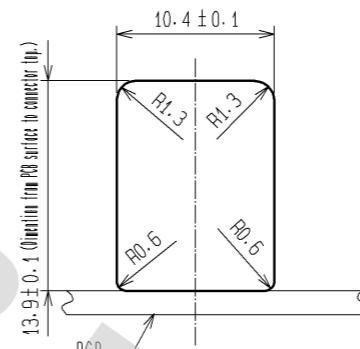
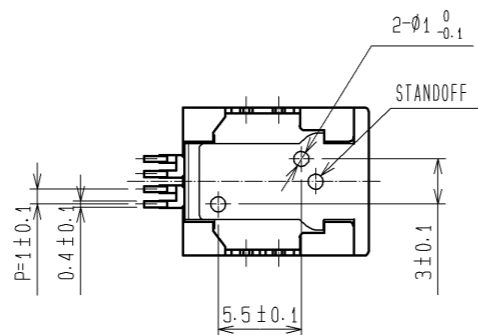
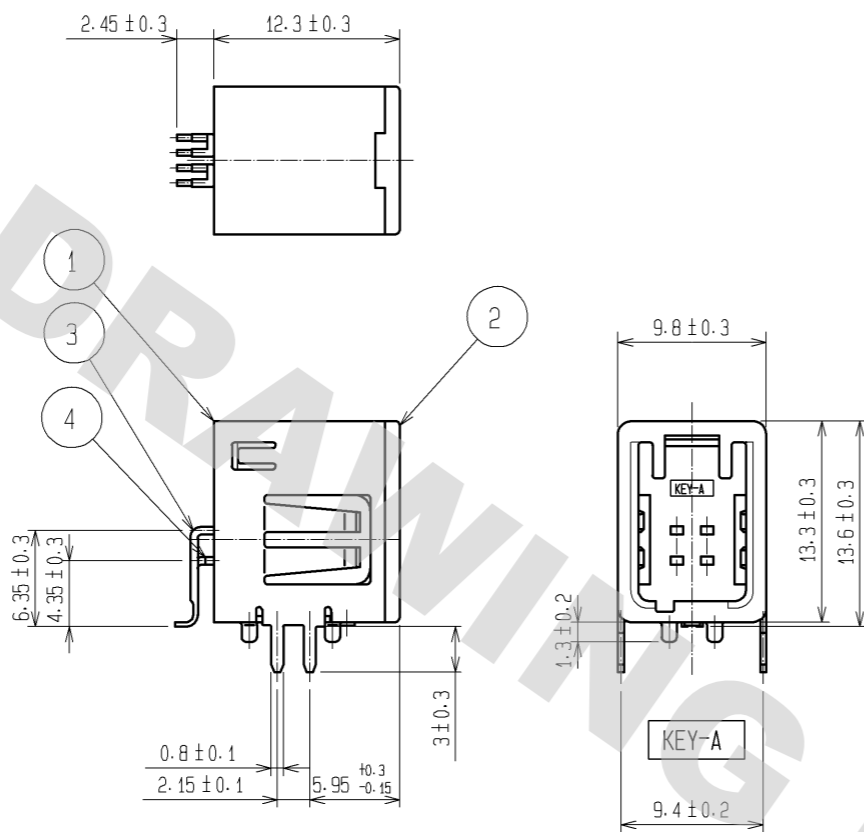
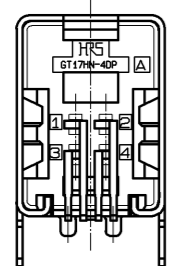
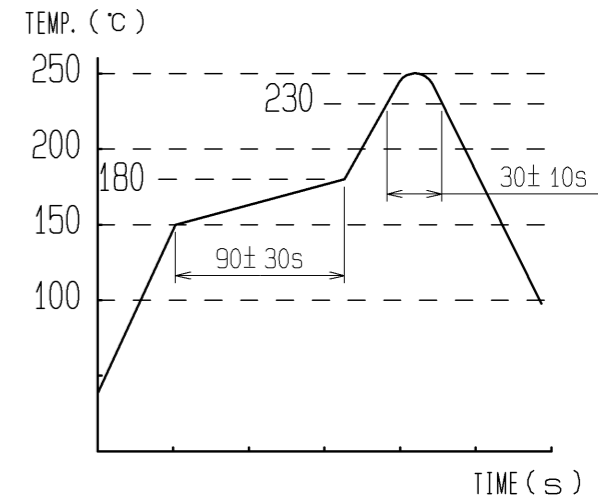


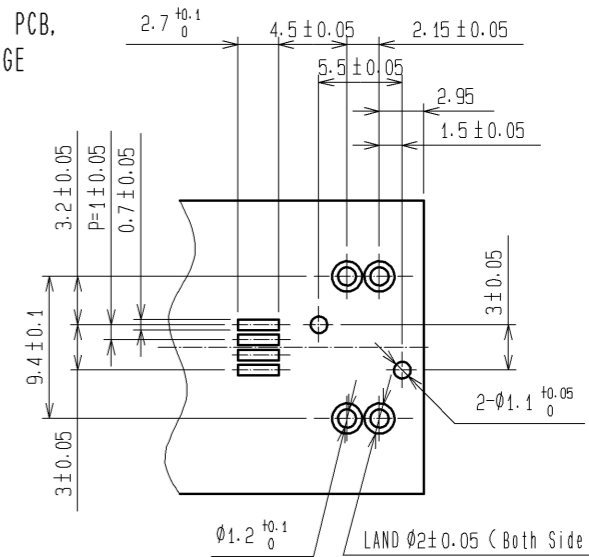
RoHS, ELV COMPLIANT

NOTES

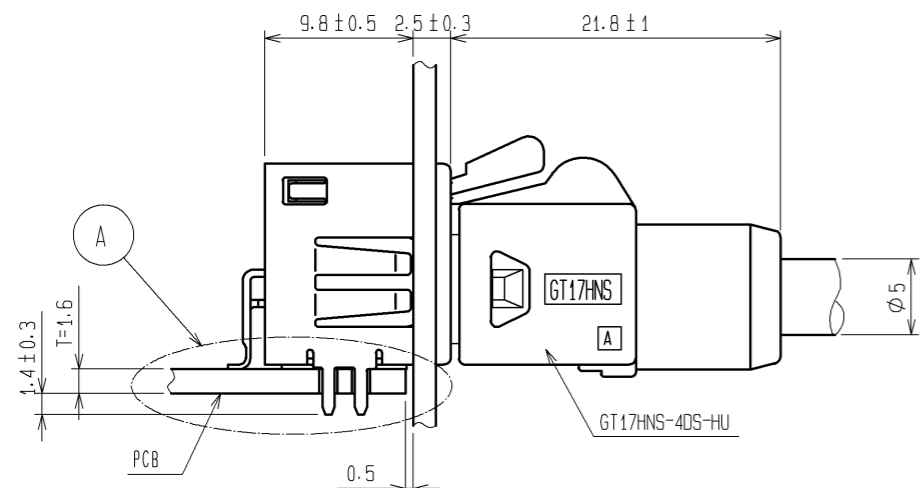
- 1) SMT COPLANARITY: 0.1mm MAX.
- 2) RECOMMENDED THICKNESS OF SOLDERING PASTE: 0.12mm
- 3) RECOMMENDED REFLOW PROFILE (SEE RIGHT GRAPH)
TYPE: IR REFLOW
ATMOSPHERE: AIR OR N2
CYCLE TIME: UP TO 2 CYCLES OF REFLOW SOLDERING ARE POSSIBLE UNDER THE CONDITIONS, PROVIDED THAT THERE IS A RETURN TO NOMAL TEMPERATURE BETWEEN THE FIRST AND SECOND CYCLE.
PEAK TEMPERATURE: 250°C
230°C MIN. FOR 10 TO 30 SECONDS.
PREHEATING AREA 150°C FOR 60 TO 120 SECONDS.
- 4) HAND SOLDERING: 280-300°C, 2S MAX.
- 5) CONTACT COPLANARITY: 0.1mm MAX.
- 6) RECOMMENDED THICKNESS OF PCB: 1.6mm
- 7) FOR THE PREVENTION EXCESSIVE STRESS FOR CONNECTOR AND PCB, WE RECOMMEND ADDITIONAL SUPPORT MECHANISM IF THE FLANGE WAS ELIMINATED.



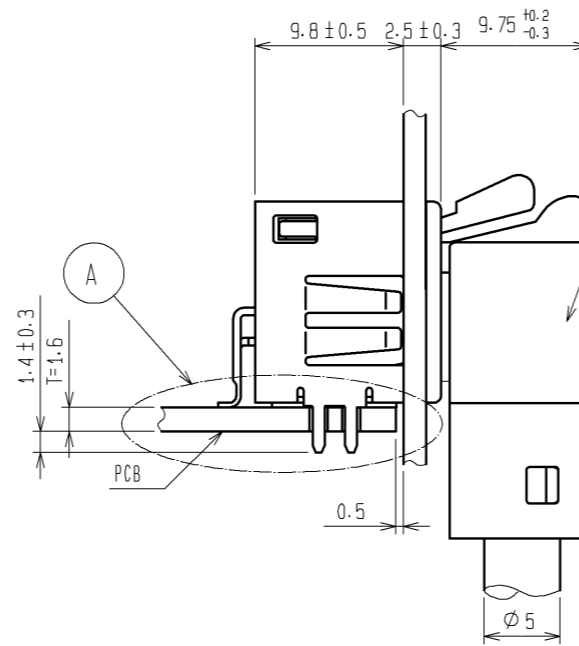
RECOMMENDED PANEL LAYOUT



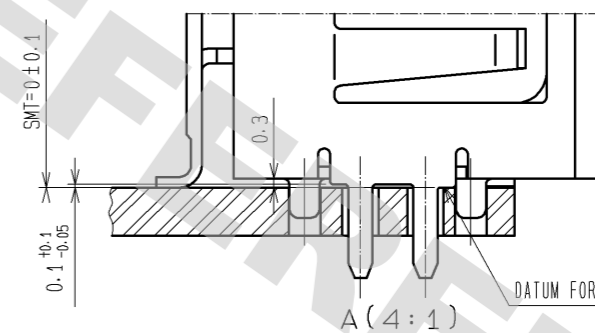
RECOMMENDED PCB LAYOUT



IN COMBINATION WITH STRAIGHT CONNECTOR



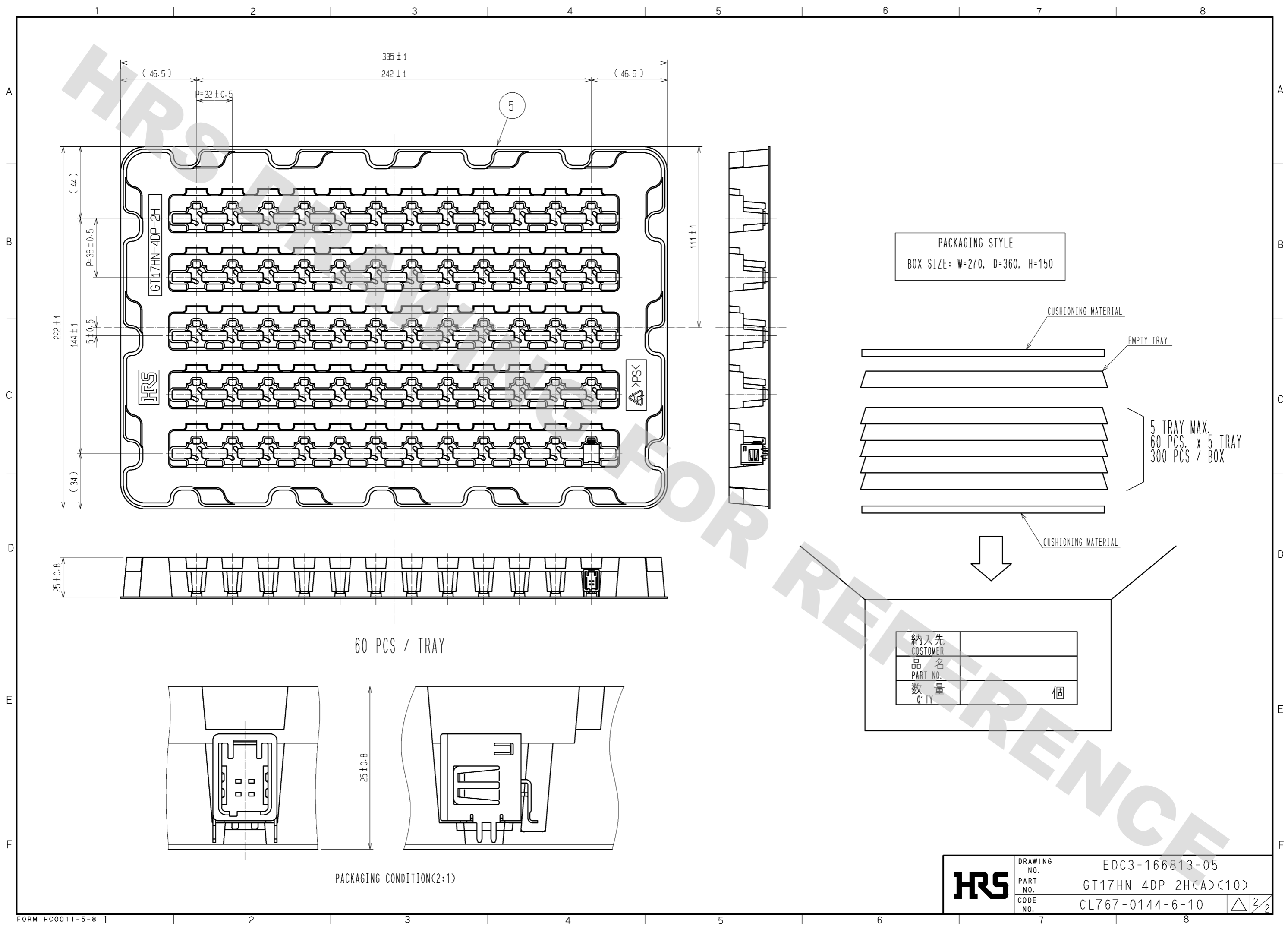
IN COMBINATION WITH RIGHT-ANGLE CONNECTOR



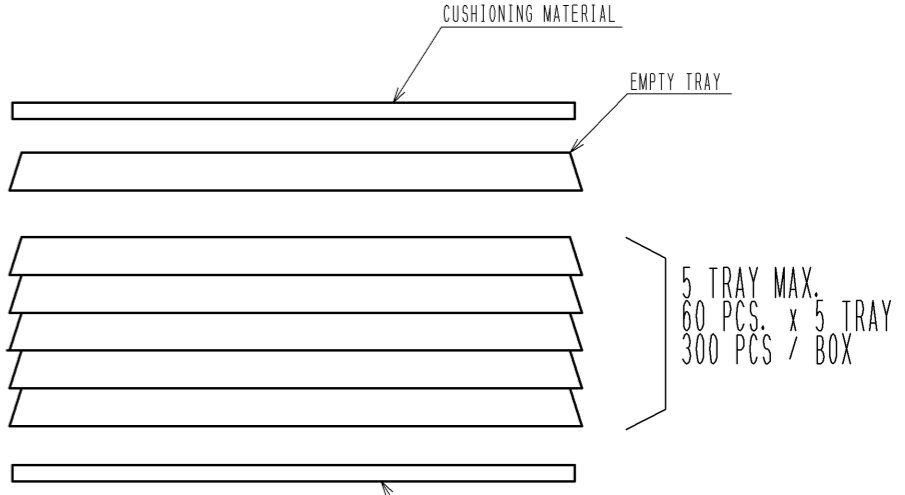
2	PPS	BROWN	5	PS	NATURAL		
1	COPPER ALLOY	TIN PLATING	4	BRASS	TIN PLATING		
			3	BRASS	TIN PLATING		
NO.	MATERIAL	FINISH . REMARKS	NO.	MATERIAL	FINISH . REMARKS		
UNITS	⊙	SCALE	COUNT	DESCRIPTION OF REVISIONS	DESIGNED	CHECKED	DATE
mm		2 : 1	△				
APPROVED : AR. SHIRAI			10.02.16	DRAWING NO. EDC3-166813-05			
CHECKED : AR. SHIRAI			10.02.16	PART NO. GT17HN-4DP-2H(A)<10>			
DESIGNED : NH. NAKATA			10.02.16	CODE NO. CL767-0144-6-10			
DRAWN : NH. NAKATA			10.02.16	△ 1/2			

DRAWING FOR REFERENCE: This is subject to change without notice
08/11/2012

DRAWING FOR REFERENCE: This is subject to change without notice
08/11/2012



PACKAGING STYLE
BOX SIZE: W=270, D=360, H=150



納入先 CUSTOMER	
品名 PART NO.	
数量 QTY	個

HRS	DRAWING NO.	EDC3-166813-05
	PART NO.	GT17HN-4DP-2H(A)(10)
	CODE NO.	CL767-0144-6-10
		\triangle 2/2

X-ON Electronics

Largest Supplier of Electrical and Electronic Components

Click to view similar products for [Automotive Connectors](#) category:

Click to view products by [Hirose](#) manufacturer:

Other Similar products are found below :

[003-018-000](#) [60403001](#) [60993906-B](#) [M902-2131](#) [M902-2161](#) [72.330.1035.1](#) [73.353.4028.0](#) [F119300-B](#) [F166900](#) [F258300-B](#) [F358300-B](#)
[F407400](#) [F444110](#) [F487000](#) [F509500B-B](#) [827153-1](#) [8N1515-32-24P](#) [9-1326729-8](#) [925474-1](#) [928905-1](#) [964562-4](#) [968782-1](#) [GT17SA-8DS-](#)
[HU](#) [98891-1012](#) [98947-1016](#) [12004475-L](#) [12010290](#) [12010309-B](#) [12015454](#) [12020219-B](#) [12020308](#) [12041318-B](#) [12052225-L](#) [12052466](#)
[12059125](#) [12064869](#) [12004327-B](#) [12010503-B](#) [12015308](#) [12015384](#) [12015909](#) [1-21030-1](#) [12041254](#) [12041318](#) [12047946-B](#) [12047957](#)
[12047957-L](#) [12059473](#) [12066261](#) [12110546](#)