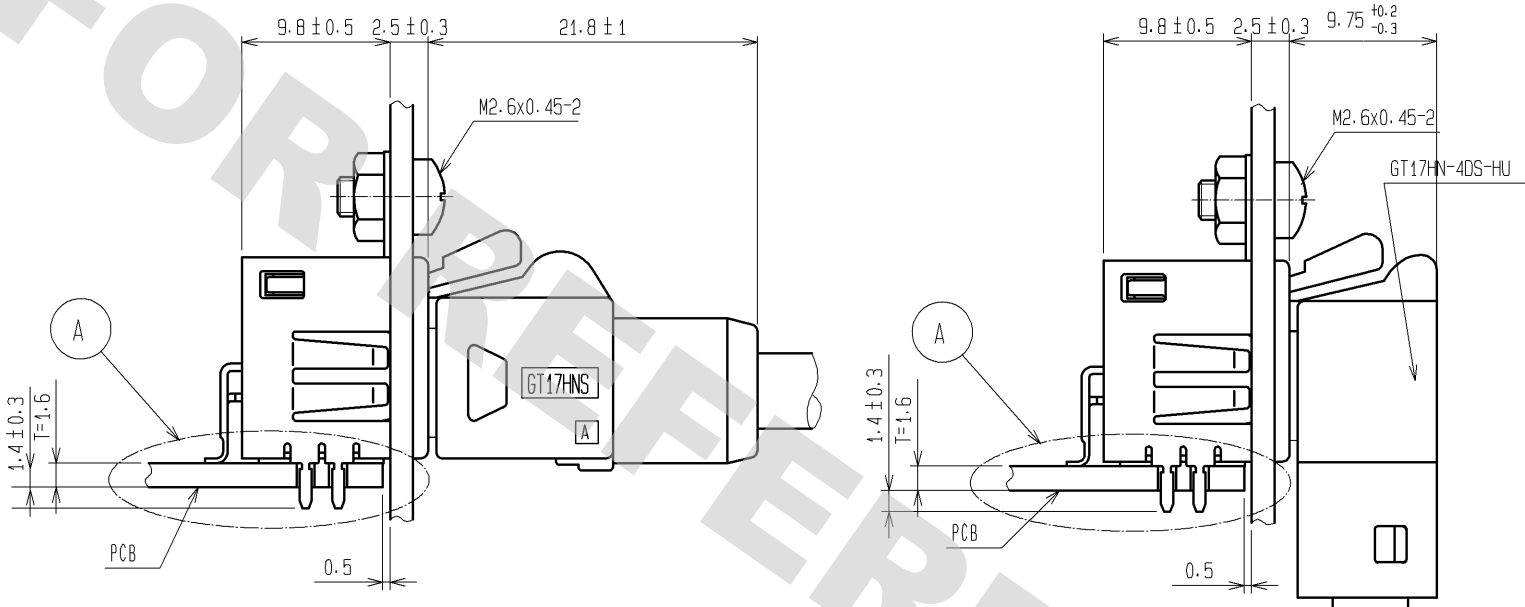
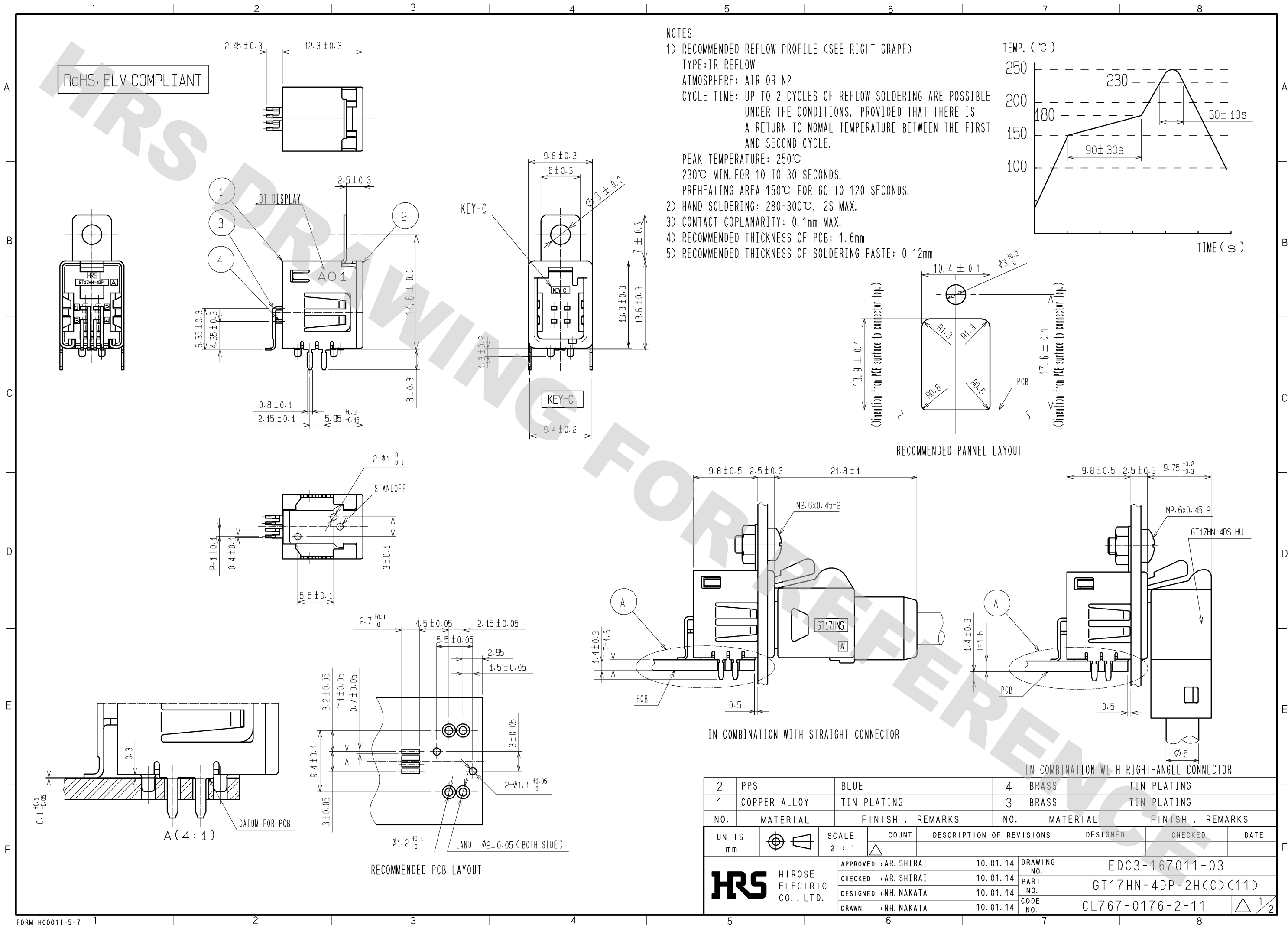
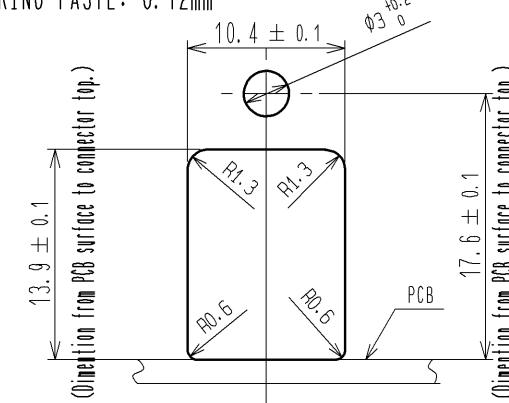
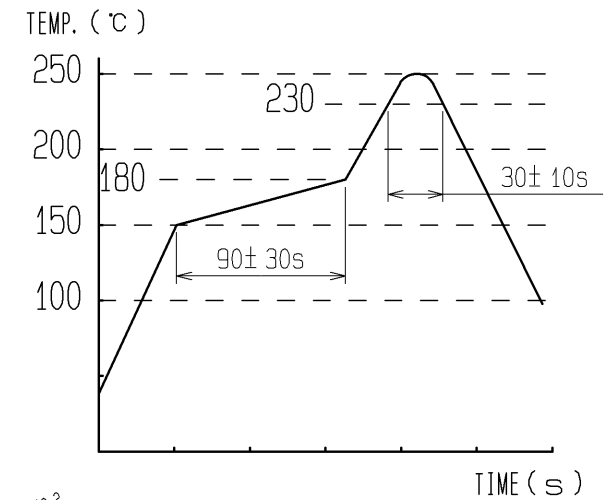


DRAWING FOR REFERENCE: This is subject to change without notice
08/11/2012

RoHS, ELV COMPLIANT

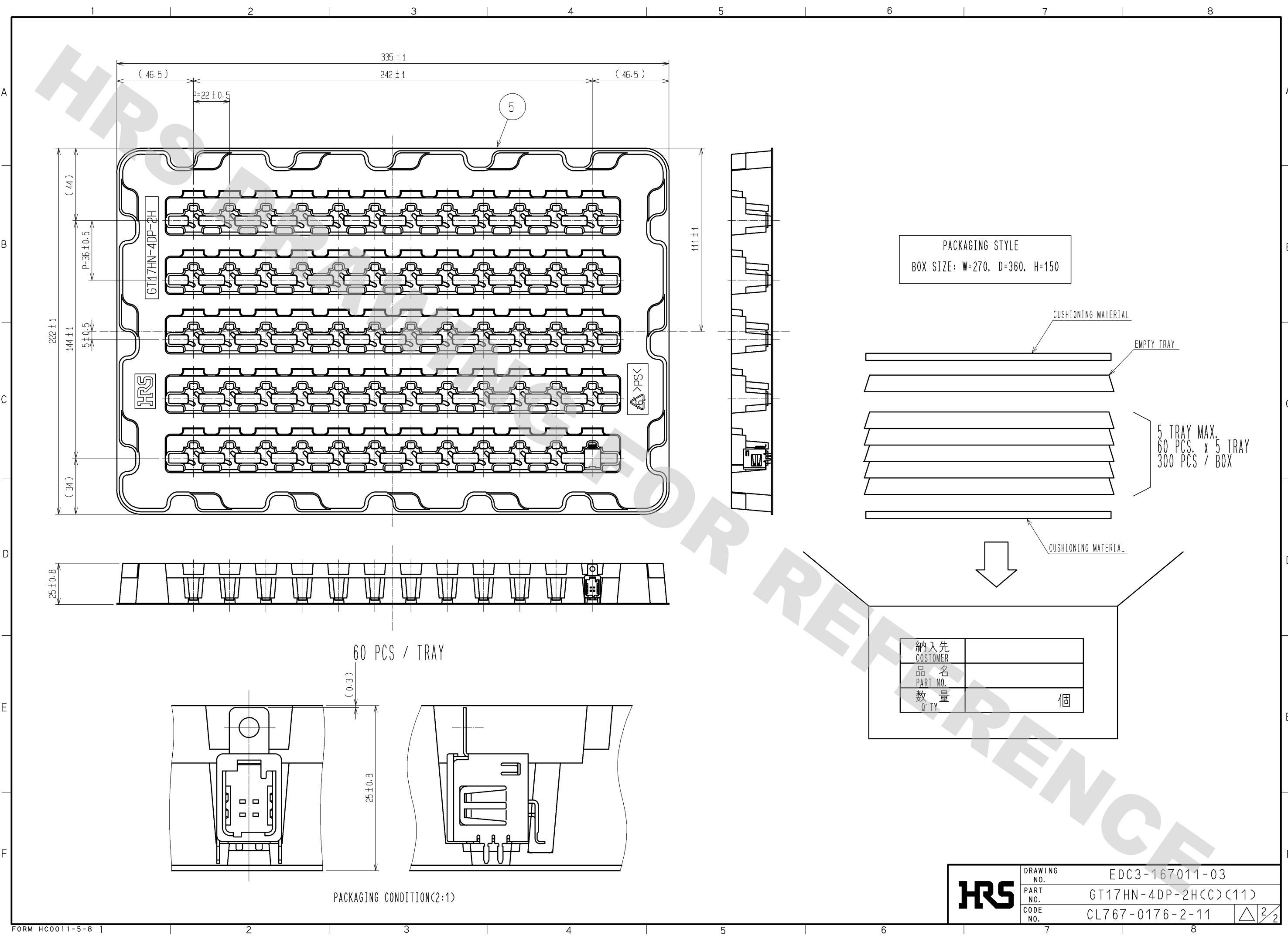
NOTES

- 1) RECOMMENDED REFLOW PROFILE (SEE RIGHT GRAPH)
TYPE: IR REFLOW
ATMOSPHERE: AIR OR N₂
CYCLE TIME: UP TO 2 CYCLES OF REFLOW SOLDERING ARE POSSIBLE UNDER THE CONDITIONS, PROVIDED THAT THERE IS A RETURN TO NORMAL TEMPERATURE BETWEEN THE FIRST AND SECOND CYCLE.
PEAK TEMPERATURE: 250°C
230°C MIN. FOR 10 TO 30 SECONDS.
PREHEATING AREA 150°C FOR 60 TO 120 SECONDS.
- 2) HAND SOLDERING: 280-300°C, 2S MAX.
- 3) CONTACT COPLANARITY: 0.1mm MAX.
- 4) RECOMMENDED THICKNESS OF PCB: 1.6mm
- 5) RECOMMENDED THICKNESS OF SOLDERING PASTE: 0.12mm

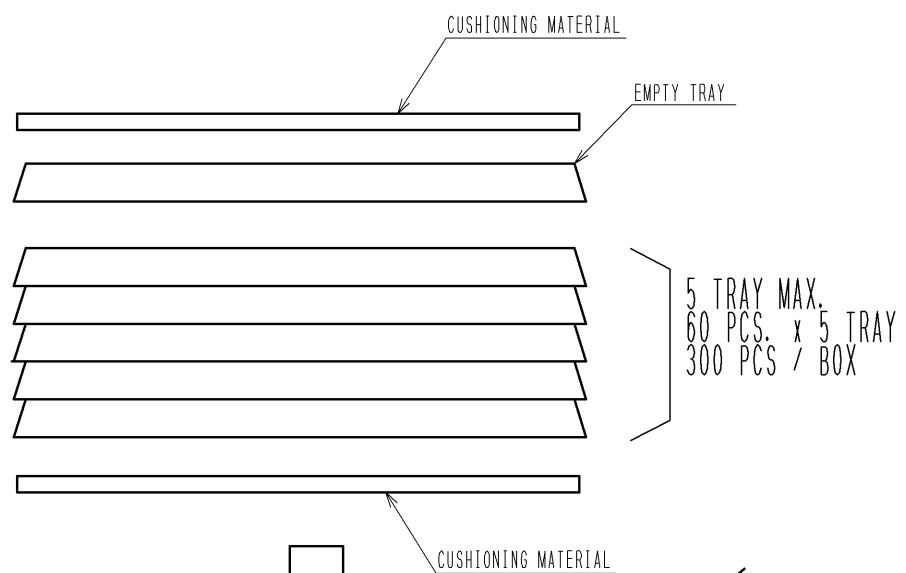


2	PPS	BLUE	4	BRASS	TIN PLATING
1	COPPER ALLOY	TIN PLATING	3	BRASS	TIN PLATING
NO.	MATERIAL	FINISH . REMARKS	NO.	MATERIAL	FINISH . REMARKS
UNITS	mm	SCALE	2 : 1	COUNT	DESCRIPTION OF REVISIONS
				DESIGNED	CHECKED
				DATE	
APPROVED : AR. SHIRAI			10.01.14		
CHECKED : AR. SHIRAI			10.01.14		
DESIGNED : NH. NAKATA			10.01.14		
DRAWN : NH. NAKATA			10.01.14		
DRAWING NO.			EDC3-167011-03		
PART NO.			GT17HN-4DP-2H(C)(11)		
CODE NO.			CL767-0176-2-11		

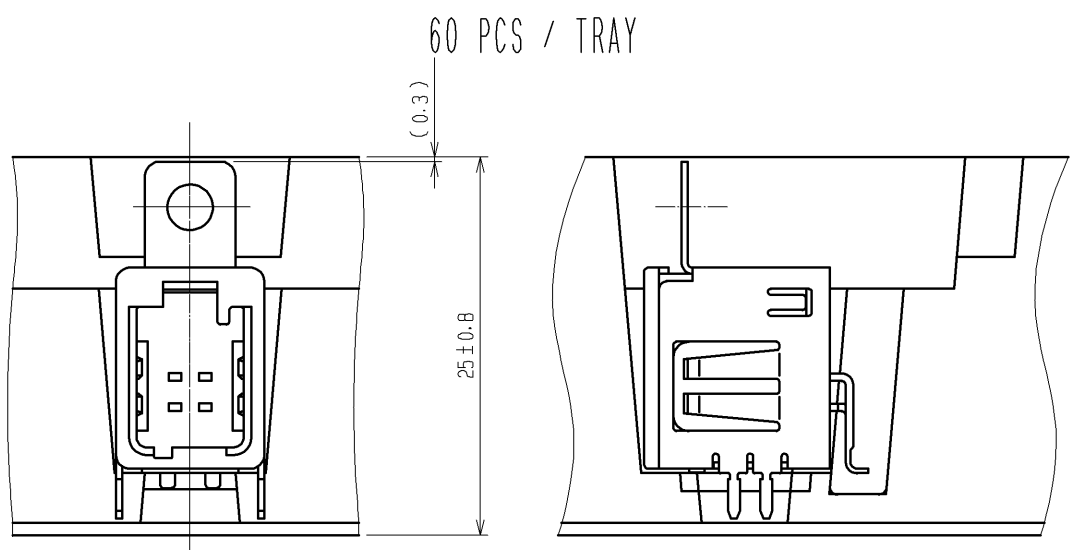
DRAWING FOR REFERENCE: This is subject to change without notice
08/11/2012



PACKAGING STYLE
BOX SIZE: W=270, D=360, H=150



納入先 CUSTOMER	
品名 PART NO.	
数量 QTY	個



PACKAGING CONDITION(2:1)

HRS	DRAWING NO.	EDC3-167011-03
	PART NO.	GT17HN-4DP-2H(C)(11)
	CODE NO.	CL767-0176-2-11
		△ 2/2

X-ON Electronics

Largest Supplier of Electrical and Electronic Components

Click to view similar products for [Automotive Connectors](#) category:

Click to view products by [Hirose](#) manufacturer:

Other Similar products are found below :

[003-018-000](#) [60403001](#) [60993906-B](#) [M902-2131](#) [M902-2161](#) [72.330.1035.1](#) [73.353.4028.0](#) [F119300-B](#) [F166900](#) [F258300-B](#) [F358300-B](#)
[F407400](#) [F444110](#) [F487000](#) [F509500B-B](#) [827153-1](#) [8N1515-32-24P](#) [9-1326729-8](#) [925474-1](#) [928905-1](#) [964562-4](#) [968782-1](#) [GT17SA-8DS-](#)
[HU](#) [98891-1012](#) [98947-1016](#) [12004475-L](#) [12010290](#) [12010309-B](#) [12015454](#) [12020219-B](#) [12020308](#) [12041318-B](#) [12052225-L](#) [12052466](#)
[12059125](#) [12064869](#) [12004327-B](#) [12010503-B](#) [12015308](#) [12015384](#) [12015909](#) [1-21030-1](#) [12041254](#) [12041318](#) [12047946-B](#) [12047957](#)
[12047957-L](#) [12059473](#) [12066261](#) [12110546](#)