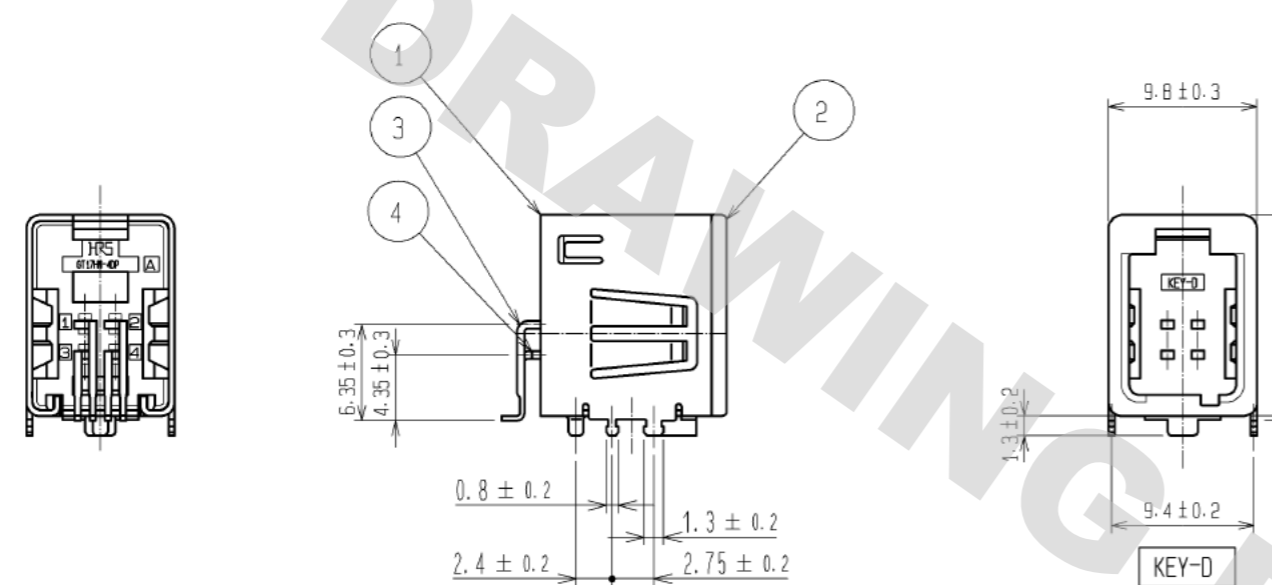
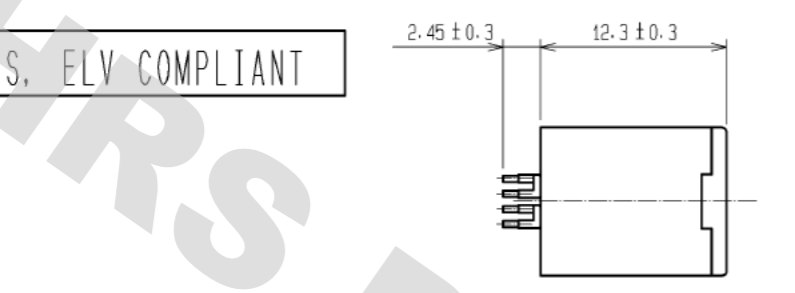


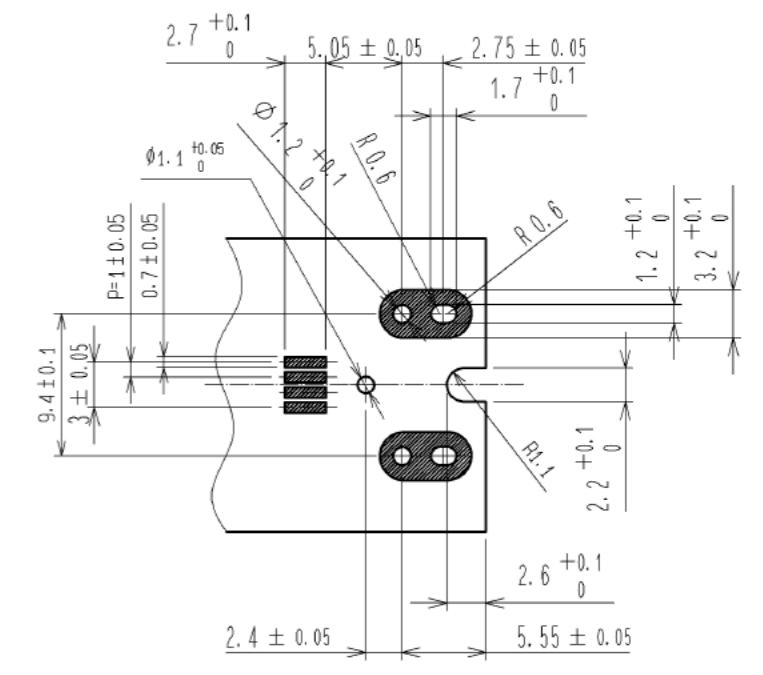
DRAWING FOR REFERENCE: This is subject to change without notice  
05/31/2013

RoHS, ELV COMPLIANT

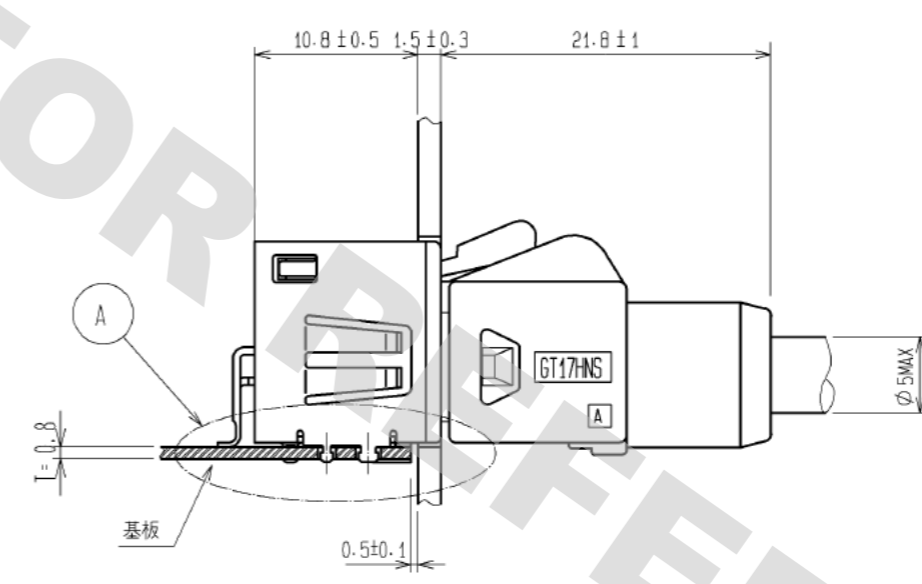
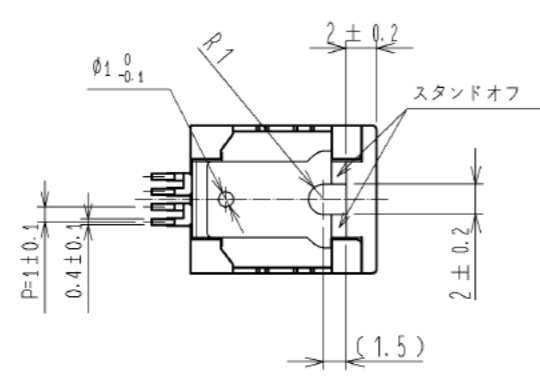


DIMENSION FROM PCB SURFACE TO CONNECTOR TOP

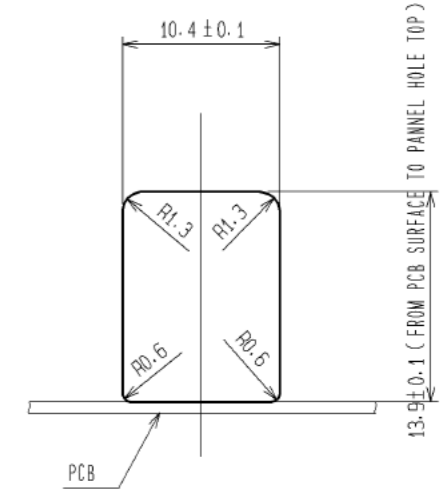
KEY-D



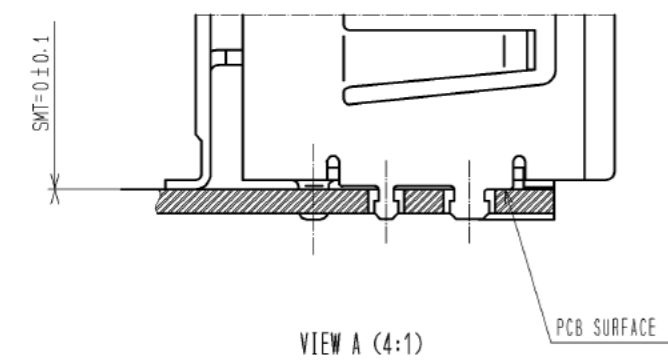
RECOMMENDED PCB LAYOUT



MATED CONNECTORS



PANNEL LAYOUT



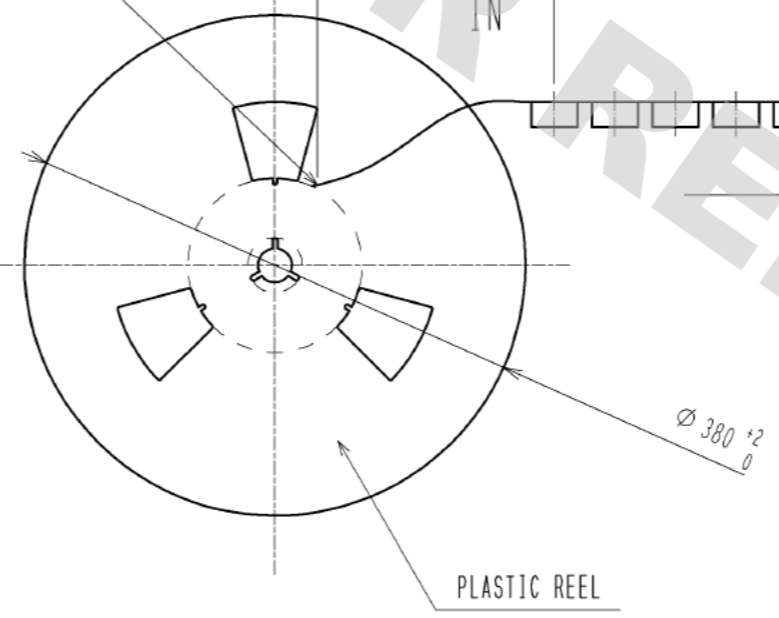
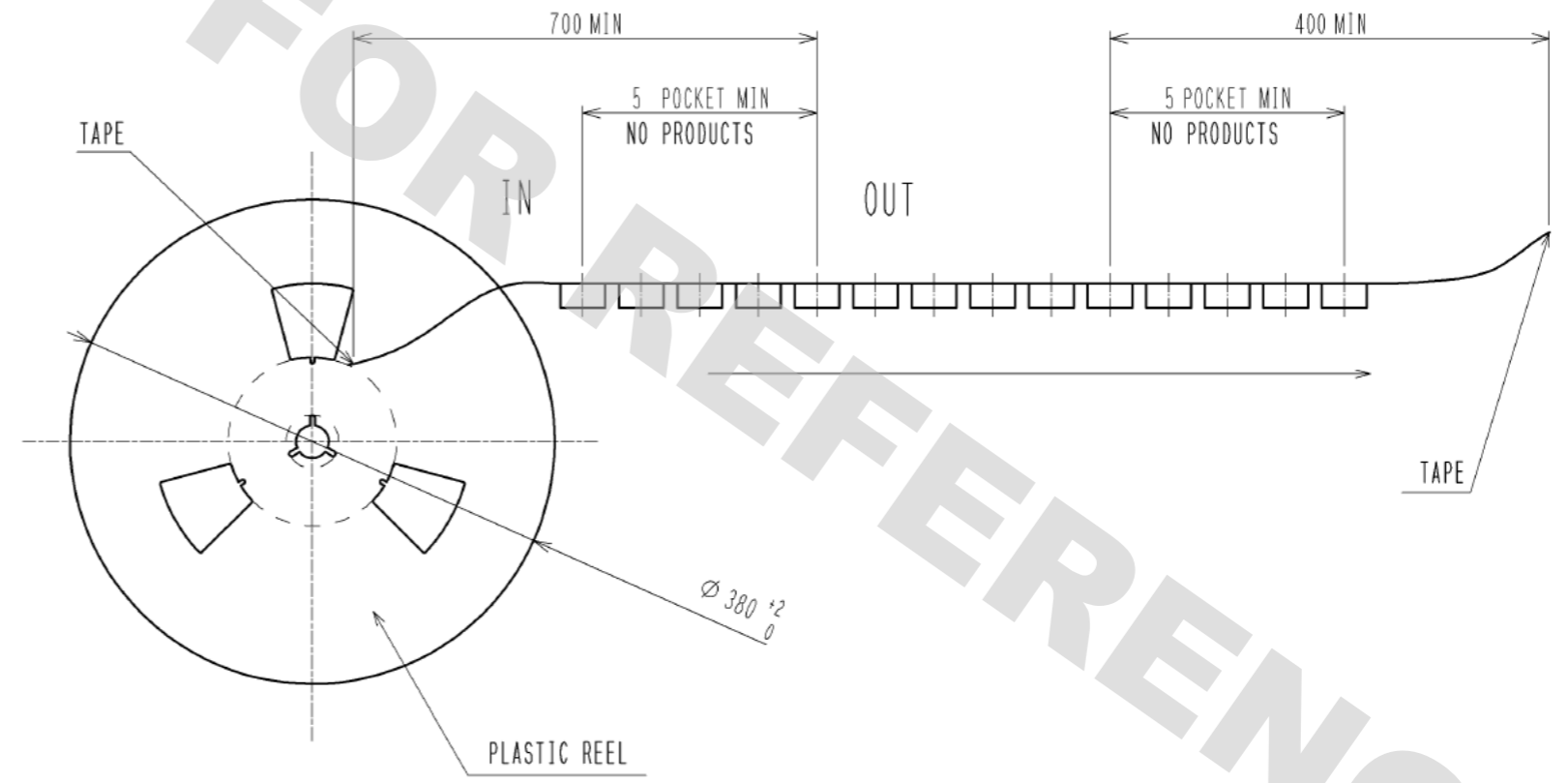
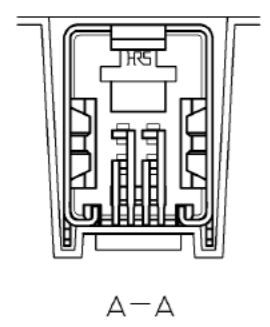
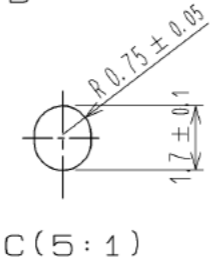
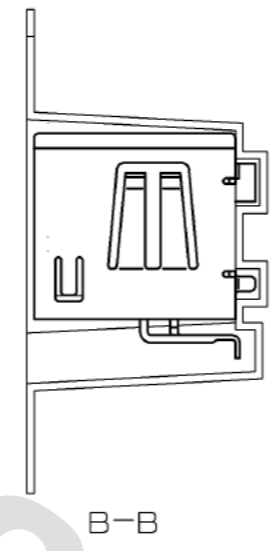
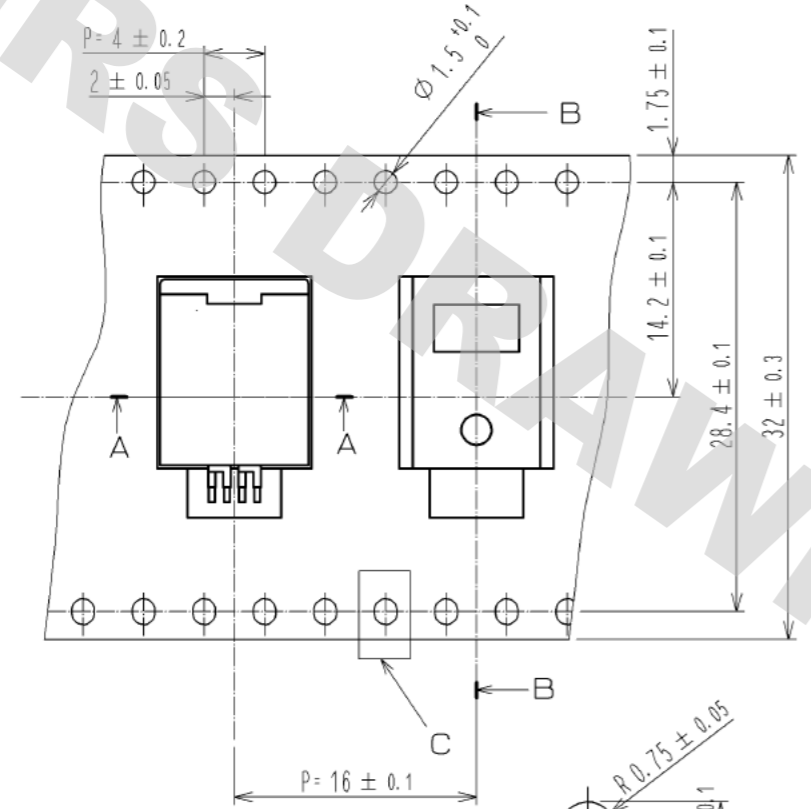
VIEW A (4:1)

NOTE 1. COPLANARITY: 0.1 MAX.  
NOTE 2. RECOMMENDED SOLDER THICKNESS: 0.15mm

2	PPS	BLACK	4	BRASS	TIN PLATING
1	COPPER ALLOY	TIN PLATING	3	BRASS	TIN PLATING
NO.	MATERIAL	FINISH . REMARKS	NO.	MATERIAL	FINISH . REMARKS
UNITS	mm	SCALE	2 : 1	COUNT	△
DESCRIPTION OF REVISIONS		DESIGNED	CHECKED	DATE	
APPROVED : AR. SHIRAI		12.09.25	DRAWING NO. EDC3-168956-01		
CHECKED : AR. SHIRAI		12.09.25	PART NO. GT17HN-4DP-2H(D)(14)		
DESIGNED : TS. KUBOTA		12.09.25	CODE NO. CL767-0276-7-14		
DRAWN : TS. KUBOTA		12.09.25	△ 1/2		

DRAWING FOR REFERENCE: This is subject to change without notice  
05/31/2013

IN REEL DIRECTION OUT



PACKAGE STYLE  
NOTE 1. 300 PCS / REEL  
NOTE 2. TOP COVER TAPE PEEL FORCE TO BE 0.1 TO 0.7 N AFTER SEALING.

<b>HRS</b>	DRAWING NO.	EDC3-168956-01	△ 2/2
	PART NO.	GT17HN-4DP-2H(D)(14)	
	CODE NO.	CL767-0276-7-14	

## X-ON Electronics

Largest Supplier of Electrical and Electronic Components

*Click to view similar products for [Automotive Connectors](#) category:*

*Click to view products by [Hirose](#) manufacturer:*

Other Similar products are found below :

[003-018-000](#) [60403001](#) [60993906-B](#) [M902-2131](#) [M902-2161](#) [72.330.1035.1](#) [73.353.4028.0](#) [F119300-B](#) [F166900](#) [F258300-B](#) [F358300-B](#)  
[F407400](#) [F444110](#) [F487000](#) [F509500B-B](#) [827153-1](#) [8N1515-32-24P](#) [9-1326729-8](#) [925474-1](#) [928905-1](#) [964562-4](#) [968782-1](#) [GT17SA-8DS-](#)  
[HU](#) [98891-1012](#) [98947-1016](#) [12004475-L](#) [12010290](#) [12010309-B](#) [12015454](#) [12020219-B](#) [12020308](#) [12041318-B](#) [12052225-L](#) [12052466](#)  
[12059125](#) [12064869](#) [12004327-B](#) [12010503-B](#) [12015308](#) [12015384](#) [12015909](#) [1-21030-1](#) [12041254](#) [12041318](#) [12047946-B](#) [12047957](#)  
[12047957-L](#) [12059473](#) [12066261](#) [12110546](#)