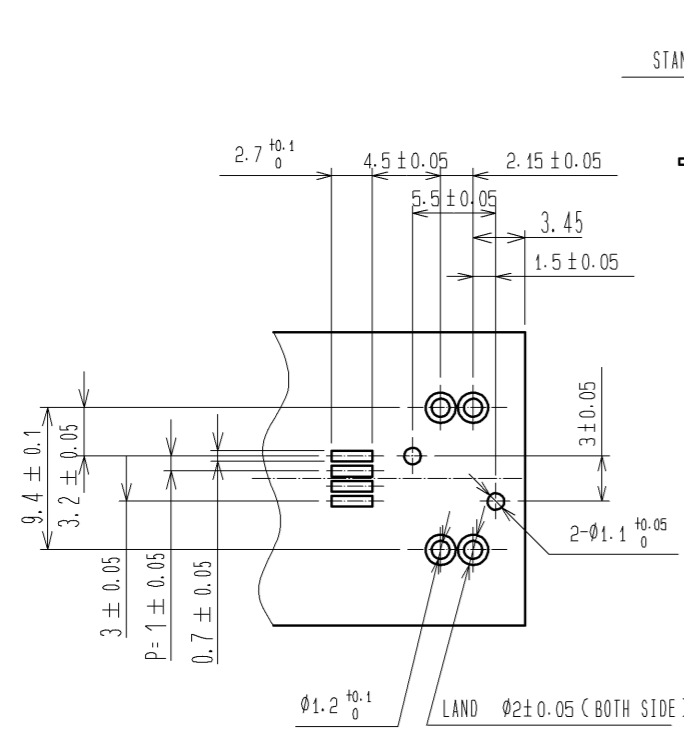
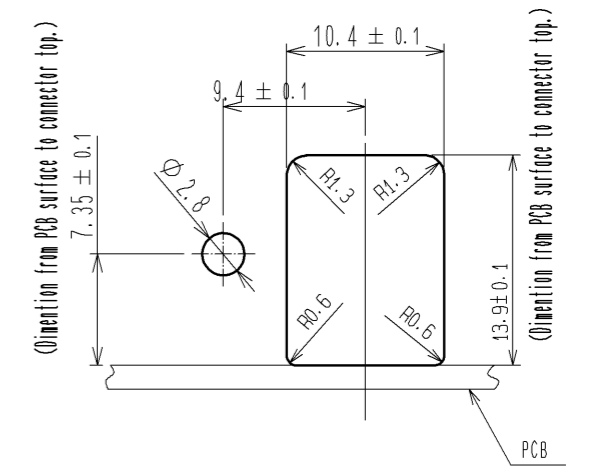
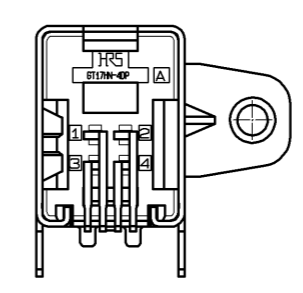
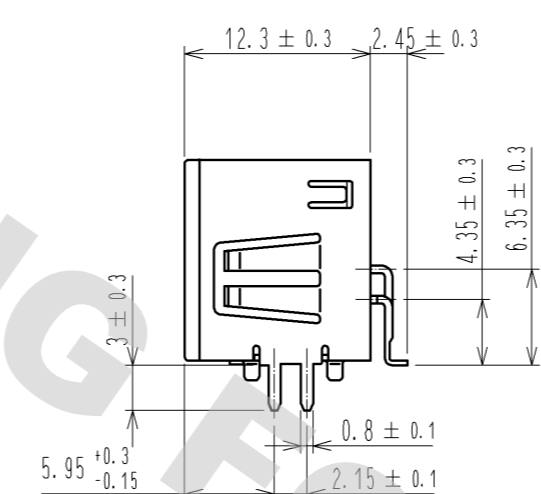
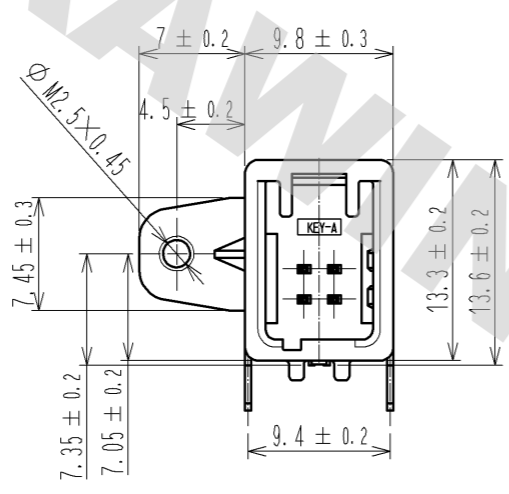
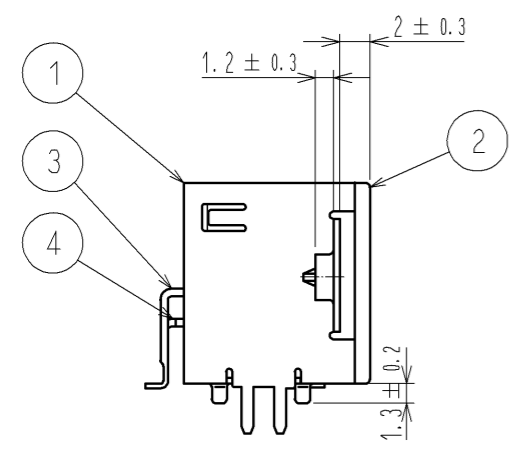
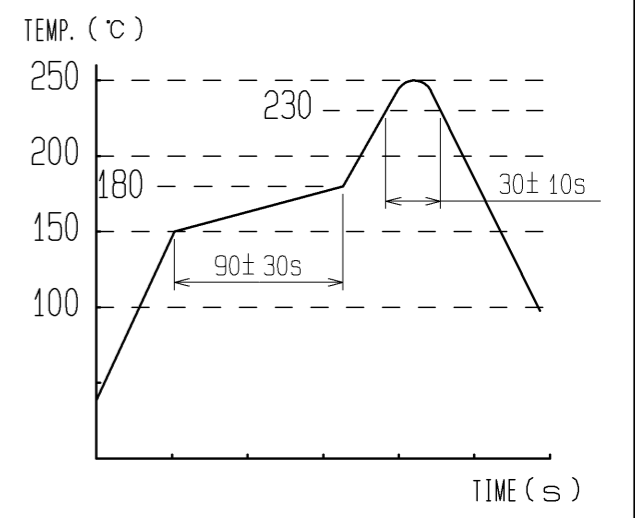
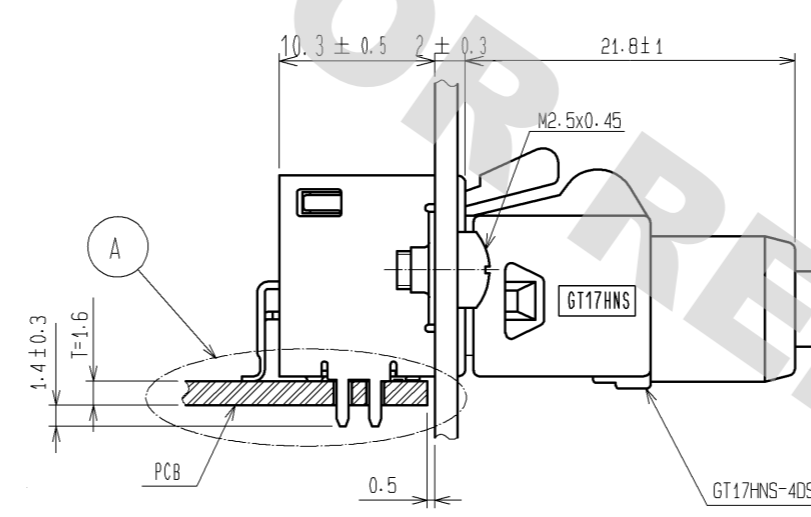
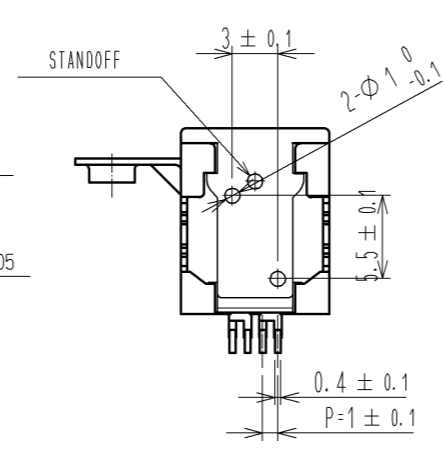


RoHS, ELV COMPLIANT

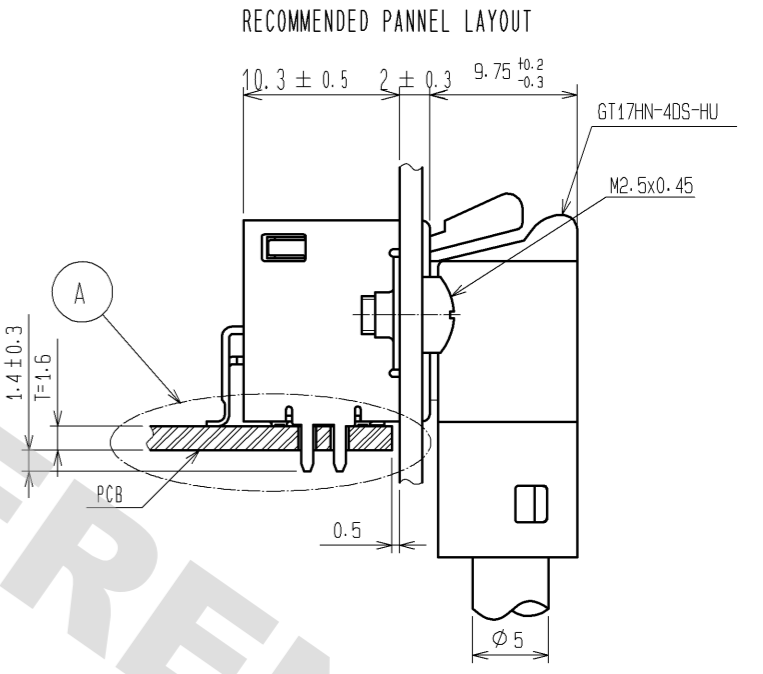
NOTES  
 1) RECOMMENDED REFLOW PROFILE (SEE RIGHT GRAPH)  
 TYPE: IR REFLOW  
 ATMOSPHERE: AIR OR N2  
 CYCLE TIME: UP TO 2 CYCLES OF REFLOW SOLDERING ARE POSSIBLE UNDER THE CONDITIONS, PROVIDED THAT THERE IS A RETURN TO NORMAL TEMPERATURE BETWEEN THE FIRST AND SECOND CYCLE.  
 PEAK TEMPERATURE: 250°C  
 230°C MIN. FOR 20 TO 40 SECONDS.  
 PREHEATING AREA 150~180°C FOR 60 TO 120 SECONDS.  
 2) HAND SOLDERING: 280-300°C, 2S MAX.  
 3) CONTACT COPLANARITY: 0.1mm MAX.  
 4) RECOMMENDED THICKNESS OF PCB: 1.6mm  
 5) RECOMMENDED THICKNESS OF SOLDERING PASTE: 0.15mm



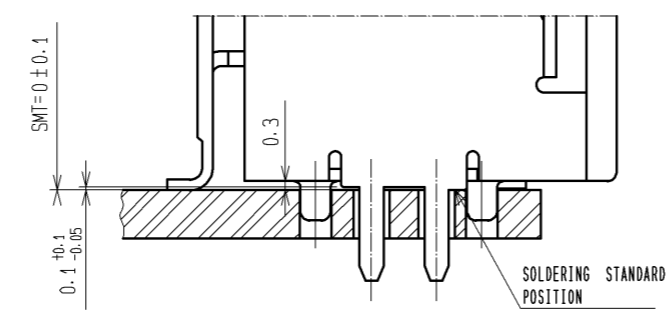
RECOMMENDED PCB LAYOUT



IN COMBINATION WITH STRAIGHT CONNECTOR



RECOMMENDED PANEL LAYOUT



A(4:1)

2	PPS	BROWN	4	BRASS	TIN PLATING
1	COPPER ALLOY	TIN PLATING	3	BRASS	TIN PLATING
NO.	MATERIAL	FINISH . REMARKS	NO.	MATERIAL	FINISH . REMARKS
UNITS	mm	SCALE	2 : 1	COUNT	DESCRIPTION OF REVISIONS
				DESIGNED	CHECKED
				DATE	
APPROVED : AR. SHIRAI			11.02.25		
CHECKED : NH. NAKATA			11.02.24		
DESIGNED : MH. SHOUJI			11.02.23		
DRAWN : MH. SHOUJI			11.02.23		
DRAWING NO.		EDC3-167675-00			
PART NO.		GT17HNL-4DP-2H(A)			
CODE NO.		CL767-0229-7-00			

DRAWING FOR REFERENCE: This is subject to change without notice  
08/11/2012

## X-ON Electronics

Largest Supplier of Electrical and Electronic Components

*Click to view similar products for [Automotive Connectors](#) category:*

*Click to view products by [Hirose](#) manufacturer:*

Other Similar products are found below :

[003-018-000](#) [60403001](#) [60993906-B](#) [M902-2131](#) [M902-2161](#) [72.330.1035.1](#) [73.353.4028.0](#) [F119300-B](#) [F166900](#) [F258300-B](#) [F358300-B](#)  
[F407400](#) [F444110](#) [F487000](#) [F509500B-B](#) [827153-1](#) [8N1515-32-24P](#) [9-1326729-8](#) [925474-1](#) [928905-1](#) [964562-4](#) [968782-1](#) [GT17SA-8DS-](#)  
[HU](#) [98891-1012](#) [98947-1016](#) [12004475-L](#) [12010290](#) [12010309-B](#) [12015454](#) [12020219-B](#) [12020308](#) [12041318-B](#) [12052225-L](#) [12052466](#)  
[12059125](#) [12064869](#) [12004327-B](#) [12010503-B](#) [12015308](#) [12015384](#) [12015909](#) [1-21030-1](#) [12041254](#) [12041318](#) [12047946-B](#) [12047957](#)  
[12047957-L](#) [12059473](#) [12066261](#) [12110546](#)