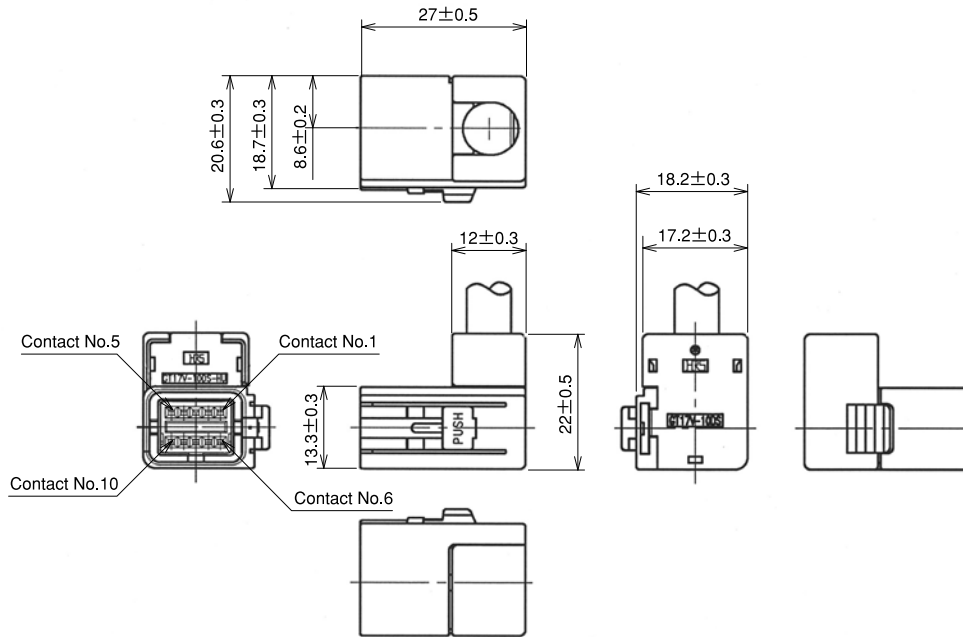


10-Conductor Right-angle Connectors

◆By using each of the two differently keyed types of housing for different purposes, incorrect insertion can be prevented.



◆The product comprises 6 parts.

(Housing, insulator, outer terminal, shield plate, retainer, and center terminal)

● Housing

| Part Number | HRS No. | Material / Finish or Color | Packaging | Remarks | RoHS |
|----------------|------------|----------------------------|-----------|---------|------|
| GT17V-10DS-HU | 767-0039-1 | PBT / Light Gray | 1piece | — | YES |
| GT17VA-10DS-HU | 767-0040-0 | PBT / Black | 1piece | — | |

● Insulator

| Part Number | HRS No. | Material / Finish or Color | Packaging | Remarks | RoHS |
|---------------|------------|----------------------------|-----------|---------|------|
| GT17V-10DS-2C | 767-0036-3 | PBT / Dark Gray | 1piece | — | YES |

● Outer terminal

| Part Number | HRS No. | Material / Finish or Color | Packaging | Remarks | RoHS |
|----------------|------------|----------------------------|-----------|--|------|
| GT17V-10DS-8CF | 767-0037-6 | Copper alloy / Tin plating | 1piece | Lead free, Conductor Size 7.5 to 8.0mm | YES |

● Shield plate

| Part Number | HRS No. | Material / Finish or Color | Packaging | Remarks | RoHS |
|---------------|------------|----------------------------|-----------|-----------|------|
| GT17V-10DS-SC | 767-0038-9 | Copper alloy / Tin plating | 1piece | Lead free | YES |

● Retainer

| Part Number | HRS No. | Material / Finish or Color | Packaging | Remarks | RoHS |
|--------------|------------|----------------------------|-----------|---------|------|
| GT17V-10DS-R | 767-0041-3 | PBT / Dark Gray | 1piece | — | YES |

● Center terminal

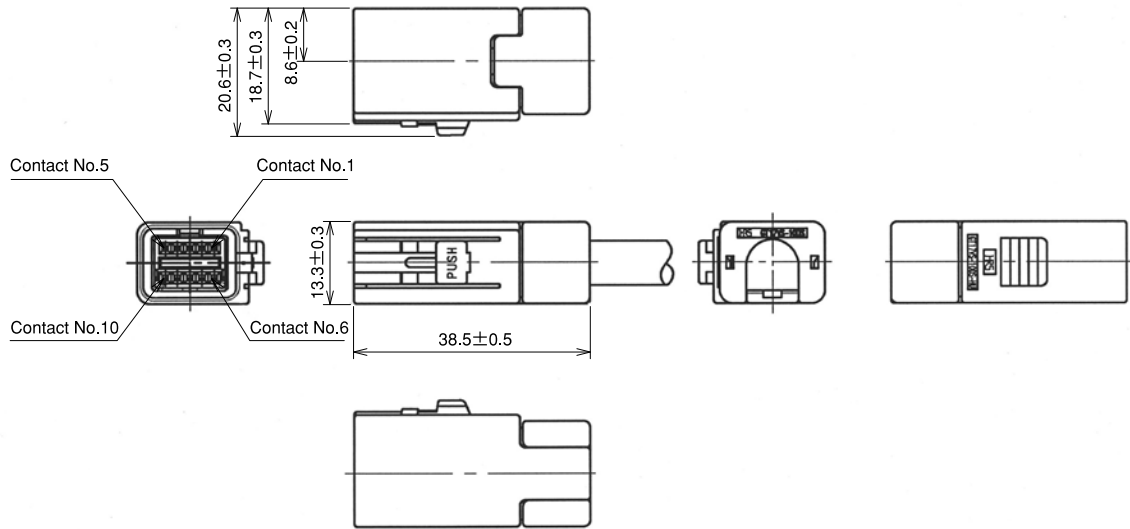
Used with 6, 8, and 10 conductor cable

◆ Mating Table

| Color | Cable side connector | Board connector |
|-------|----------------------|---|
| Gray | GT17V-10DS-HU | GT17V-10DP-DS(70)(Cable exit direction, up side from mounting side) |
| | | GT17V-10DP-DSA(70)(straight DIP type) |
| | | GT17V-10DP-DS-SB(70)(Cable exit direction, up side from mounting side) |
| Black | GT17VA-10DS-HU | GT17VA-10DP-DS(70)(Cable exit direction, up side from mounting side) |
| | | GT17VA-10DP-DSA(70)(straight DIP type) |
| | | GT17VA-10DP-DS-SB(70)(Cable exit direction, up side from mounting side) |

10-Conductor Straight Connectors

◆By using each of the two differently keyed types of housing for different purposes, incorrect insertion can be prevented.



◆The product comprises 6 parts.

(Housing, insulator, outer terminal, shield plate, retainer, and center terminal)

● Housing

| Part Number | HRS No. | Material / Finish or Color | Packaging | Remarks | RoHS |
|-----------------|------------|----------------------------|-----------|---------|------|
| GT17VS-10DS-HU | 767-0061-0 | PBT / Light Gray | 1piece | — | YES |
| GT17VSA-10DS-HU | 767-0062-3 | PBT / Black | 1piece | — | |

● Insulator

| Part Number | HRS No. | Material / Finish or Color | Packaging | Remarks | RoHS |
|---------------|------------|----------------------------|-----------|---------|------|
| GT17V-10DS-2C | 767-0036-3 | PBT / Dark Gray | 1piece | — | YES |

● Outer terminal

| Part Number | HRS No. | Material / Finish or Color | Packaging | Remarks | RoHS |
|-----------------|------------|----------------------------|-----------|--|------|
| GT17VS-10DS-8CF | 767-0059-9 | Copper alloy / Tin plating | 1piece | Lead free, Conductor Size 7.5 to 8.0mm | YES |

● Shield plate

| Part Number | HRS No. | Material / Finish or Color | Packaging | Remarks | RoHS |
|----------------|------------|----------------------------|-----------|-----------|------|
| GT17VS-10DS-SC | 767-0060-8 | Copper alloy / Tin plating | 1piece | Lead free | YES |

● Retainer

| Part Number | HRS No. | Material / Finish or Color | Packaging | Remarks | RoHS |
|---------------|------------|----------------------------|-----------|---------|------|
| GT17VS-10DS-R | 767-0063-6 | PBT / Dark Gray | 1piece | — | YES |

● Center terminal

Used with 6,8, and 10 conductor cable

◆ Mating Table

| Color | Cable side connector | Boad connector |
|-------|----------------------|-----------------------|
| Gray | GT17VS-10DS-HU | GT17V-10DP-DS(70) |
| | | GT17V-10DP-DSA(70) |
| | | GT17V-10DP-DS-SB(70) |
| Black | GT17VSA-10DS-HU | GT17VA-10DP-DS(70) |
| | | GT17VA-10DP-DSA(70) |
| | | GT17VA-10DP-DS-SB(70) |

10-Conductor Printed Circuit Board Connectors

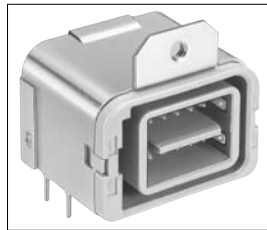
◆By using each of the two differently keyed types of housing for different purposes, incorrect insertion can be prevented.

●Right-angle type

| Part Number | HRS No. | Material / Finish or Color | Packaging | Remarks | RoHS |
|----------------------|---------------|--|-----------|----------------------------------|------|
| GT17V-10DP-DS(70) | 767-0034-8-70 | Housing: PBT/Light Gray Center terminal: Brass /Tin plating Outer tube terminal: Copper alloy /Tin plating | 1piece | — | YES |
| GT17V-10DP-DS-SB(70) | 767-0069-2-70 | Housing: PBT/Light Gray Center terminal/Shield case: Brass /Tin plating Outer tube terminal: Copper alloy /Tin plating | 1piece | Products with enhanced shielding | |

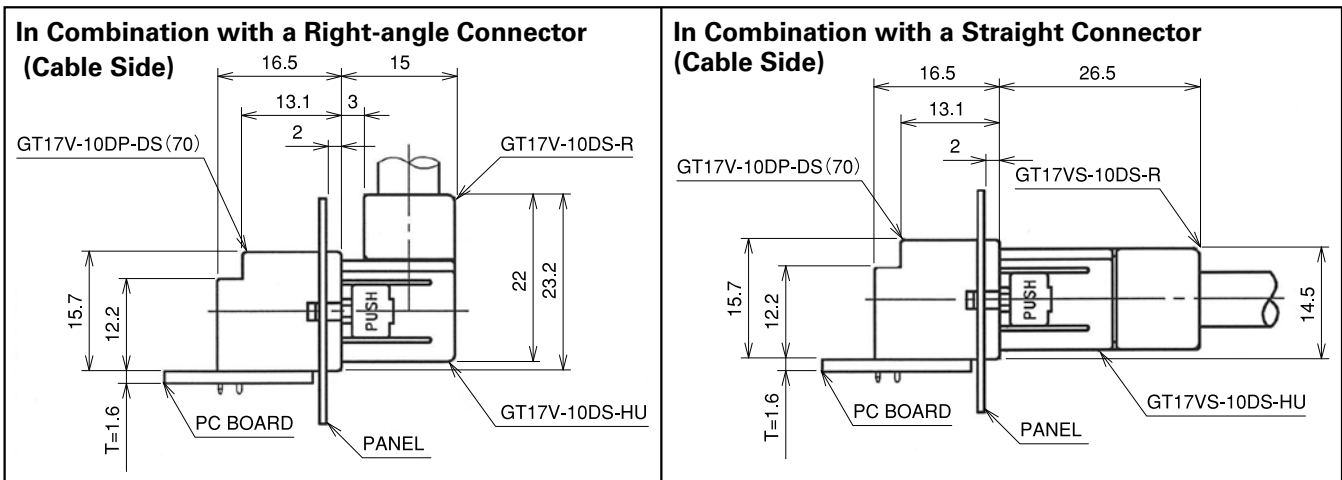


GT17V-10DP-DS(70)



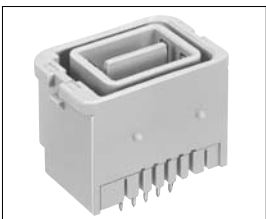
GT17V-10DP-DS-SB(70)

(with enhanced shielding type)



●Straight-type

| Part Number | HRS No. | Material / Finish or Color | Packaging | Remarks | RoHS |
|--------------------|---------------|--|-----------|---------|------|
| GT17V-10DP-DSA(70) | 767-0067-7-70 | Housing: PBT/Black Center terminal: Brass /Tin plating Outer terminal: Copper alloy /Tin plating | 1piece | — | YES |
| GT17V-10DP-DSA-SB | 767-0154-0 | Housing: PBT/Black Center terminal: Brass /Tin plating Outer terminal: Copper alloy /Tin plating | 1piece | — | |

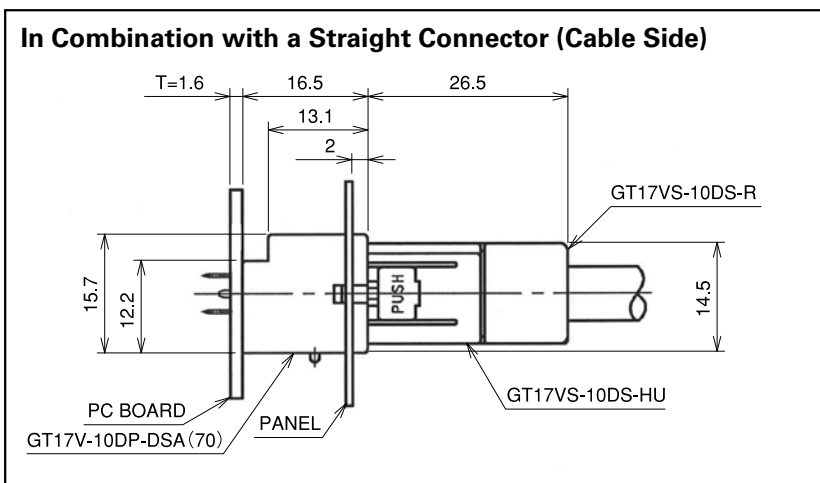


GT17V-10DP-DSA(70)



(with enhanced shielding type)

GT17V-10DP-DSA-SB



GT 5
GT 13
GT 16
PO5G
GT 11
GT 17
Coaxial cable connection of Antennas, Sensors, and Communication Trunk Lines
GT 19
GT 26
GT 27
GT 3
GT 6W
GT 7
GT 10
GT 18W
GT 15
GT 8
GT 9
GT 25
GT 22

10-Conductor Printed Circuit Board Connectors

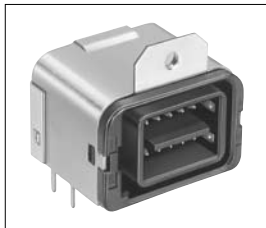
By using each of the two differently keyed types of housing for different purposes, incorrect insertion can be prevented.

● Right-angle type

| Part Number | HRS No. | Material / Finish or Color | Packaging | Remarks | RoHS |
|-----------------------|---------------|--|-----------|----------------------------------|------|
| GT17VA-10DP-DS(70) | 767-0035-0-70 | Housing: PBT/Black Center terminal: Brass /Tin plating Outer terminal: Copper alloy /Tin plating | 1piece | — | YES |
| GT17VA-10DP-DS-SB(70) | 767-0070-1-70 | Housing: PBT/Black Center terminal/Shield case: Brass /Tin plating Outer terminal: Copper alloy /Tin plating | 1piece | Products with enhanced shielding | |

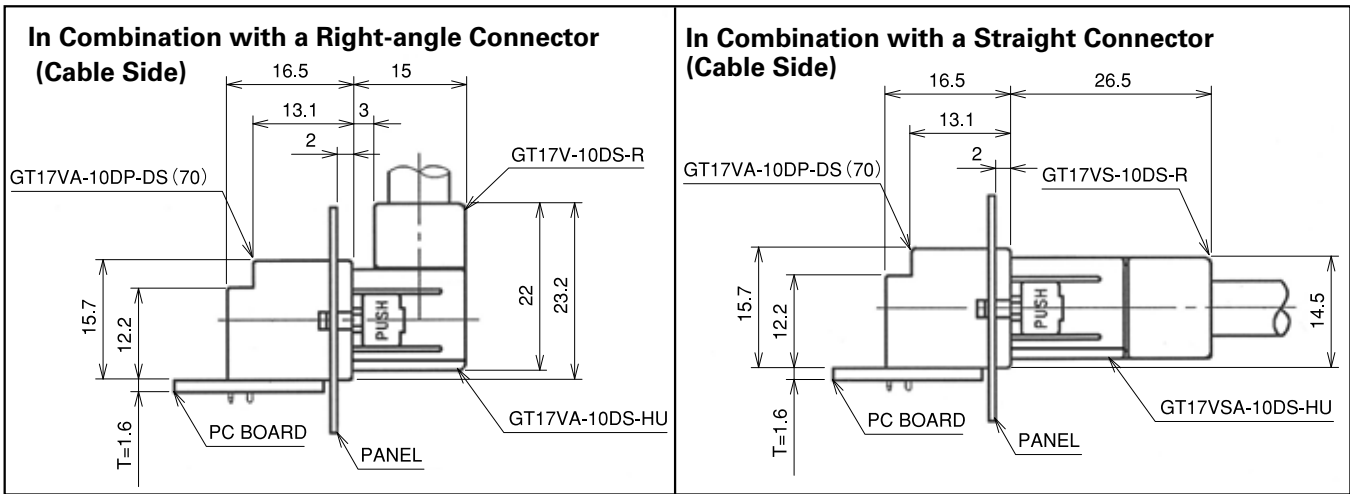


GT17VA-10DP-DS(70)



GT17VA-10DP-DS-SB(70)

(with enhanced shielding type)



● Straight-type

| Part Number | HRS No. | Material / Finish or Color | Packaging | Remarks | RoHS |
|--------------------|---------------|--|-----------|---------|------|
| GT17V-10DP-DSA(70) | 767-0067-0-70 | Housing: PBT/Black Center terminal: Brass /Tin plating Outer terminal: Copper alloy /Tin plating | 1piece | — | YES |
| GT17V-10DP-DSA-SB | 767-0154-0-00 | Housing: PBT/Black Center terminal/Shield case: Brass /Tin plating Outer terminal: Copper alloy /Tin plating | 1piece | — | |

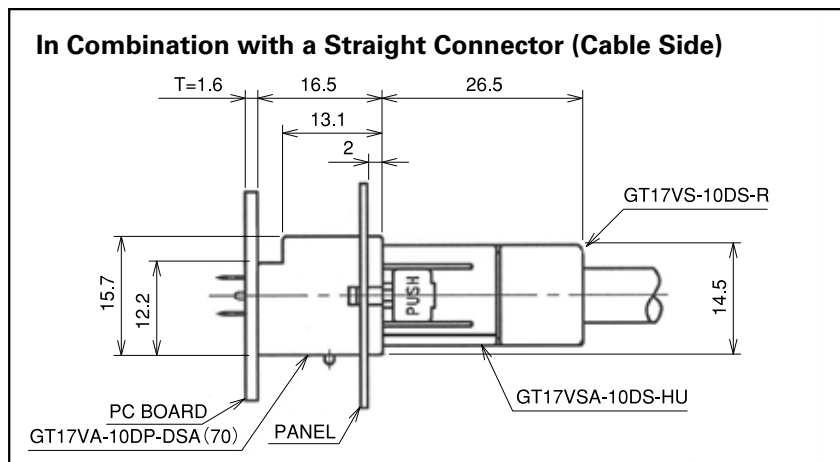


GT17VA-10DP-DSA(70)



(with enhanced shielding type)

GT17VA-10DP-DSA-SB



X-ON Electronics

Largest Supplier of Electrical and Electronic Components

Click to view similar products for [Automotive Connectors](#) category:

Click to view products by [Hirose](#) manufacturer:

Other Similar products are found below :

[003-018-000](#) [60403001](#) [60993906-B](#) [M902-2131](#) [M902-2161](#) [72.330.1035.1](#) [73.353.4028.0](#) [F119300-B](#) [F166900](#) [F258300-B](#) [F358300-B](#)
[F407400](#) [F444110](#) [F487000](#) [F509500B-B](#) [827153-1](#) [8N1515-32-24P](#) [9-1326729-8](#) [925474-1](#) [928905-1](#) [964562-4](#) [968782-1](#) [GT17SA-8DS-](#)
[HU](#) [98891-1012](#) [98947-1016](#) [12004475-L](#) [12010290](#) [12010309-B](#) [12015454](#) [12020219-B](#) [12020308](#) [12041318-B](#) [12052225-L](#) [12052466](#)
[12059125](#) [12064869](#) [12004327-B](#) [12010503-B](#) [12015308](#) [12015384](#) [12015909](#) [1-21030-1](#) [12041254](#) [12041318](#) [12047946-B](#) [12047957](#)
[12047957-L](#) [12059473](#) [12066261](#) [12110546](#)