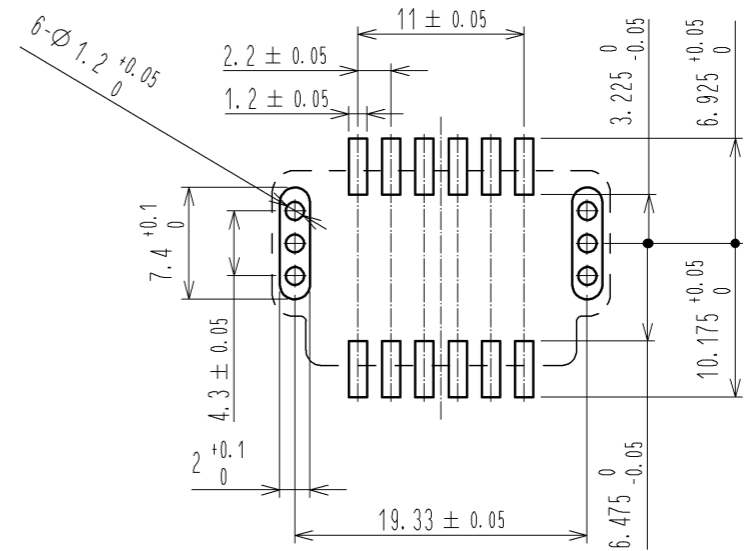
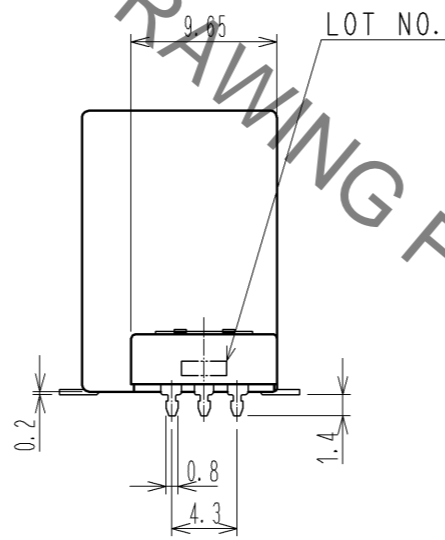
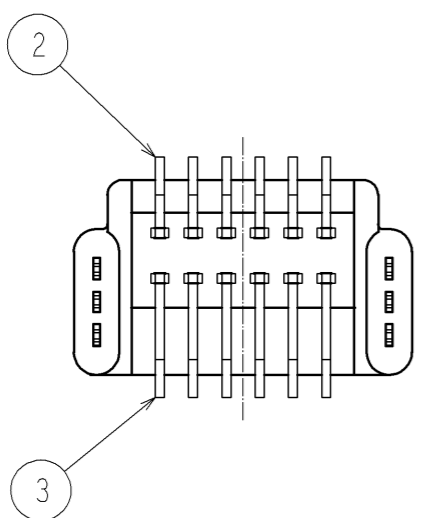
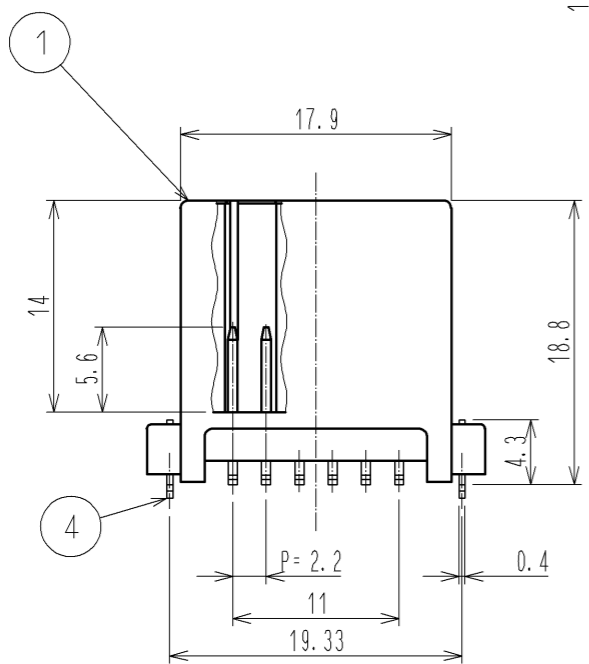
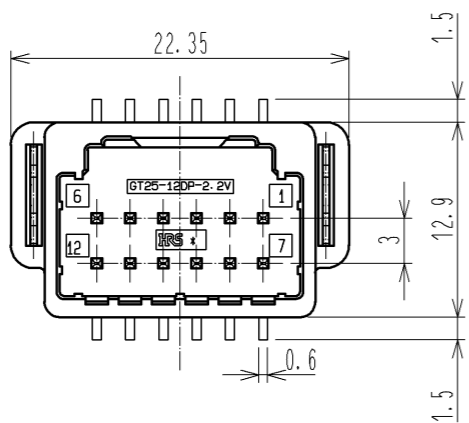


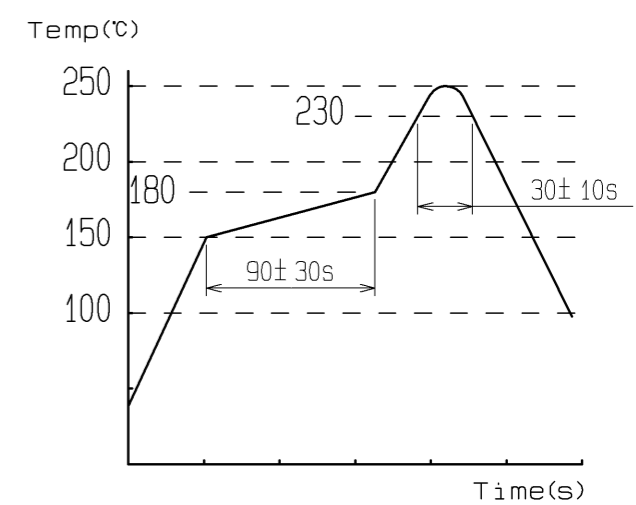
Jun.1.2019 Copyright 2019 HIROSE ELECTRIC CO., LTD. All Rights Reserved.  
 In case of consideration for using Automotive equipment / device which demand high reliability, kindly contact our sales window correspondents.

ELV, RoHS



RECOMMENDED PC BOARD PATTERN

NOTE1. RECOMMENDED TEMPERATURE PROFILE FOR REFLOW  
 (REFER TO RIGHT FIG.)  
 USED REFLOW SYSTEM  
 : IR IN THE AIR OR NITROGEN  
 NO. OF CYCLES : 2 MAX  
 PEAK : 250°C  
 OVER 230°C : 20~40s  
 PREHEAT : 150~180°C  
 60~120s  
 2. TEMPERATURE FOR SOLDERING IRON  
 : 280~300°C WITHIN 2s  
 3. CO-PLANARITY SHALL BE 0.12 MAX.  
 4. PC BOARD THICKNESS=1.6.  
 5. RECOMMENDED SOLDER THICKNESS=0.15



|                         |          |                   |            |                      |                   |
|-------------------------|----------|-------------------|------------|----------------------|-------------------|
| 2                       | BRASS    | TIN PLATED T=0.64 | 4          | BRASS                | TIN PLATED T=0.4  |
| 1                       | PPS      | LIGHT GRAY        | 3          | BRASS                | TIN PLATED T=0.64 |
| NO.                     | MATERIAL | FINISH . REMARKS  | NO.        | MATERIAL             | FINISH . REMARKS  |
| UNITS                   | mm       | SCALE             | 2 : 1      | COUNT                | △                 |
| APPROVED : AR. SHIRAI   |          |                   | 11. 04. 28 |                      |                   |
| CHECKED : TY. TAKAHASHI |          |                   | 11. 04. 28 |                      |                   |
| DESIGNED : KT. MATSUDA  |          |                   | 11. 04. 28 |                      |                   |
| DRAWN : KT. MATSUDA     |          |                   | 11. 04. 28 |                      |                   |
| DRAWING NO.             |          |                   |            | EDC3-168549-01       |                   |
| PART NO.                |          |                   |            | GT25-12DP-2. 2V(C01) |                   |
| CODE NO.                |          |                   |            | CL775-0036-8-01      |                   |
|                         |          |                   |            |                      | 1/1               |

HRS DRAWING FOR REFERENCE

## X-ON Electronics

Largest Supplier of Electrical and Electronic Components

*Click to view similar products for [Automotive Connectors](#) category:*

*Click to view products by [Hirose](#) manufacturer:*

Other Similar products are found below :

[003-018-000](#) [60403001](#) [60993906-B](#) [M902-2131](#) [M902-2161](#) [72.330.1035.1](#) [73.353.4028.0](#) [F119300-B](#) [F166900](#) [F258300-B](#) [F358300-B](#)  
[F407400](#) [F444110](#) [F487000](#) [F509500B-B](#) [827153-1](#) [8N1515-32-24P](#) [9-1326729-8](#) [925474-1](#) [928905-1](#) [964562-4](#) [968782-1](#) [GT17SA-8DS-](#)  
[HU](#) [98891-1012](#) [98947-1016](#) [12004147](#) [12004475-L](#) [12010290](#) [12010309-B](#) [12015454](#) [12020219-B](#) [12020308](#) [12041318-B](#) [12052225-L](#)  
[12052466](#) [12059125](#) [12064869](#) [12004327-B](#) [12010503-B](#) [12015308](#) [12015384](#) [12015909](#) [1-21030-1](#) [12041254](#) [12041318](#) [12047946-B](#)  
[12047957](#) [12047957-L](#) [12059473](#) [12066261](#)