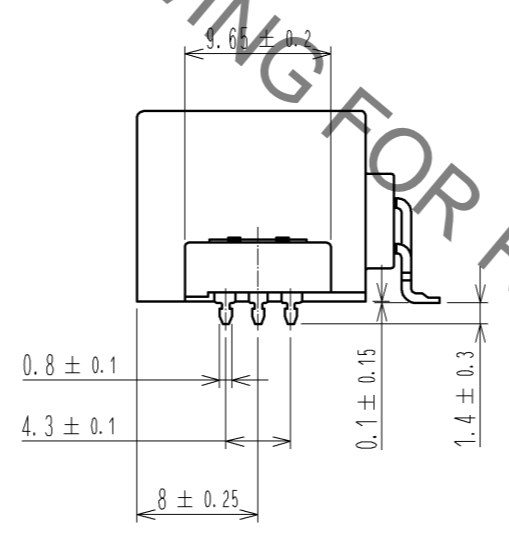
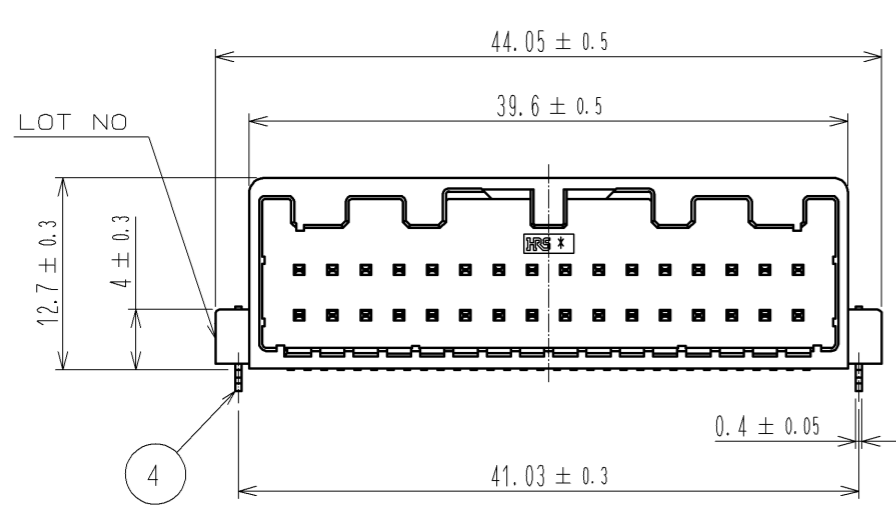
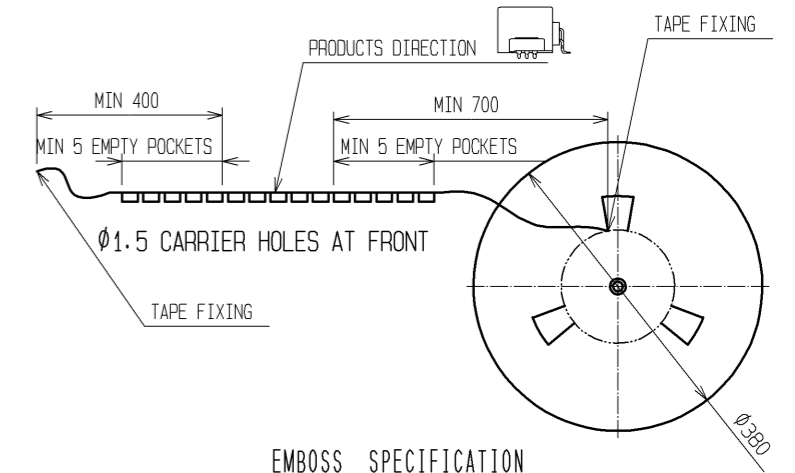
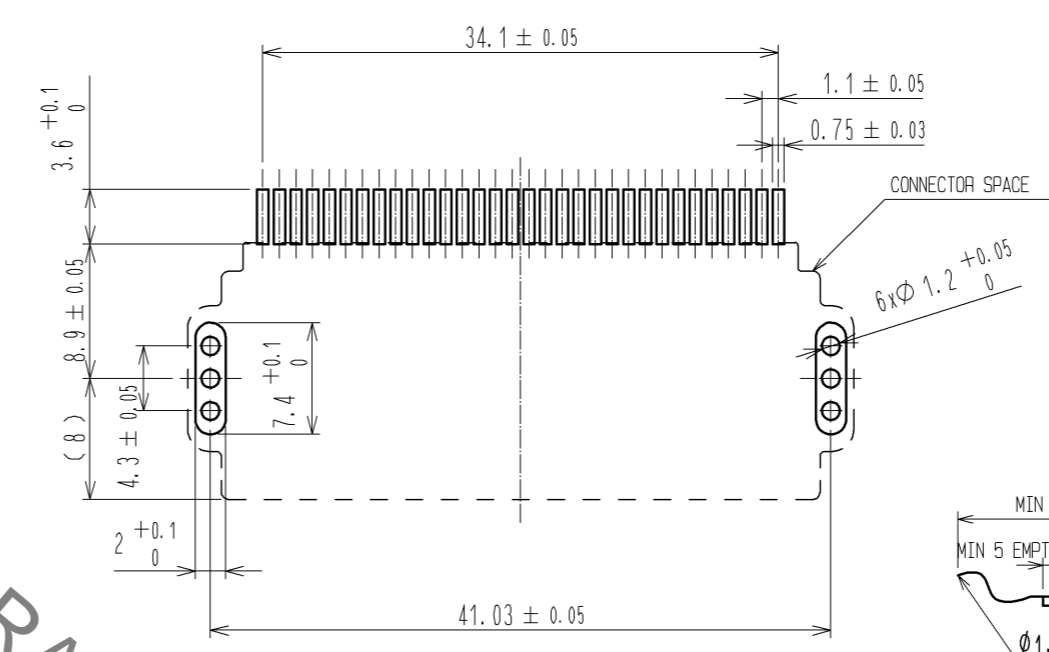
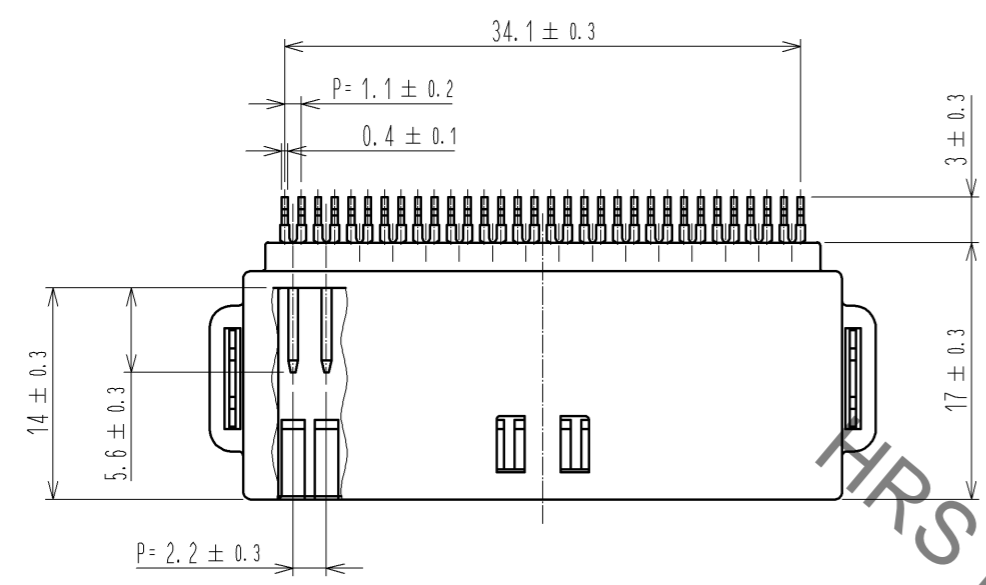
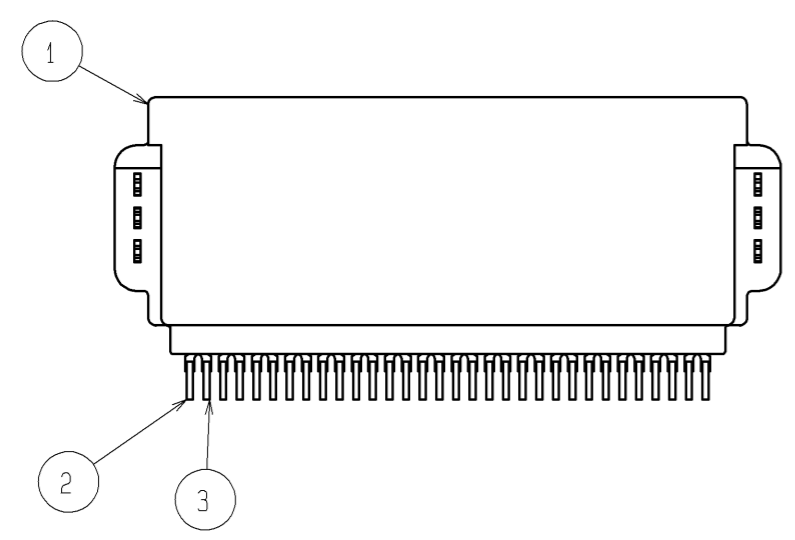
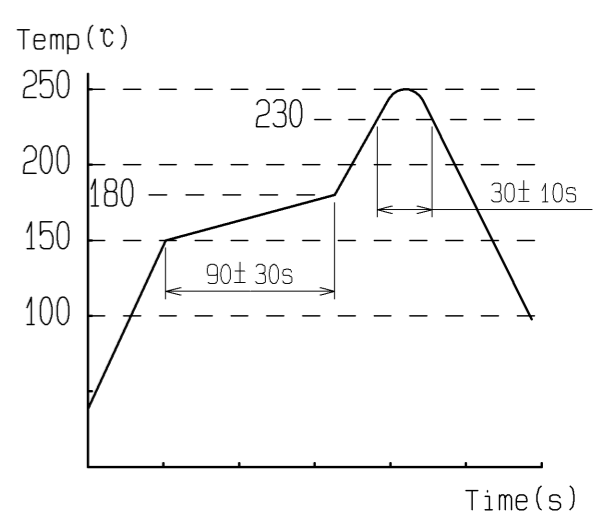


Jun.1.2019 Copyright 2019 HIROSE ELECTRIC CO., LTD. All Rights Reserved.  
In case of consideration for using Automotive equipment / device which demand high reliability, kindly contact our sales window correspondents.

ELV, RoHS COMPLIANT



NOTE1. RECOMMENDED TEMPERATURE PROFILE FOR REFLOW (REFER TO RIGHT FIG.)  
 USED REFLOW SYSTEM : IR IN THE AIR OR NITROGEN  
 NO. OF CYCLES : 2 MAX  
 PEAK : 250°C  
 OVER 230°C : 20-40s  
 PREHEAT : 150-180°C  
 60-120s  
 2. TEMPERATURE FOR SOLDERING IRON : 280-300°C WITHIN 2s  
 3. CO-PLANARITY SHALL BE 0.1mm MAX.  
 4. PC BOARD THICKNESS IS 1.6mm.  
 5. RECOMMENDED SOLDER THICKNESS IS 0.15mm



2	BRASS	TIN PLATED T=0.64	4	BRASS	TIN PLATED T=0.4
1	PPS	LIGHT GRAY	3	BRASS	TIN PLATED T=0.64
NO.	MATERIAL	FINISH . REMARKS	NO.	MATERIAL	FINISH . REMARKS
UNITS	mm	SCALE	2 : 1	COUNT	1
		DESCRIPTION OF REVISIONS		DESIGNED	TY. SAKASHITA
		DIS-T-003052		CHECKED	TY. TAKAHASHI
				DATE	12.11.29
APPROVED : KS. SATOH		07.03.27		DRAWING NO. EDC3-166449-00	
CHECKED : AR. SHIRAI		07.03.27		PART NO. GT25-32DP-2.2H	
DESIGNED : TY. SAKASHITA		07.03.27		CODE NO. CL775-0008-2-00	
DRAWN : TY. SAKASHITA		07.03.27			

## X-ON Electronics

Largest Supplier of Electrical and Electronic Components

*Click to view similar products for [Automotive Connectors](#) category:*

*Click to view products by [Hirose](#) manufacturer:*

Other Similar products are found below :

[003-018-000](#) [60403001](#) [60993906-B](#) [M902-2131](#) [M902-2161](#) [72.330.1035.1](#) [73.353.4028.0](#) [F119300-B](#) [F166900](#) [F258300-B](#) [F358300-B](#)  
[F407400](#) [F444110](#) [F487000](#) [F509500B-B](#) [827153-1](#) [8N1515-32-24P](#) [9-1326729-8](#) [925474-1](#) [928905-1](#) [964562-4](#) [968782-1](#) [GT17SA-8DS-](#)  
[HU](#) [98891-1012](#) [98947-1016](#) [12004475-L](#) [12010290](#) [12010309-B](#) [12015454](#) [12020219-B](#) [12020308](#) [12041318-B](#) [12052225-L](#) [12052466](#)  
[12059125](#) [12064869](#) [12004327-B](#) [12010503-B](#) [12015308](#) [12015384](#) [12015909](#) [1-21030-1](#) [12041254](#) [12041318](#) [12047946-B](#) [12047957](#)  
[12047957-L](#) [12059473](#) [12066261](#) [12110546](#)