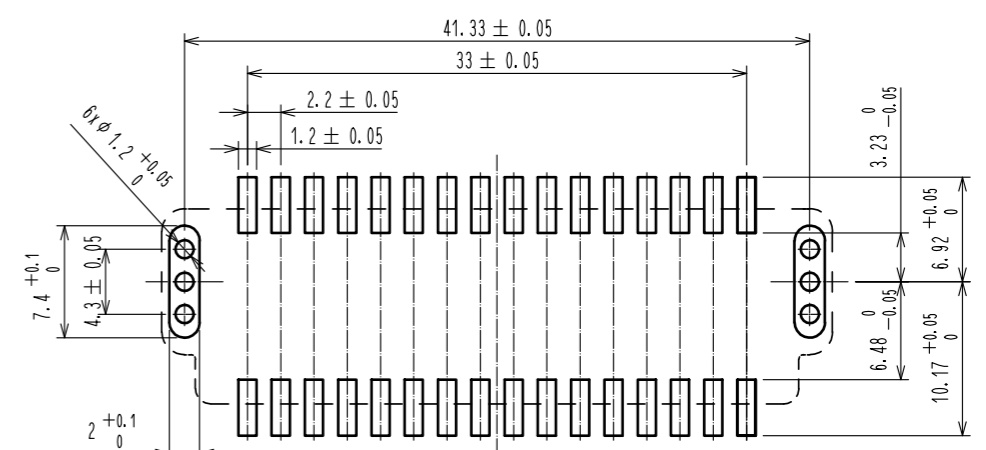
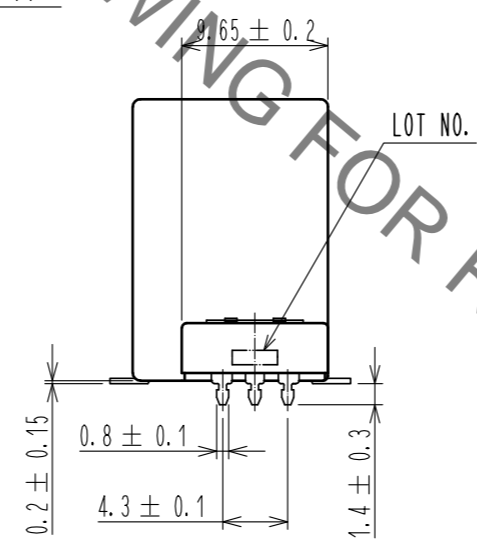
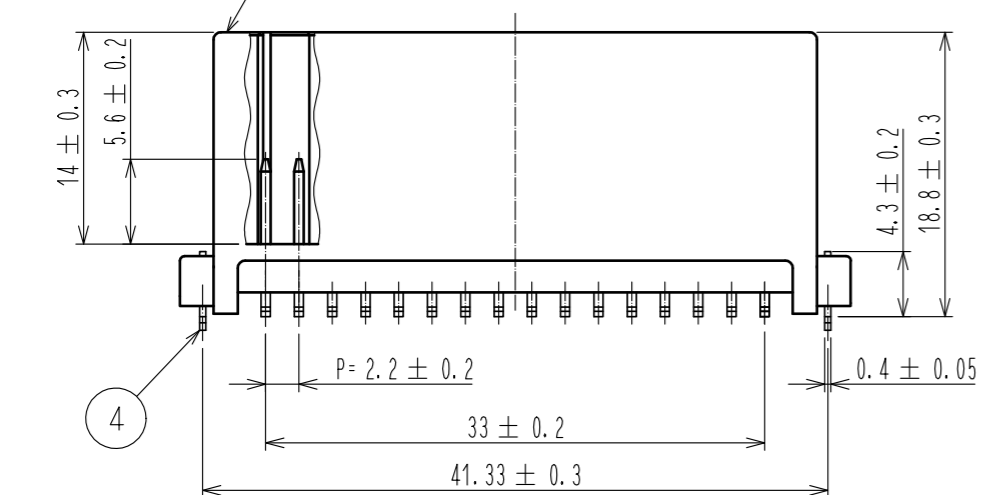
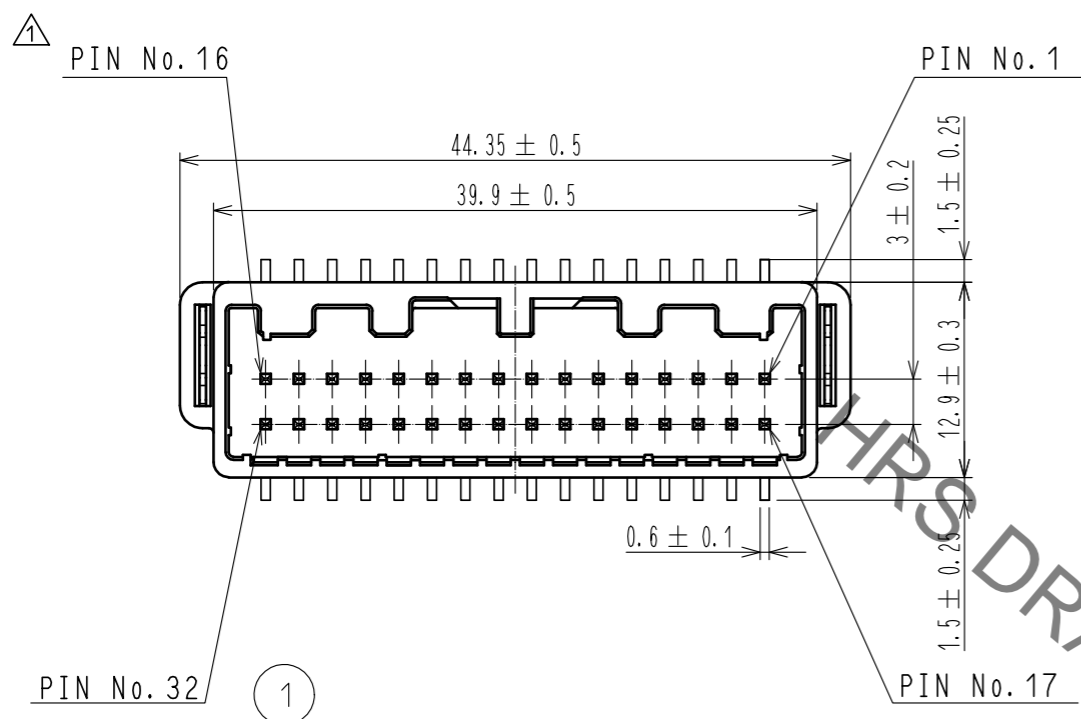
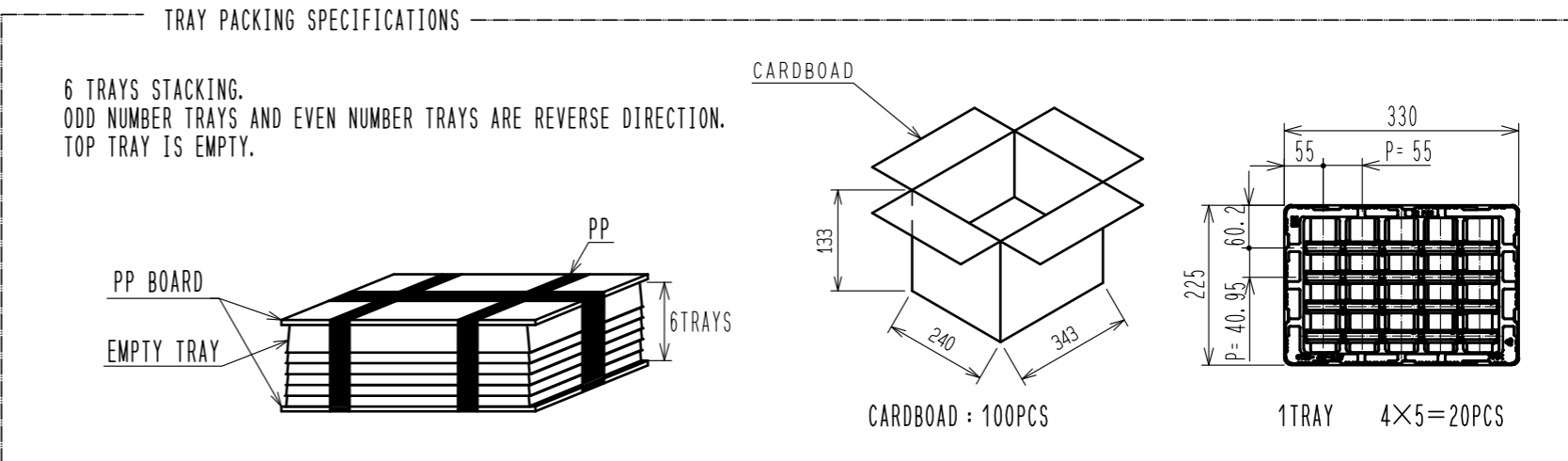


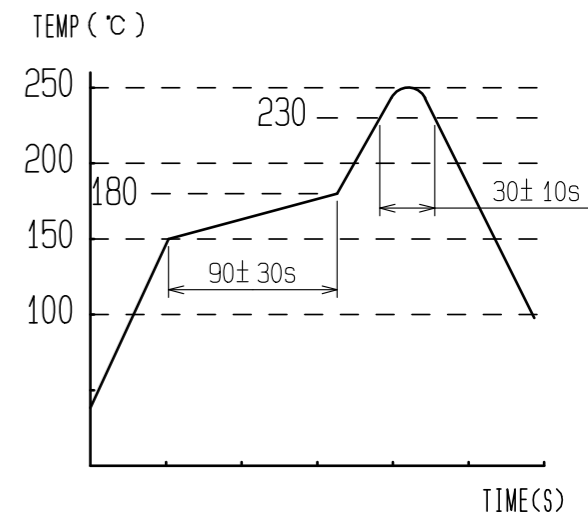
Jun.1.2019 Copyright 2019 HIROSE ELECTRIC CO., LTD. All Rights Reserved.
In case of consideration for using Automotive equipment / device which demand high reliability, kindly contact our sales window correspondents.

ELV, RoHS COMPLIANT



RECOMMENDED PCB RAYOUT

- NOTE 1. RECOMMENDED TEMPERATURE PROFILE FOR REFLOW
(REFER TO RIGHT FIG.)
USED REFLOW SYSTEM
: IR IN THE AIR OR NITROGEN
NO. OF CYCLES : 2 MAX
PEAK : 250°C
OVER 230°C : 20~40s
PREHEAT : 150~180°C
60~120s
2. TEMPERATURE FOR SOLDERING IRON
: 280~300°C WITHIN 2s
3. CO-PLANARITY SHALL BE 0.12 MAX.
4. PC BOARD THICKNESS=1.6
5. RECOMMENDED SOLDER THICKNESS=0.15



2	BRASS	TIN PLATED	T=0.64	4	BRASS	TIN PLATED	T=0.4
1	PPS	LIGHT GRAY		3	BRASS	TIN PLATED	T=0.64
NO.	MATERIAL	FINISH	REMARKS	NO.	MATERIAL	FINISH	REMARKS
UNITS	mm	SCALE	2 : 1	COUNT	1	DESCRIPTION OF REVISIONS	DIS-T-00000407
APPROVED : AR. SHIRAI 12.10.12				DESIGNED : YT. HAYAKAWA			
CHECKED : NH. NAKATA 12.10.11				CHECKED : HS. OZAWA			
DESIGNED : TK. SHISHIKURA 12.10.11				DATE : 15.07.14			
DRAWN : TK. SHISHIKURA 12.10.11				DRAWING NO. : EDC3-166658-02			
HRS HIROSE ELECTRIC CO., LTD.				PART NO. : GT25-32DP-2. 2V(C01)			
				CODE NO. : CL775-0022-3-01			

X-ON Electronics

Largest Supplier of Electrical and Electronic Components

Click to view similar products for [Automotive Connectors](#) category:

Click to view products by [Hirose](#) manufacturer:

Other Similar products are found below :

[003-018-000](#) [60403001](#) [60993906-B](#) [M902-2131](#) [M902-2161](#) [72.330.1035.1](#) [73.353.4028.0](#) [F119300-B](#) [F166900](#) [F258300-B](#) [F358300-B](#)
[F407400](#) [F444110](#) [F487000](#) [F509500B-B](#) [827153-1](#) [8N1515-32-24P](#) [9-1326729-8](#) [925474-1](#) [928905-1](#) [964562-4](#) [968782-1](#) [GT17SA-8DS-](#)
[HU](#) [98891-1012](#) [98947-1016](#) [12004475-L](#) [12010290](#) [12010309-B](#) [12015454](#) [12020219-B](#) [12020308](#) [12041318-B](#) [12052225-L](#) [12052466](#)
[12059125](#) [12064869](#) [12004327-B](#) [12010503-B](#) [12015308](#) [12015384](#) [12015909](#) [1-21030-1](#) [12041254](#) [12041318](#) [12047946-B](#) [12047957](#)
[12047957-L](#) [12059473](#) [12066261](#) [12110546](#)