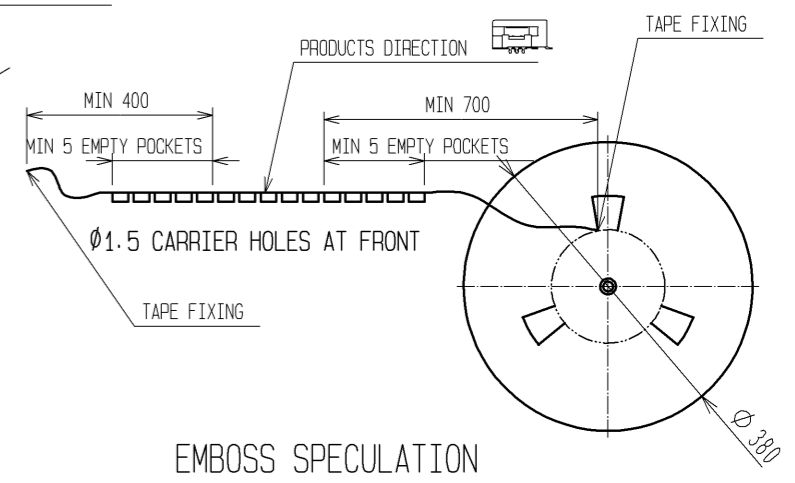
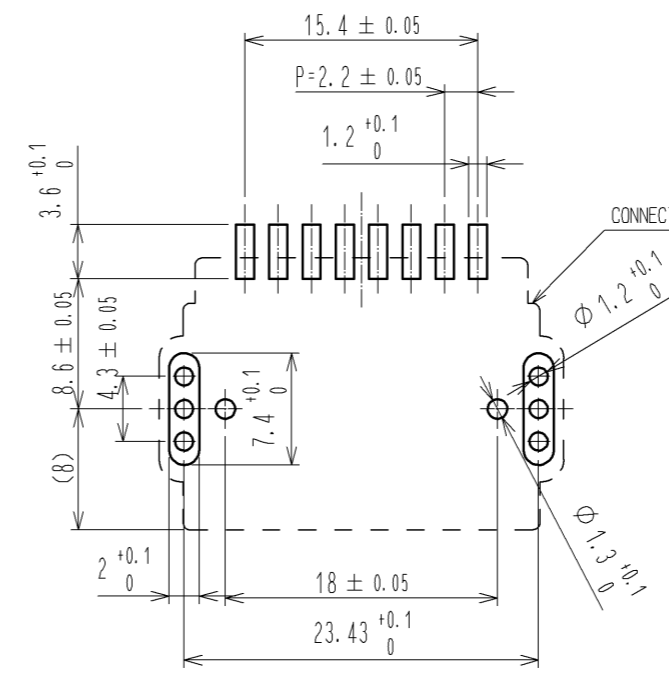
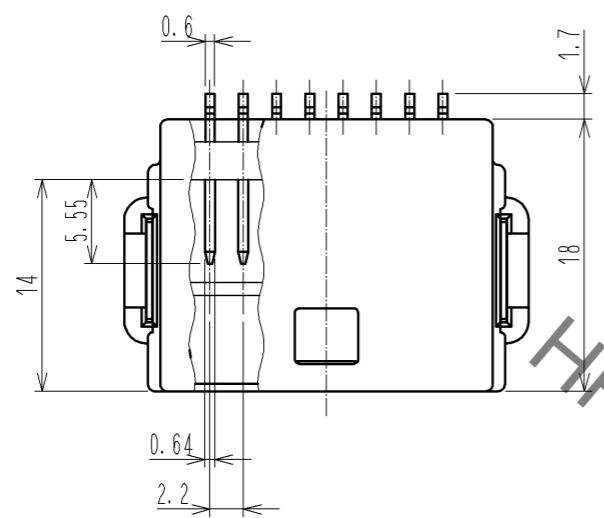


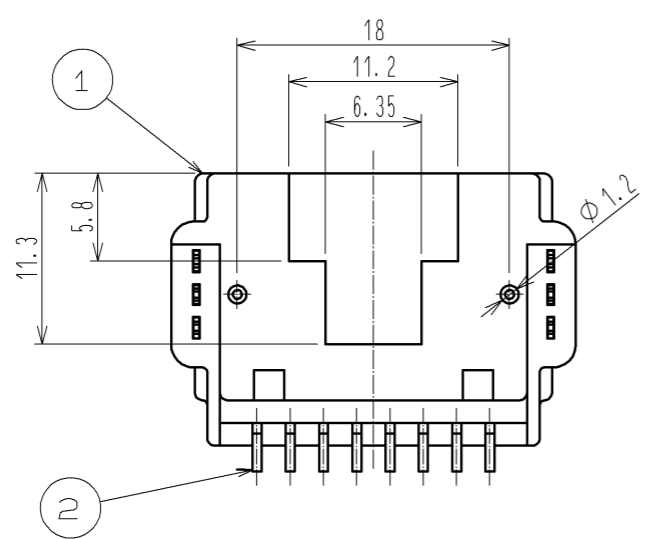
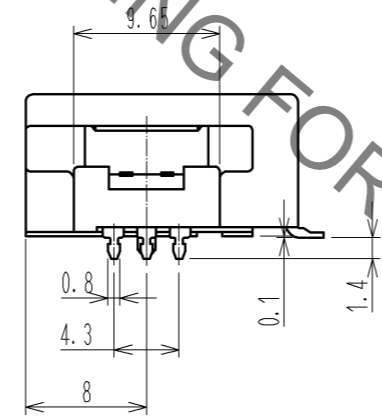
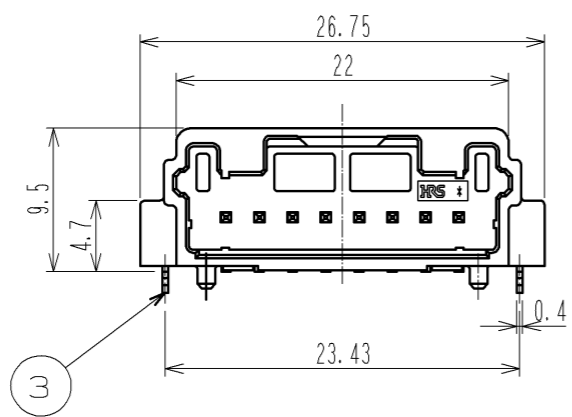
Jun.1.2019 Copyright 2019 HIROSE ELECTRIC CO., LTD. All Rights Reserved.  
In case of consideration for using Automotive equipment / device which demand high reliability, kindly contact our sales window correspondents.

ELV, RoHS

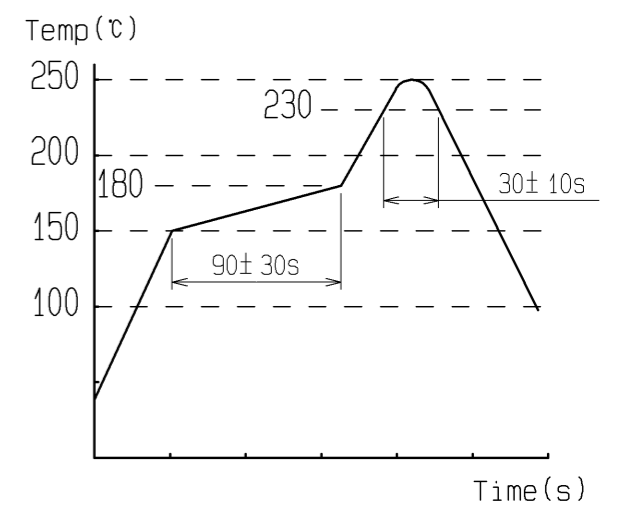


RECOMMENDED PC BOARD PATTERN

EMBOSS SPECULATION



NOTE1. RECOMMENDED TEMPERATURE PROFILE FOR REFLOW  
(REFER TO RIGHT FIG.)  
USED REFLOW SYSTEM  
: IR IN THE AIR OR NITROGEN  
NO. OF CYCLES : 2 TIMES  
PEAK : 250°C  
OVER 230°C : 20~40s  
PREHEAT : 150~180°C  
60~120s  
2. TEMPERATURE FOR SOLDERING IRON  
: 280~300°C WITHIN 2s  
3. CO-PLANARITY SHALL BE 0.1 MAX.  
4. PC BOARD THICKNESS=1.6.  
5. RECOMMENDED SOLDER THICKNESS=0.15



2	BRASS	TIN PLATED	T=0.64				
1	PPS	LIGHT GRAY		3	BRASS	TIN PLATED	
NO.	MATERIAL	FINISH .	REMARKS	NO.	MATERIAL	FINISH .	REMARKS
UNITS	mm	⊙	▽	SCALE	2 : 1	COUNT	△
				DESCRIPTION OF REVISIONS		DESIGNED	CHECKED
				DATE			
APPROVED : AR. SHIRAI				09.08.08		DRAWING NO. EDC3-166162-02	
CHECKED : TY. TAKAHASHI				09.08.08		PART NO. GT25-8P-2. 2H(70)	
DESIGNED : TY. SAKASHITA				09.08.08		CODE NO. CL775-0001-3-70	
DRAWN : KT. MATSUDA				09.08.08		1/1	

## X-ON Electronics

Largest Supplier of Electrical and Electronic Components

*Click to view similar products for [Automotive Connectors](#) category:*

*Click to view products by [Hirose](#) manufacturer:*

Other Similar products are found below :

[003-018-000](#) [60403001](#) [60993906-B](#) [M902-2131](#) [M902-2161](#) [72.330.1035.1](#) [73.353.4028.0](#) [F119300-B](#) [F166900](#) [F258300-B](#) [F358300-B](#)  
[F407400](#) [F444110](#) [F487000](#) [F509500B-B](#) [827153-1](#) [8N1515-32-24P](#) [9-1326729-8](#) [925474-1](#) [928905-1](#) [964562-4](#) [968782-1](#) [GT17SA-8DS-](#)  
[HU](#) [98891-1012](#) [98947-1016](#) [12004475-L](#) [12010290](#) [12010309-B](#) [12015454](#) [12020219-B](#) [12020308](#) [12041318-B](#) [12052225-L](#) [12052466](#)  
[12059125](#) [12064869](#) [12004327-B](#) [12010503-B](#) [12015308](#) [12015384](#) [12015909](#) [1-21030-1](#) [12041254](#) [12041318](#) [12047946-B](#) [12047957](#)  
[12047957-L](#) [12059473](#) [12066261](#) [12110546](#)