



### Features

- 1 Saves PCB space  
(Terminal tab size 0.64mm / 2.2mm pitch)
- 2 Wide pos. varieties (8, 12, 16, 20, 24, 32, 40)
- 3 Strong prying force : 98N Min.
- 4 105°C heat resistance
- 5 Clear tactile click
- 6 Compatible with other manufacturers' products



Space-Saving



Wide Variation

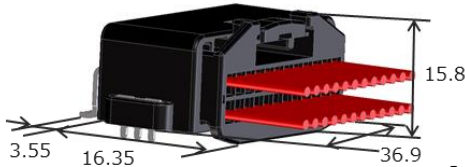


Contact Reliability

### Dimensions & Variations

Example : 24pos.

**Right Angle Type**  
(Solder tab : **DIP**)

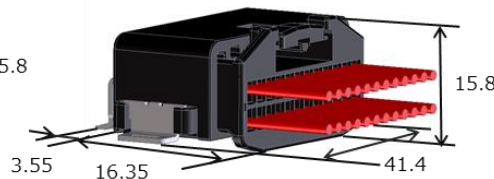


**GT25H2-24DP-2.2H (10)**

Mass Production:  
8,12,16,20,24,32,40pos.

\*Resin Material: PA

**Right Angle type**  
(Solder tab : **SMT**)

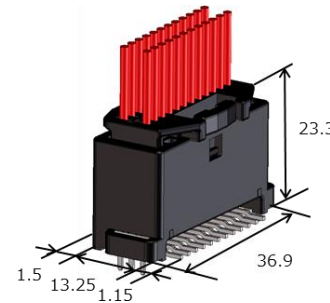


**GT25H2D2-24DP-2.2H**

Mass Production: 24pos.  
Under Development: 12,32pos.

\* Resin Material: PPS

**Straight Type**  
(Solder tab : **DIP**)



**GT25H2-24DP-2.2V**

Mass Production : 8,24,40pos.

\* Resin Material: PPS

### Specifications

Rated Current	3A
Rated Voltage	250V AC
Operating Temperature	-40 to +105 °C*
Withstanding Voltage	1000V AC for 1 min.
Insulation Resistance	1000MΩ Min. (500V DC)
Mating Durability	30 times

\*Includes the temperature rise by current flow.

-No. of Pos.: 8, 12, 16, 20, 24, 32, 40

-No. of Pos. : Right angle, solder tab DIP type  
⇒8,12,16,20,24,32,40pos.

Right angle, solder tab SMT type⇒24pos.

Straight, solder tab DIP type⇒8, 24,40pos.

-Applicable wire: 0.12 to 0.5SQ (Outer dia. ø0.8 to 1.7mm)

## X-ON Electronics

Largest Supplier of Electrical and Electronic Components

*Click to view similar products for [Headers & Wire Housings](#) category:*

*Click to view products by [Hirose](#) manufacturer:*

Other Similar products are found below :

[892-18-020-10-001101](#) [58102-G61-06LF](#) [582553-1](#) [0009485154](#) [009176003701906](#) [0050291907](#) [LY20-4P-DT1-P1E-BR](#) [02.125.8002.8](#)  
[609-3404](#) [61062-3](#) [622-0430](#) [622-3653LF](#) [63453-116](#) [636-1030](#) [636-1427](#) [636-3427](#) [636-4007](#) [641938-9](#) [641991-4](#) [644827-2](#) [65817-010LF](#)  
[65817-015LF](#) [65863-015LF](#) [66207-023LF](#) [67095-007LF](#) [67601157](#) [68648-049](#) [70.362.1628.0](#) [70-4210](#) [70-4226B](#) [70-4853B](#) [707-5020](#) [707-5028](#) [71.350.2428.0](#) [71918-208LF](#) [71961-016LF](#) [733-134](#) [733-162](#) [754199-000](#) [760-3052](#) [787-8014-00](#) [79531-3000](#) [FCN-360C032-B](#) [FCN-367T-T012/H](#) [FCN-723D010/2](#) [80.063.4001.1](#) [800-90-001-10-001000](#) [800-90-010-10-002000](#) [801-43-002-10-013000](#) [801-43-006-10-002000](#)