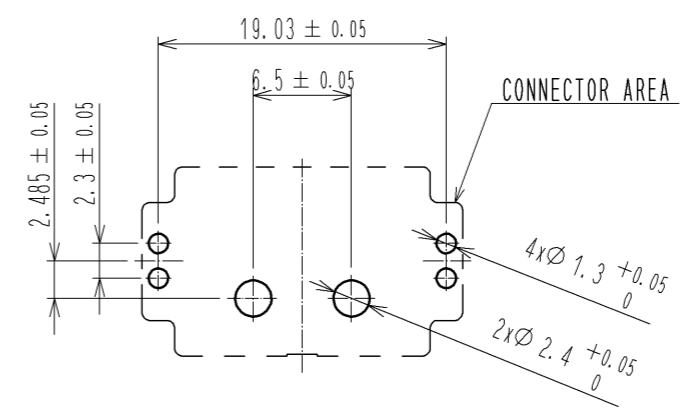
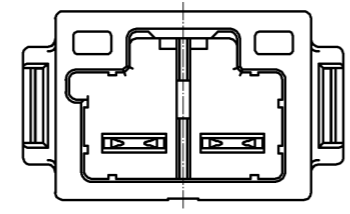
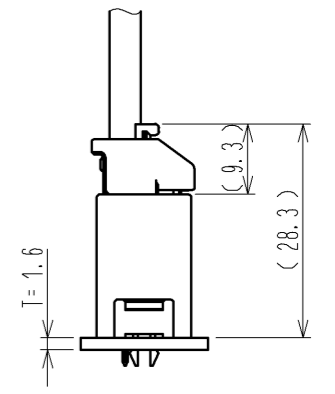


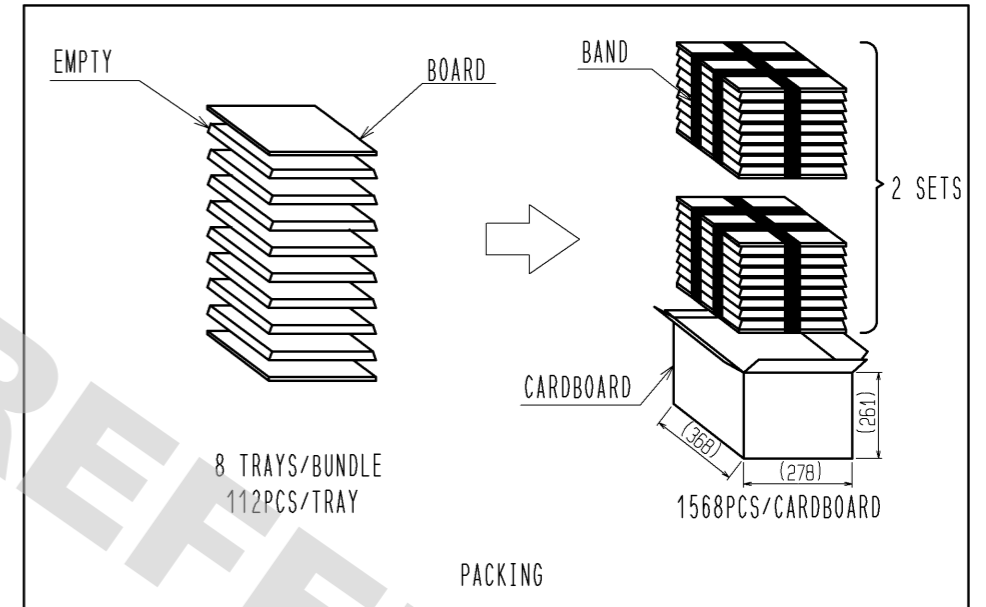
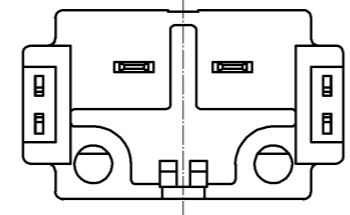
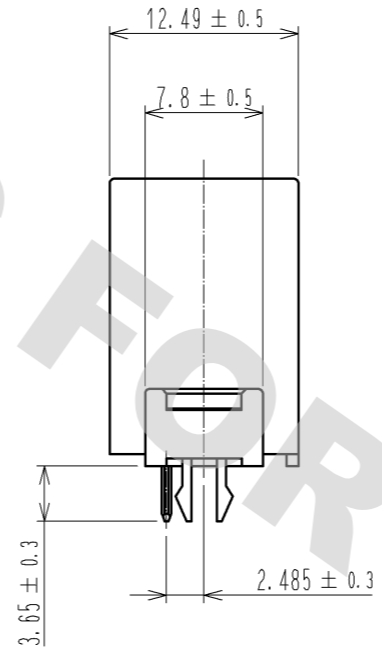
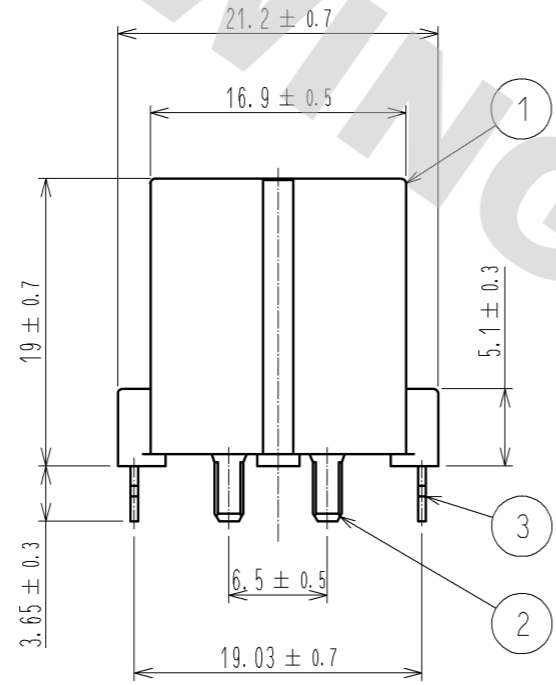
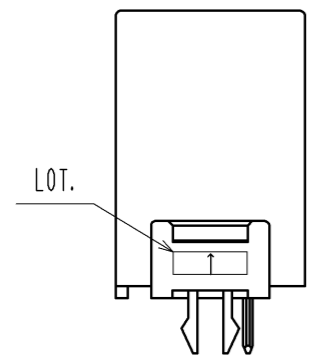
ELV, RoHS COMPLIANT



RECOMMENDED PCB DIMENSIONS(T=1.6)



MATED CONNECTORS (1:1)



2	COPPER ALLOY	TIN PLATED						
1	PA	BLACK. UL94V-0	3	PHOSPHOR BRONZE	TIN PLATED			
NO.	MATERIAL	FINISH . REMARKS	NO.	MATERIAL	FINISH . REMARKS			
UNITS mm		SCALE 2 : 1		COUNT △	DESCRIPTION OF REVISIONS	DESIGNED	CHECKED	DATE
HRS HIROSE ELECTRIC CO., LTD.		APPROVED : AR. SHIRAI	11.04.21	DRAWING NO. EDC3-168138-00				
		CHECKED : TY. TAKAHASHI	11.04.21	PART NO. GT28-2P-6.5DSA				
		DESIGNED : TY. SAKASHITA	11.04.20	CODE NO. CL778-0004-0-00				
		DRAWN : TY. SAKASHITA	11.04.20			△ 1/1		

DRAWING FOR REFERENCE: This is subject to change without notice 08/11/2012

X-ON Electronics

Largest Supplier of Electrical and Electronic Components

Click to view similar products for [Hirose](#) manufacturer:

Other Similar products are found below :

[HR212-10P-8P\(71\)](#) [RM15TPN-10PC\(71\)](#) [SC-1634](#) [MDF7-40DP-2.54DSA\(55\)](#) [FX2-100S-1.27SVL\(71\)](#) [GT5H-1PP-HU\(10\)](#) [HLS-JJ-1\(40\)](#)
[DF13EA-30DP-1.25V\(55\)](#) [RM15WTRZ-12S\(71\)](#) [RM21TP-20P\(71\)](#) [MRF18-8P-178BU](#) [MS-156R-NJ-1](#) [DX30AM-100P](#) [HR10A-10R-10SB\(72\)](#) [HR10G-10R-12S\(71\)](#) [HR212-10P-8P\(72\)](#) [HR25-7TP-8P\(73\)](#) [HR25-9TR-12P\(71\)](#) [HR25A-7J-4P](#) [HR30-7P-C\(71\)](#) [HRM-513S](#)
[HRMP-X.FLJ](#) [PCN10-44P-2.54DSA\(72\)](#) [AP105-DF11-2428S\(63\)](#) [FX2C2-68S-1.27DSAL\(71\)](#) [PO51-LR-PC-1\(40\)](#) [HIF6-68D-1.27R\(20\)](#)
[HOS-7](#) [HR10A-10WTR-12P\(74\)](#) [HR10A-13P-20SC\(73\)](#) [HR10A-13TPD-20P\(73\)](#) [HR22-12WTRA-20PC\(73\)](#) [HR25A-7R-8P](#) [U.FL-LP\(V\)-04N1-A-\(500\)](#) [LF13WBP-20S](#) [DF3EA-2P-2V\(50\)](#) [DH-37-CMB\(8.8\)](#) [U.FL-2LP-068N1-A-\(50\)](#) [U.FL-2LP-062N1D-A-\(100\)](#) [A4B-13PA-2DS\(71\)](#) [QR/P-12S-C\(51\)](#) [JR25WCC-16\(71\)](#) [JR16WCC-10\(71\)](#) [CM-105\(92\)](#) [LF13BJ-T01](#) [HT802/HR41A-11-18](#) [HT802/DF64-1822P](#)
[HT802/DF63W-1618S-2](#) [HT801/DF62-30\(10\)](#) [HT305/DF61-2226S](#)