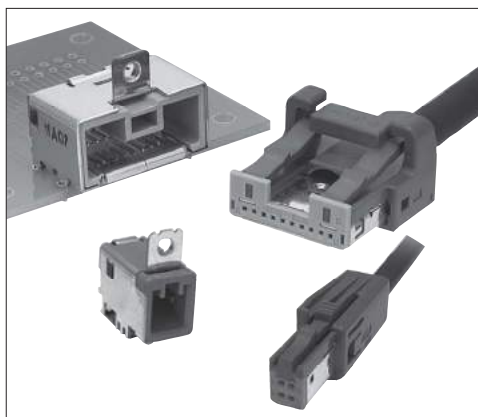


GT32 Series

— Shielded Connector for High Speed Transmission —



■ Features

- Fully shielded design
- Optimum shielded connectors for automotive use

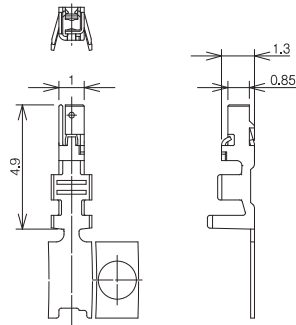
■ Applications

- For in-vehicle data communication, etc.
(4pos. ... USB 2.0 Compatible)
(10pos. ... USB 3.2 Gen1 Compatible)
(19pos. ... HDMI 1.4 Type E Equivalent)

GT5
GT13
GT16
GT19
GT21
GT36
GT43
GT17
GT32
GT25
KM37
ZE05
ZG05L2
HM-200
ZE64W
H207L
FX26
DF40
DF40GL
FH28K
FH52K
FH65
FH40
FH63S
FH67

F Connector

Center Terminal



Part No.	HRS No.	Material	Finish	Conductor size	Jacket outer diameter	Sales unit	RoHS
GT32-2428SCF	782-0007-8	Copper alloy	Tin plating	AWG#24~28	φ0.8~1.0	10,000 pcs/reel	○

M Connector

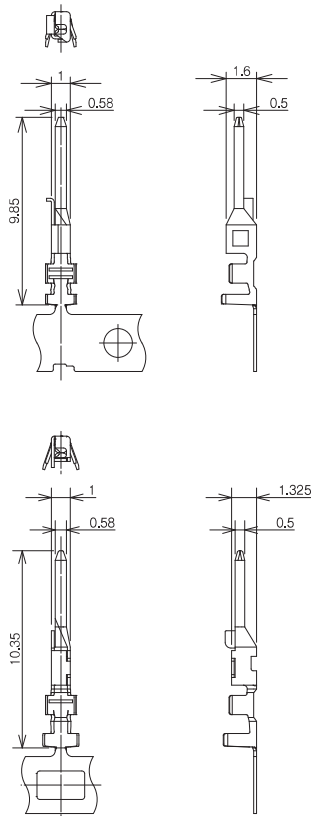
Center Terminal



GT32-2428PCF

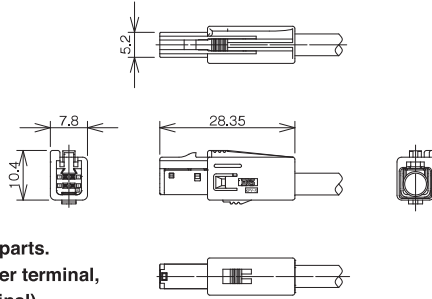


GT32A-2428PCF



Part No.	HRS No.	Material	Finish	Conductor size	Jacket outer diameter	Sales unit	RoHS
GT32-2428PCF	782-0030-0	Brass	Tin plating	AWG#24~28	φ0.8~1.0	10,000 pcs/reel	○
GT32A-2428PCF	782-0050-7						

4-pos Straight Connector



- ◆ This product consists of five parts.
(Housing, insulated case, outer terminal, shield cover, and center terminal)

● Housing

Part No.	HRS No.	Material	Color	Sales unit	RoHS
GT32-4DS-HU	782-0042-9	PBT	Dark gray	1	○
GT32-4DS-HU(A)	782-0055-0		Brown		
GT32-4DS-HU(B)	782-0056-3		Green		
GT32-4DS-HU(C)	782-0057-6		Blue		
GT32-4DS-HU(D)	782-0058-9		Black		

● Insulated Case

Part No.	HRS No.	Material	Color	Sales unit	RoHS
GT32-4DS-1.5C	782-0039-4	PBT	Light gray	1	○

● Outer Terminal

Part No.	HRS No.	Material	Finish	Sales unit	RoHS
GT32-4DS-5CF	782-0040-3	Copper alloy	Tin plating	1	○

● Shield Plate

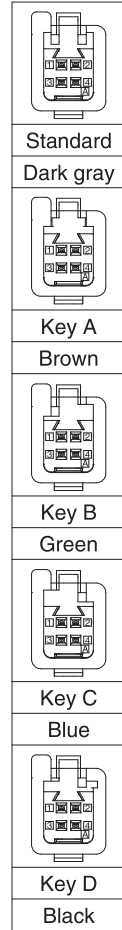
Part No.	HRS No.	Material	Finish	Sales unit	RoHS
GT32-4DS-SC	782-0041-6	Copper alloy	Tin plating	1	○

● Center Terminal

Part No.	HRS No.	Material	Finish	Conductor size	Jacket outer diameter	Sales unit	RoHS
GT32-2428SCF	782-0007-8	Copper alloy	Tin plating	AWG#24~28	φ0.8~1.0	10,000 pcs/reel	○

◆ Mating Table

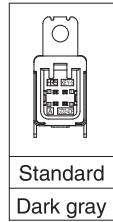
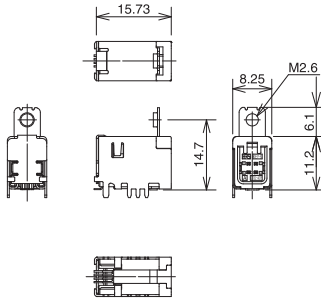
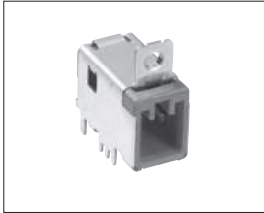
Color	Cable side connector	Board connector	
		Right angle type	Straight type
Dark gray	GT32-4DS-ASSY	GT32-4DP-1.5H / GT32-4DP-1.5H(10)	GT32-4DP-1.5V
Brown	GT32-4DS-ASSY(Key type : A)	GT32-4DP-1.5H(A) / GT32-4DP-1.5H(A)(10)	GT32-4DP-1.5V(A)
Green	GT32-4DS-ASSY(Key type : B)	GT32-4DP-1.5H(B) / GT32-4DP-1.5H(B)(10)	GT32-4DP-1.5V(B)
Blue	GT32-4DS-ASSY(Key type : C)	GT32-4DP-1.5H(C) / GT32-4DP-1.5H(C)(10)	GT32-4DP-1.5V(C)
Black	GT32-4DS-ASSY(Key type : D)	GT32-4DP-1.5H(D) / GT32-4DP-1.5H(D)(10)	GT32-4DP-1.5V(D)



GT5
GT13
GT16
GT19
GT21
GT36
GT43
GT17
GT32
GT25
KM37
ZE05
ZG05L2
HH-5200
ZE6K4W
H2071L
FX26
DE40
DF40GL
FH28K
FH2K
FH65
FH40
FH63S
FH67

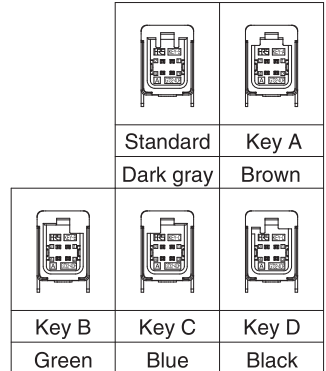
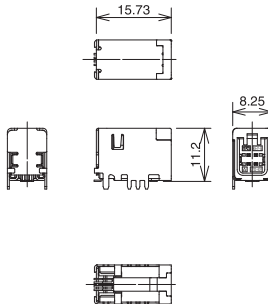
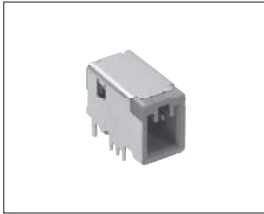
■ 4-pos Board Connector (Right Angle SMT type)

● Type with M2.6 Screw Flange



Part No.	HRS No.	Color	Material / Finish	Sales unit	RoHS
GT32-4DP-1.5H	782-0038-1	Dark gray	Housing : PA Center terminal : Brass/Tin plating Outer terminal : Copper alloy/Tin plating	1	○

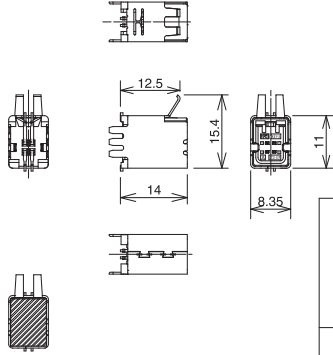
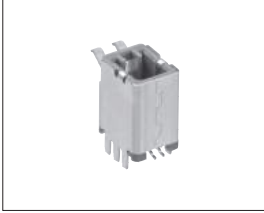
● Flangeless type



Part No.	HRS No.	Color	Material / Finish	Sales unit	RoHS
GT32-4DP-1.5H(10)	782-0038-1-10	Dark gray	Housing : PA Center terminal : Brass/Tin plating Outer terminal : Copper alloy/Tin plating	1	○
GT32-4DP-1.5H(A)(10)	782-0061-3-10	Brown			
GT32-4DP-1.5H(B)(10)	782-0062-6-10	Green			
GT32-4DP-1.5H(C)(10)	782-0063-9-10	Blue			
GT32-4DP-1.5H(D)(10)	782-0064-1-10	Black			

4-pos Board Connector (Straight SMT type)

● Flangeless type



Vacuum pick up tape applied

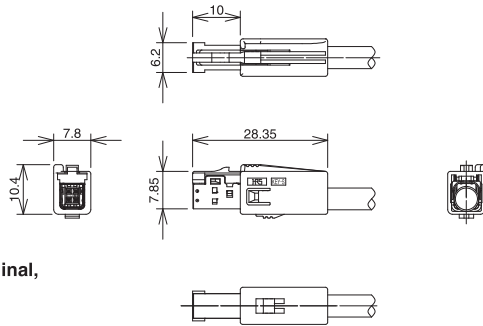
Standard Dark gray	Key A Brown	
Key B Green	Key C Blue	Key D Black

Part No.	HRS No.	Color	Material / Finish	Sales unit	RoHS
GT32-4DP-1.5V	782-0060-0	Dark gray	Housing : PA Center terminal : Brass/Tin plating Outer terminal : Copper alloy/Tin plating	1	○
GT32-4DP-1.5V(A)	782-0065-4	Brown			
GT32-4DP-1.5V(B)	782-0066-7	Green			
GT32-4DP-1.5V(C)	782-0067-0	Blue			
GT32-4DP-1.5V(D)	782-0068-2	Black			

Aug. 1, 2021 Copyright 2021 HIROSE ELECTRIC CO., LTD. All Rights Reserved.

■ 4-pos In-line Connector (GT32F Series)

● F Connector



- ◆ This product consists of five parts.
(Housing, insulated case, outer terminal, shield cover, and center terminal)

● Housing

Part No.	HRS No.	Material	Color	Sales unit	RoHS
GT32FS-4DS-HU	782-0054-8	PBT	Dark gray	1	○

● Insulated Case

Part No.	HRS No.	Material	Color	Sales unit	RoHS
GT32F-4DS-1.5C	782-0051-0	PBT	Light gray	1	○

● Outer Terminal

Part No.	HRS No.	Material	Finish	Sales unit	RoHS
GT32FS-4DS-5CF	782-0052-2	Copper alloy	Tin plating	1	○

● Shield Plate

Part No.	HRS No.	Material	Finish	Sales unit	RoHS
GT32FS-4DS-SC	782-0053-5	Copper alloy	Tin plating	1	○

● Center Terminal

Part No.	HRS No.	Material	Finish	Conductor size	Jacket outer diameter	Sales unit	RoHS
GT32-2428SCF	782-0007-8	Copper alloy	Tin plating	AWG#24~28	φ0.8~1.0	10,000 pcs/reel	○

◆ Mating Table

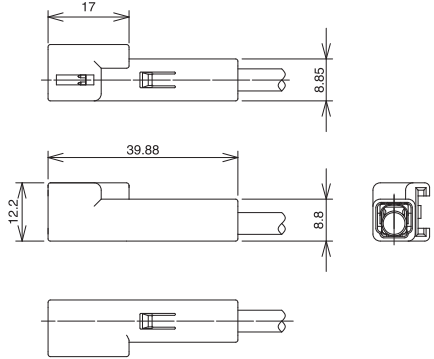
Color	F Connector	M Connector
	Straight plug connector	In-line connector
Dark gray	GT32FS-4DS-ASSY	GT32FS-4DP-ASSY

* There are no mating combinations with the board side, only the GT32F Series in-line type.

Aug. 1, 2021 Copyright 2021 HIROSE ELECTRIC CO., LTD. All Rights Reserved. GT5 GT13 GT16 GT19 GT32 FH65 FH40 FH35 FH67

■ 4-pos In-line Connector (GT32F Series)

● M Connector



- ◆ This product consists of five parts.
(Housing, insulated case, outer terminal, shield cover, and center terminal)

● Housing

Part No.	HRS No.	Material	Color	Sales unit	RoHS
GT32FS-4DP-HU	782-0049-8	PBT	Dark gray	1	○

● Insulated Case

Part No.	HRS No.	Material	Color	Sales unit	RoHS
GT32F-4DP-1.5C	782-0046-0	PBT	Light gray	1	○

● Outer Terminal

Part No.	HRS No.	Material	Finish	Sales unit	RoHS
GT32FS-4DP-5CF	782-0047-2	Copper alloy	Tin plating	1	○

● Shield Plate

Part No.	HRS No.	Material	Finish	Sales unit	RoHS
GT32FS-4DP-SC	782-0048-5	Copper alloy	Tin plating	1	○

● Center Terminal

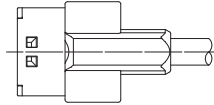
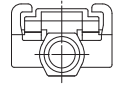
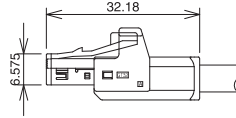
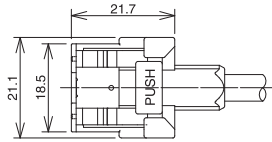
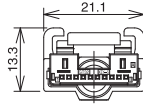
Part No.	HRS No.	Material	Finish	Conductor size	Jacket outer diameter	Sales unit	RoHS
GT32A-2428PCF	782-0050-7	Copper alloy	Tin plating	AWG#24~28	φ0.8~1.0	10,000 pcs/reel	○

◆ Mating Table

Color	F Connector	M Connector
	In-line connector	Straight plug connector
Dark gray	GT32FS-4DP-ASSY	GT32FS-4DS-ASSY

*Mating is for GT32F Series plug connectors only.

■ 10-pos Straight Connector



- ◆ This product consists of six parts.
(Housing, S insulated case, outer terminal,
shield cover, shield plate, and center terminal)

● Housing

Part No.	HRS No.	Material	Color	Sales unit	RoHS
GT32-10S-HU	782-0003-7	PBT	Dark gray	1	○

● S insulated case

Part No.	HRS No.	Material	Color	Sales unit	RoHS
GT32-10S-1.5C	782-0002-4	PBT	Light gray	1	○

● Outer Terminal

Part No.	HRS No.	Material	Finish	Sales unit	RoHS
GT32-10S-6CF	782-0004-0	Copper alloy	Tin plating	1	○

● Shield cover

Part No.	HRS No.	Material	Finish	Sales unit	RoHS
GT32-10S-SC	782-0005-2	Brass	Tin plating	1	○

● Shield Plate

Part No.	HRS No.	Material	Finish	Sales unit	RoHS
GT32-10S-SP	782-0006-5	Brass	Tin plating	1	○

● Center Terminal

Part No.	HRS No.	Material	Finish	Conductor size	Jacket outer diameter	Sales unit	RoHS
GT32-2428SCF	782-0007-8	Copper alloy	Tin plating	AWG#24~28	φ0.8~1.0	10,000 pcs/reel	○

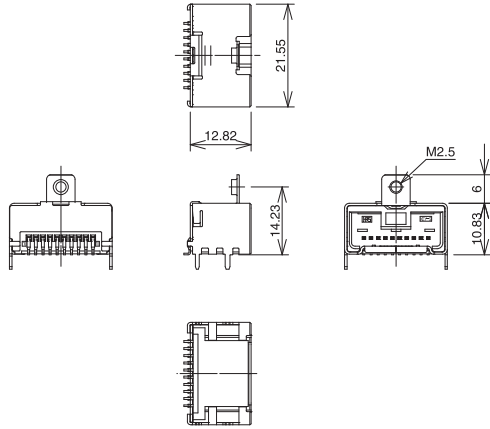
◆ Mating Table

Color	Cable side connector	Board connector	
		Right angle type	Straight type
Light gray	GT32-10S-ASSY	GT32-10P-1.5H	GT32-10P-1.5DSA

Aug. 1, 2021 Copyright 2021 HIROSE ELECTRIC CO., LTD. All Rights Reserved. GT13 GT16 GT19 GT32 FH65 FH40 FH35 FH67

■ 10-pos Board Connector (Right Angle SMT type)

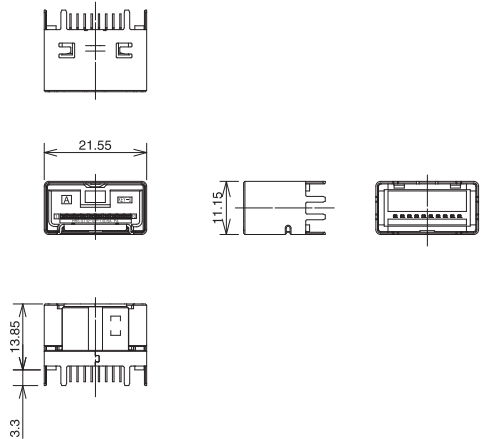
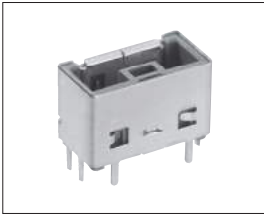
- Type with M2.5 Screw Flange



Part No.	HRS No.	Color	Material / Finish	Sales unit	RoHS
GT32-10P-1.5H	782-0001-1	Light gray	Housing : PPS Center terminal : Brass/Tin plating Outer terminal : Copper alloy/Tin plating	1	○

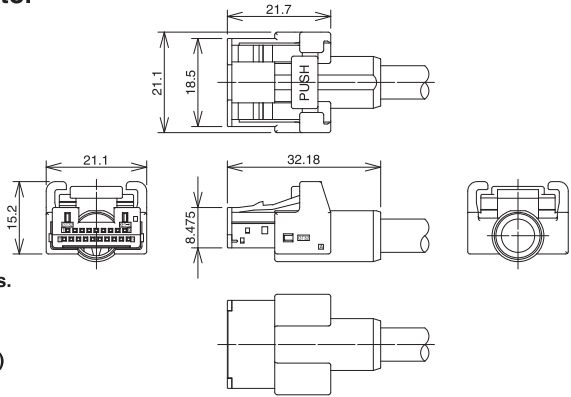
■ 10-pos Board Connector (Straight DIP type)

- Flangeless type



Part No.	HRS No.	Color	Material / Finish	Sales unit	RoHS
GT32-10P-1.5DSA	782-0080-0	Light gray	Housing : PPS Center terminal : Brass/Tin plating Outer terminal : Copper alloy/Tin plating	1	○

■ 19-pos Straight Connector



- ◆ This product consists of six parts.
(Housing, S insulated case A, S insulated case B, outer terminal, shield cover, and center terminal)

● Housing

Part No.	HRS No.	Material	Color	Sales unit	RoHS
GT32-19DS-HU	782-0013-0	PBT	Dark gray	1	○

● S Insulated Case A

Part No.	HRS No.	Material	Color	Sales unit	RoHS
GT32-19DS-0.75CA	782-0010-2	PBT	Light gray	1	○
GT32-19DS-0.75CA(A)	782-0018-4		Brown		

● S Insulated Case B

Part No.	HRS No.	Material	Color	Sales unit	RoHS
GT32-19DS-0.75CB	782-0014-3	PBT	Light gray	1	○
GT32-19DS-0.75CB(A)	782-0021-9		Brown		

● Outer Terminal

Part No.	HRS No.	Material	Finish	Sales unit	RoHS
GT32-19DS-7CF	782-0011-5	Copper alloy	Tin plating	1	○

● Shield Cover

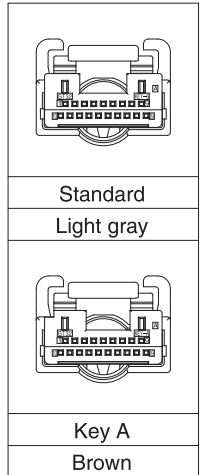
Part No.	HRS No.	Material	Finish	Sales unit	RoHS
GT32-19DS-SC	782-0012-8	Brass	Tin plating	1	○

● Center Terminal

Part No.	HRS No.	Material	Finish	Conductor size	Jacket outer diameter	Sales unit	RoHS
GT32-2428SCF	782-0007-8	Copper alloy	Tin plating	AWG#24~28	φ0.8~1.0	10,000 pcs/reel	○

◆ Mating Table

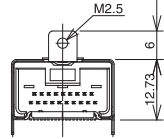
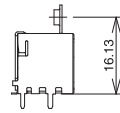
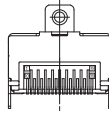
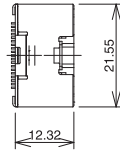
Color	Cable side connector	Board connector	
		Right angle type	Straight type
Light gray	GT32-19DS-ASSY	GT32-19DP-0.75H / GT32B-19DP-0.75H	GT32-19DP-0.75DSA
Brown	GT32-19DS-ASSY (Key type : A)	GT32-19DP-0.75H(A) / GT32B-19DP-0.75H(A)	GT32-19DP-0.75DSA(A)



Aug. 1, 2021 Copyright 2021 HIROSE ELECTRIC CO., LTD. All Rights Reserved. GT13 GT16 GT19 GT32 FH65 FH40 FH35 FH67

■ 19-pos Board Connector (Right Angle SMT type)

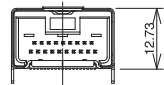
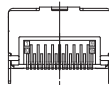
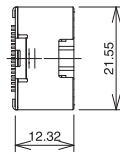
● Type with M2.5 Screw flange



Standard	Key A
Gray	Brown

Part No.	HRS No.	Color	Material / Finish	Sales unit	RoHS
GT32-19DP-0.75H	782-0009-3	Gray	Housing : PPS	1	○
GT32-19DP-0.75H(A)	782-0015-6	Brown	Center terminal : Brass/Tin plating Outer terminal : Phosphor bronze/Tin plating		

● Flangeless type

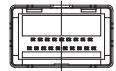
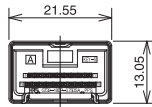
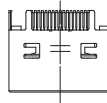


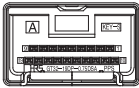
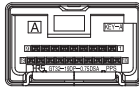
Standard	Key A
Gray	Brown

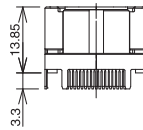
Part No.	HRS No.	Color	Material / Finish	Sales unit	RoHS
GT32B-19DP-0.75H	782-0069-0	Gray	Housing : PPS	1	○
GT32B-19DP-0.75H(A)	782-0082-0	Brown	Center terminal : Brass/Tin plating Outer terminal : Phosphor bronze/Tin plating		

■ 19-pos Board Connector (Straight DIP type)

● Type with M2.5 Screw Flange



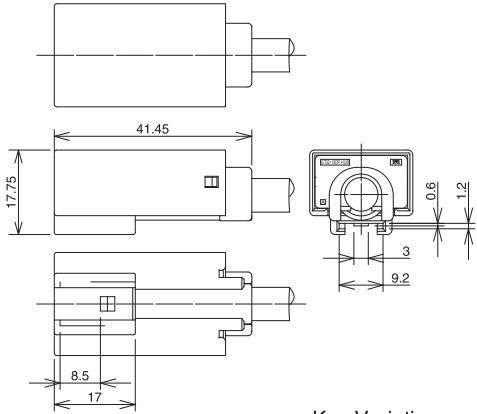
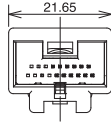
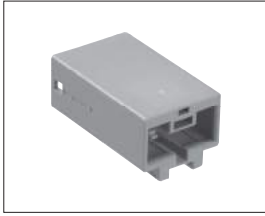
	
Standard	Key A
Gray	Brown



Part No.	HRS No.	Color	Material / Finish	Sales unit	RoHS
GT32-19DP-0.75DSA	782-0037-9	Gray	Housing : PPS	1	○
GT32-19DP-0.75DSA(A)	782-0045-7	Brown	Center terminal : Brass/Tin plating Outer terminal : Copper alloy/Tin plating		

Aug. 1, 2021 Copyright 2021 HIROSE ELECTRIC CO., LTD. All Rights Reserved. GT19 GT16 GT13 GT5 FH67 FH635 FH40 FH65

■ 19-pos In-line Connector



◆ This product consists of seven parts.
 (Housing A, housing B, P insulated case A, P insulated case B, outer terminal, shield cover, and center terminal)

● Housing A

Part No.	HRS No.	Material	Color	Sales unit	RoHS
GT32-19DP-HUA	782-0035-3	PBT	Light gray	1	○

● Housing B

Part No.	HRS No.	Material	Color	Sales unit	RoHS
GT32-19DP-HUB	782-0036-6	PBT	Light gray	1	○

● P insulated Case A

Part No.	HRS No.	Material	Color	Sales unit	RoHS
GT32-19DP-0.75CA	782-0031-2	PBT	Black	1	○

● P insulated Case B

Part No.	HRS No.	Material	Color	Sales unit	RoHS
GT32-19DP-0.75CB	782-0032-5	PBT	Light gray	1	○

● Outer Terminal

Part No.	HRS No.	Material	Finish	Sales unit	RoHS
GT32-19DP-7CF	782-0033-8	Copper alloy	Tin plating	1	○

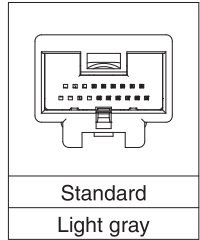
● Shield Cover

Part No.	HRS No.	Material	Finish	Sales unit	RoHS
GT32-19DP-SC	782-0034-0	Brass	Tin plating	1	○

● Center Terminal

Part No.	HRS No.	Material	Finish	Conductor size	Jacket outer diameter	Sales unit	RoHS
GT32-2428PCF	782-0030-0	Brass	Tin plating	AWG#24~28	φ0.8~1.0	10,000 pcs/reel	○

Key Variations



◆ Mating Table

Color	GT32HS 19-pos in-line connector	Cable side F connector
Light gray	GT32-19DP-ASSY	GT32-19DS-ASSY

◆ Crimping Tools

Please ask your Hirose Electric account representative for a user manual.

Automatic Crimping Machine

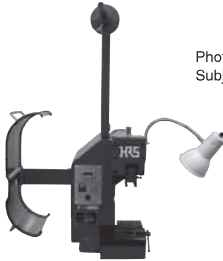


Photo for reference only.
Subject to change.

Specifications

Item	Specifications	Remarks
Press capacity	1.5tons	
Stroke length	30mm	
Number of strokes	200spm (50Hz)	240spm (60Hz)
Weight	75kg	
Motor	0.2kW	100V AC
Crimping speed	2,000-4,000/H	

Part No. CM-105C

Note : Please refer to the table below for applicator part numbers.

Applicator (for Mounting to Automatic Crimping Machines)

Contact Product No.	Contact HRS No.	Tool No.	Tool HRS No.
GT32-2428SCF	782-0007-8	AP105-GT32-2428S	901-5223-2
GT32-2428PCF	782-0030-0	AP105-GT32-2428P	901-
GT32A-2428PCF	782-0050-7	AP105-GT32A-2428P	901-5007-0

*1 : Different contact crimp heights are available for different cable types. Please contact your Hirose Electric account representative for details.

Other cables will require different crimp height settings. Please note that this may take a few days.

*2 : When purchasing HRS equipment, please contact your Hirose Electric account representative to confirm that the cable that you plan to use for the applicable terminal has been evaluated.

*3 : The applicators and tools listed here may not be applicable depending on the specifications of the cable you use.

Contact Insertion Tool

Contact Product No.	Contact HRS No.	Tool No.	Tool HRS No.
GT32-2428SCF	782-0007-8	GT32-CON/PR-MD	902-5125-0

* This tool is used only for inserting the GT32-2428SCF terminal into the S insulated case.

Please note that this tool cannot be used for other terminals or insulated cases.

● Hand press

Hand press



Part No. HOS-7

Outer Shell Caulking Tool (for Mounting Hand Press)

Terminal Product No.	Terminal HRS No.	Outer shell caulking tool part No.	Outer shell caulking tool HRS No.
GT32-4DS-5CF	782-0040-3	GT32-4DS-5/CR-MP	902-5519-5
GT32FS-4DS-5CF	782-0052-2	GT32-4DS-5/CR-MP(01)	902-5519-5-01
GT32FS-4DP-5CF	782-0047-2	GT32FS-4DP-5/CR-MP	902-5520-0
		GT32FS-4DP-5/CR-MP(01)	902-5520-0-01
GT32-10S-6CF	782-0004-0	GT32-10S-6/CR-MP	902-5118-4
		GT32-10S-6/CR-MP(01)	902-5118-4-01
GT32-19DS-7CF	782-0011-5	GT32-19DS-7/CR-MP	902-5124-7
		GT32-19DS-7/CR-MP(01)	902-5124-7-01
GT32-19DP-7CF	782-0033-8	GT32-19DP-7/CR-MP	902-
		GT32-19DP-7/CR-MP(01)	902-

*1 : The outer shell caulking tool with (01) specifications is sold as a bundle with the HOS-7 hand press.

*2 : Different contact crimp heights are available for different cable types. Please contact your Hirose Electric account representative for details. Please note that we will need to define new crimp heights for novel cables and this may take a few days.

*3 : When purchasing HRS equipment, please contact your Hirose Electric account representative to confirm that the cable that you plan to use for the applicable terminal has been evaluated.

*4 : The applicators and tools listed here may not be applicable depending on the specifications of the cable you use.

Please refer to our cable termination procedure manual for performing terminations.

X-ON Electronics

Largest Supplier of Electrical and Electronic Components

Click to view similar products for [Automotive Connectors](#) category:

Click to view products by [Hirose](#) manufacturer:

Other Similar products are found below :

[003-018-000](#) [60403001](#) [60993906-B](#) [M902-2131](#) [M902-2161](#) [72.330.1035.1](#) [73.353.4028.0](#) [F119300-B](#) [F166900](#) [F258300-B](#) [F358300-B](#)
[F407400](#) [F444110](#) [F487000](#) [F509500B-B](#) [827153-1](#) [8N1515-32-24P](#) [9-1326729-8](#) [925474-1](#) [928905-1](#) [964562-4](#) [968782-1](#) [GT17SA-8DS-](#)
[HU](#) [98891-1012](#) [98947-1016](#) [12004475-L](#) [12010290](#) [12010309-B](#) [12015454](#) [12020219-B](#) [12020308](#) [12041318-B](#) [12052225-L](#) [12052466](#)
[12059125](#) [12064869](#) [12004327-B](#) [12010503-B](#) [12015308](#) [12015384](#) [12015909](#) [1-21030-1](#) [12041254](#) [12041318](#) [12047946-B](#) [12047957](#)
[12047957-L](#) [12059473](#) [12066261](#) [12110546](#)