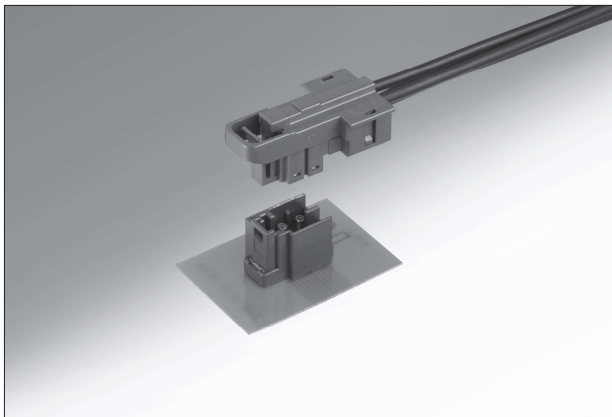


# GT36 Series

— Board Straight, Cable Side Right Angle Coaxial Connector —



## ■ Features

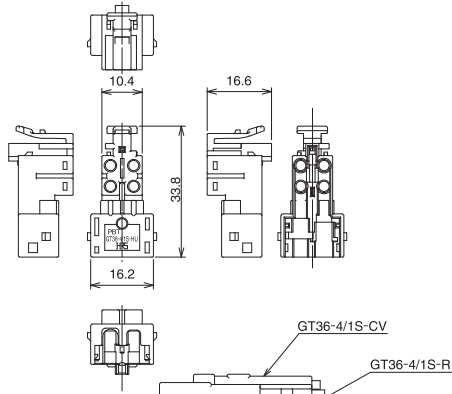
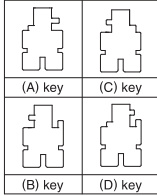
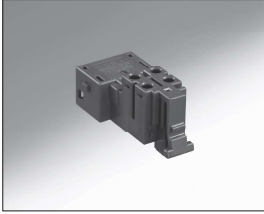
- Supported frequency range DC to 2.5 GHz
- Board connector straight type/Cable connector right-angle type

## ■ Applications

Various antennas within the DC to 2.5 GHz frequency range

Aug. 1, 2021 Copyright 2021 HIROSE ELECTRIC CO., LTD. All Rights Reserved.

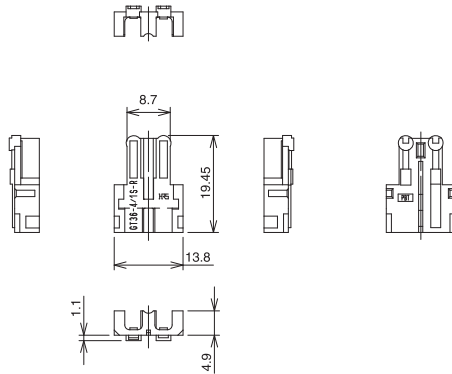
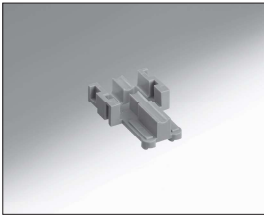
## ■ Housing for F Connector (4 Coaxial)



Shown with retainer and cover attached.

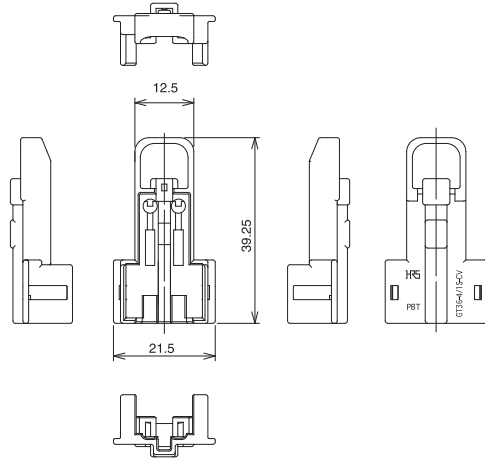
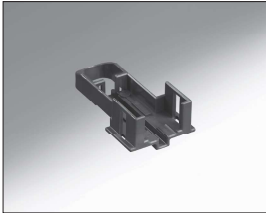
Part No.	HRS No.	Material	Color	Key position	Sales unit	RoHS
GT36-4/1S-HU(A)-A	786-0065-0	PBT	Brown	(A)	1	○
GT36-4/1S-HU(B)-A	786-0066-2		Green	(B)		
GT36-4/1S-HU(C)-A	786-0067-5		Blue	(C)		
GT36-4/1S-HU(D)-A	786-0068-8		Black	(D)		

## ■ Retainer for F Connector



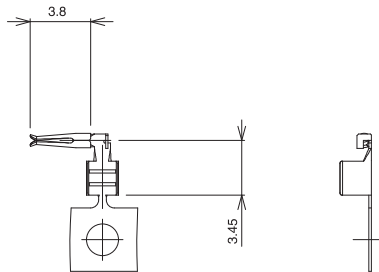
Part No.	HRS No.	Material	Color	Sales unit	RoHS
GT36-4/1S-R-A	786-0069-0	PBT	Light gray	1	○

## ■ Cover for F Connector



Part No.	HRS No.	Material	Color	Sales unit	RoHS
GT36-4/1S-CV-A	786-0070-0	PBT	Dark gray	1	○

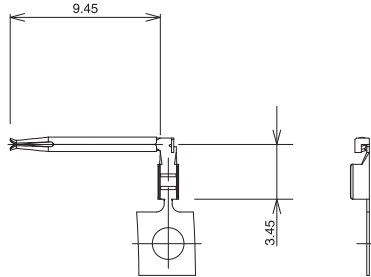
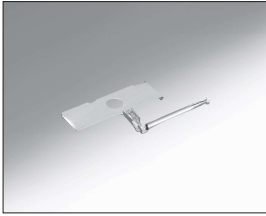
## ■ Center Terminal for F Connector (Short)



Part No.	HRS No.	Material / Finish or color	Applicable wire	Sales unit	RoHS
GT36A-2022SCF	786-0028-3	Center terminal : Phosphor bronze / Tin plating	2.5D-2V	12,000 pcs/reel	○
GT36-2428SCF	786-0001-7		1.5D-2V	13,000 pcs/reel	

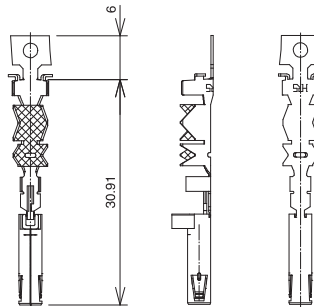
Aug. 1, 2021 Copyright 2021 HIROSE ELECTRIC CO., LTD. All Rights Reserved.

### Center Terminal for F Connector (Long)



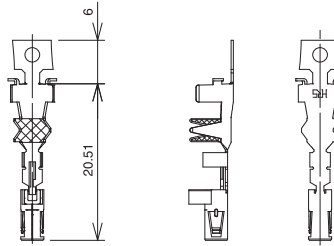
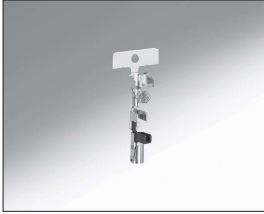
Part No.	HRS No.	Material / Finish or color	Applicable wire	Sales unit	RoHS
GT36-2428SCF(A)	786-0010-8	Center terminal : Phosphor bronze /Tin plating	1.5D-2V	9,000 pcs/reel	○
GT36-30SCF(ID)(A)	786-0042-4		1.5C-2V (single wire)	12,000 pcs/reel	

### Outer Terminal for F Connector (Long)



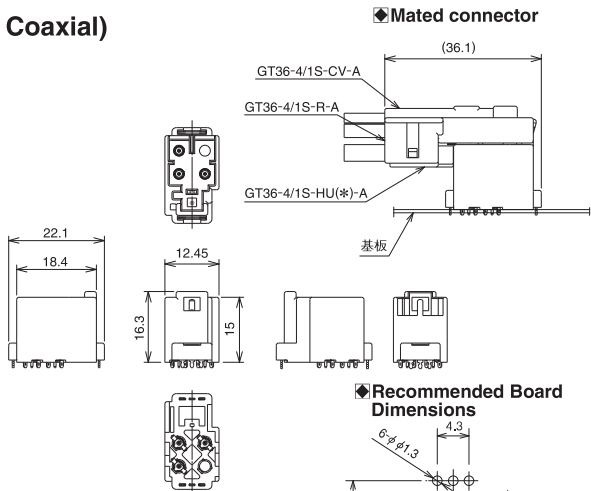
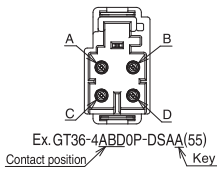
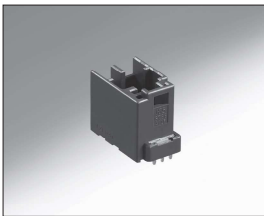
Part No.	HRS No.	Material / Finish or color	Applicable wire	Sales unit	RoHS
GT36-1.6-2.9SCF(A)-B	786-0114-0	Insulator : PBT/Dark gray Outer terminal : Brass/Tin plating	1.5D-2V	6,500 pcs/reel	○

## Outer Terminal for F Connector (Short)

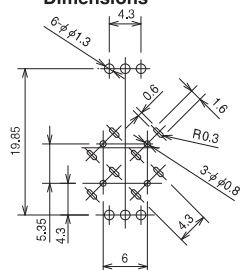


Part No.	HRS No.	Material / Finish or color	Applicable wire	Sales unit	RoHS
GT36-3.3-3.8SCF	786-0005-8	Insulator : PBT/Dark gray Outer terminal : Brass/Tin plating	2.5D-2V	5,000 pcs/reel	○
GT36-1.6-2.9SCF	786-0003-2		1.5D-2V	3,000 pcs/reel	

## Board Connector (4 Coaxial)



### Recommended Board Dimensions



Part No.	HRS No.	Material	Color	Sales unit	RoHS
GT36-4ABD0P-DSAA(55)	786-0011-0 55	PA	Brown	200 pcs/reel	○
GT36-4A0P-DSAC(55)	786-0012-3 55		Blue		
GT36-4D0P-DSAC(55)	786-0013-6 55		Green		
GT36-4BD0P-DSAB(55)	786-0014-9 55				

\*Applicable board thickness: T = 0.8 mm.

## ◆ Crimping Tools

Please ask your Hirose Electric account representative for a user manual.

### Automatic Crimping Machine



Photo for reference only.  
Subject to change.

### Specifications

Item	Specifications	Remarks
Press capacity	1,5tons	
Stroke length	30mm	
Number of strokes	200spm (50Hz)	200spm (60Hz)
Weight	75kg	
Motor	0.2kW	AC100V
Crimping speed	2,000~4,000/H	

Part No. CM-105C

\*Terminal crimp height setting tables are available for each cable type.

Please contact your nearest Hirose Electric account representative.

\*Applicator required for each cable.

### Applicator (for Mounting to Automatic Crimping Machines)

Contact Product No.	Contact HRS No.	Tool No.	Tool HRS No.
GT36A-2022SCF	786-0028-3	AP105-GT36A-2022S	901-5220-4
GT36-2428SCF	786-0001-7	AP105-GT36-2428S	901-5222-0
GT36-2428SCF(A)	786-0010-8	AP105-GT36-2428S(A)	901-5212-6
GT36-30SCF(ID)(A)	786-0042-4	AP105-GT36-30SI(A)	901-5225-8
GT36-3,3~3,8SCF	786-0005-8	GT36-3338S/CK-AD	902-5113-0
GT36-1,6~2,9SCF	786-0003-2	GT36-1629S/CK-AD	902-5116-9
GT36-1,6~2,9SCF(A)	786-0004-5	GT36-1629S(A)/CK-AD	902-5112-8

Please refer to our cable termination procedure manual for performing terminations.

## X-ON Electronics

Largest Supplier of Electrical and Electronic Components

*Click to view similar products for [Automotive Connectors](#) category:*

*Click to view products by [Hirose](#) manufacturer:*

Other Similar products are found below :

[003-018-000](#) [60403001](#) [60993906-B](#) [M902-2131](#) [M902-2161](#) [72.330.1035.1](#) [73.353.4028.0](#) [F119300-B](#) [F166900](#) [F258300-B](#) [F358300-B](#)  
[F407400](#) [F444110](#) [F487000](#) [F509500B-B](#) [827153-1](#) [8N1515-32-24P](#) [9-1326729-8](#) [925474-1](#) [928905-1](#) [964562-4](#) [968782-1](#) [GT17SA-8DS-](#)  
[HU](#) [98891-1012](#) [98947-1016](#) [12004475-L](#) [12010290](#) [12010309-B](#) [12015454](#) [12020219-B](#) [12020308](#) [12041318-B](#) [12052225-L](#) [12052466](#)  
[12059125](#) [12064869](#) [12004327-B](#) [12010503-B](#) [12015308](#) [12015384](#) [12015909](#) [1-21030-1](#) [12041254](#) [12041318](#) [12047946-B](#) [12047957](#)  
[12047957-L](#) [12059473](#) [12066261](#) [12110546](#)