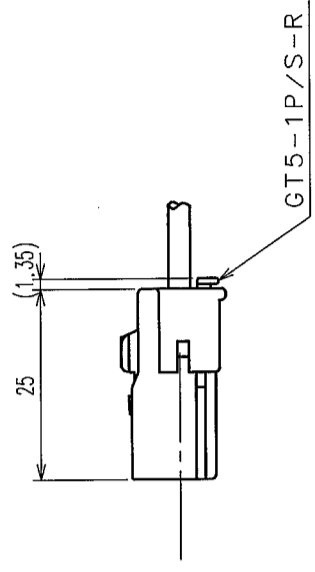
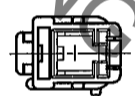
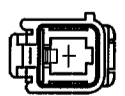
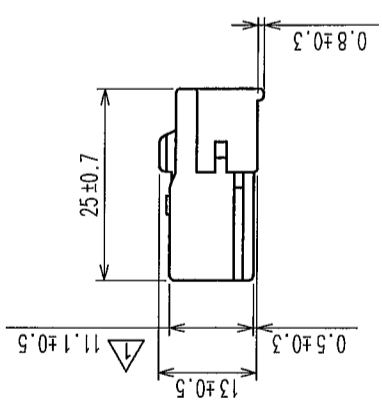
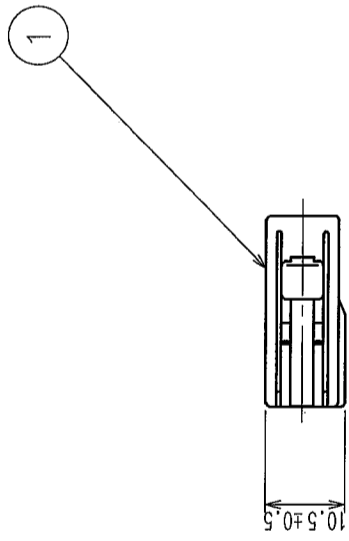
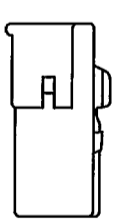
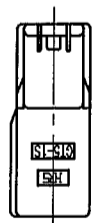


Sep.1.2021 Copyright 2021 HIROSE ELECTRIC CO., LTD. All Rights Reserved.
 In case of consideration for using Automotive equipment / device which demand high reliability, kindly contact our sales window correspondents.

COUNT	DESCRIPTION OF REVISIONS	BY	CHKD	DATE	COUNT	DESCRIPTION OF REVISIONS	BY	CHKD	DATE
1	RE-T-00705	K.N	M.O	02.4.9					



CONNECTOR ASSEMBLED WITH A RETAINER



NOTE1. THIS CONNECTOR SHALL BE USED WITH A RETAINER
(CL755-0006-2).

HRS DRAWING FOR REFERENCE

2				4					
1	PBT	SIGNAL BLUE		3					
NO.	MATERIAL	FINISH, REMARKS	NO.	MATERIAL	FINISH, REMARKS	DESIGNED	CHECKED	APPROVED	RELEASED
CODE NO. (OLD)						DRAWN	DESIGNED		
						K.NEI	K.NEI		
						02.2.16	02.2.16		
							M.OKADA	K.SAITO	
						02.2.16	02.2.16	02.2.16	
DRAWING NO.		PART NO.		FINISH, REMARKS					
EDC3-165586		GT5-1S-HU(C)							
SCALE		UNITS		CODE NO.					
1 : 1		mm		CL755-0080-5					
				HRS					
				HIROSE ELECTRIC CO., LTD					

TO

X-ON Electronics

Largest Supplier of Electrical and Electronic Components

Click to view similar products for [Automotive Connectors](#) category:

Click to view products by [Hirose](#) manufacturer:

Other Similar products are found below :

[003-018-000](#) [60403001](#) [60993906-B](#) [M902-2131](#) [M902-2161](#) [72.330.1035.1](#) [73.353.4028.0](#) [F119300-B](#) [F166900](#) [F258300-B](#) [F358300-B](#)
[F407400](#) [F444110](#) [F487000](#) [F509500B-B](#) [827153-1](#) [8N1515-32-24P](#) [9-1326729-8](#) [925474-1](#) [928905-1](#) [964562-4](#) [968782-1](#) [GT17SA-8DS-](#)
[HU](#) [98891-1012](#) [98947-1016](#) [12004475-L](#) [12010290](#) [12010309-B](#) [12015454](#) [12020219-B](#) [12020308](#) [12041318-B](#) [12052225-L](#) [12052466](#)
[12059125](#) [12064869](#) [12004327-B](#) [12010503-B](#) [12015308](#) [12015384](#) [12015909](#) [1-21030-1](#) [12041254](#) [12041318](#) [12047946-B](#) [12047957](#)
[12047957-L](#) [12059473](#) [12066261](#) [12110546](#)