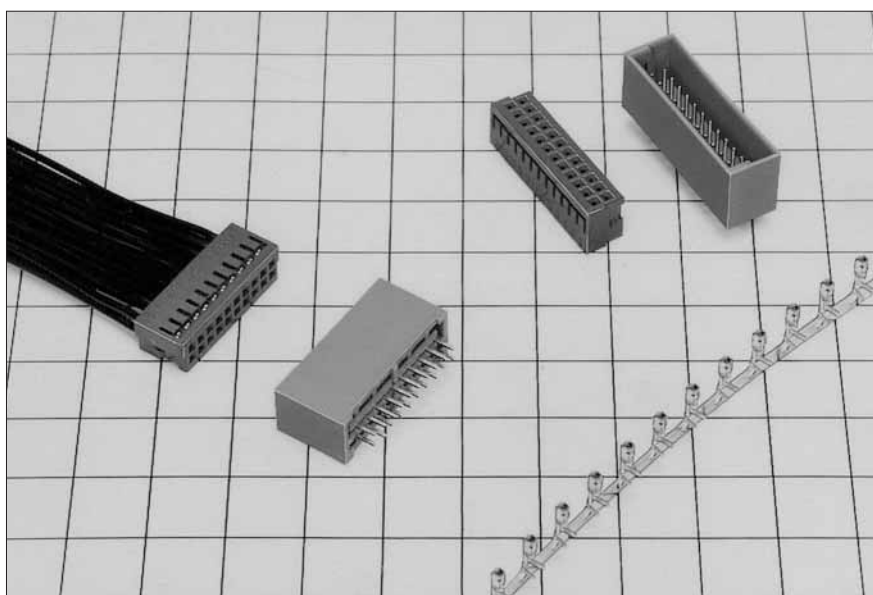


Connections of the Various Units and Device Interiors

GT8 Series

— High-Pressure Connectors — <GT8, GT8A, GT8Z and GT8E>



■ Features

<GT8, GT8A, GT8Z>

Crimp Terminals

- Use of an air-tight dimple construction at the contact portion serves to prevent oxidation of the contact portion.
- F Connector Housing
- Terminal number markings appear in a large size in consideration of insertion processing.
- Form designed to prevent erroneous insertion.

M Connectors

- Designed with escape holes for washing liquid to escape so that secondary soiling may be prevented when the board has been washed.
- The surrounding wall of the terminal has been constructed higher than the terminal so as to prevent terminal bending.

The others

- The F connector housing fits entirely inside of the M connector to prevent incomplete insertion and prevents twisting and other problems. The F connector is guarded so that there is no slanting nor contact movement, and the connector is resistant to vibration.
- The color of the F connector housing and the M connector have been changed to prevent incomplete insertion.

M Connectors (SMT Product)

- Instead of using screws for board fastening, a lead reflow type of reinforced fitting is used that permits soldering at the time of reflow.

■ Applications

Internal connections of mobile units and industrial equipments.

GT 5

GT 13

GT 16

PO5G

GT 11

GT 14

GT 17

GT 19

GT 3

GT 6W

GT 7

GT 10

GT 18W

GT 15

GT 8

GT 9

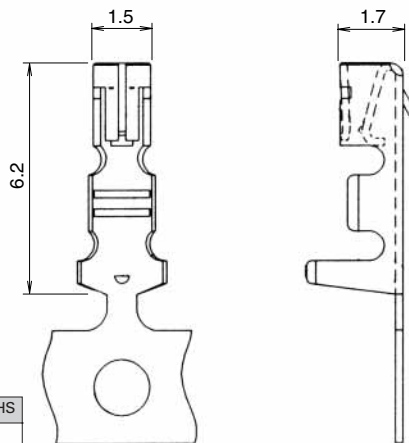
GT 25

Connections of the Various Units
and Device Interiors

GT8 Series

■ F Connectors

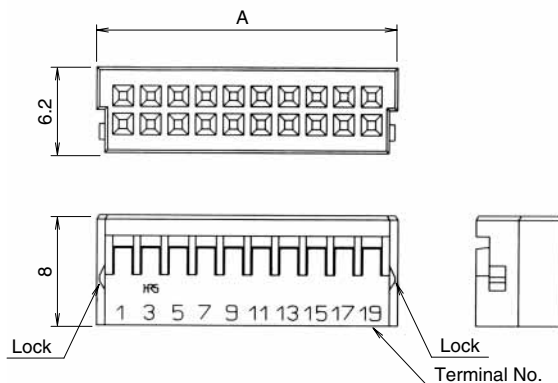
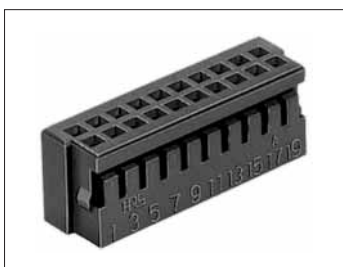
● Terminals



| Part Number | CL No. | Material | Finish | Packaging | RoHS |
|-----------------|---------------|-----------------|-------------|----------------------|------|
| GT8-2428SCF(70) | 758-0001-8-70 | Phosphor bronze | Tin plating | 10,000 pcs. per reel | YES |
| GT8-2022SCF | 758-0026-9 | Phosphor bronze | Tin plating | 10,000 pcs. per reel | |
| GT8E-2022SCF | 758-0033-4 | Phosphor bronze | Tin plating | 10,000 pcs. per reel | |
| GT8B-2428SCF | 758-0055-7 | Phosphor bronze | Tin plating | 10,000 pcs. per reel | |

GT8-2428SC(70) loose terminals for hand tools are also available. There are 100 pieces per package.

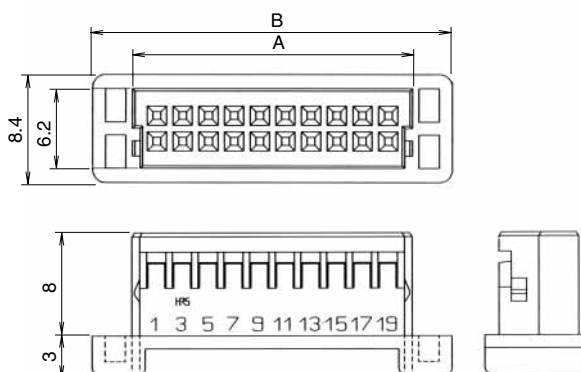
● Housing (Without Flange)



| Part Number | CL No. | Material | Color | Number of positions | A dimension | Specifications | Packaging | RoHS |
|--------------|------------|----------|-----------|---------------------|-------------|----------------|-----------|------|
| GT8-14DS-2C | 758-0018-0 | PBT | Dark gray | 14 | 15.8 | Without lock | 1 | YES |
| GT8-20DS-2C | 758-0003-3 | | | 20 | 21.8 | | 1 | |
| GT8-24DS-2C | 758-0005-9 | | | 24 | 25.8 | | 1 | |
| GT8A-20DS-2C | 758-0011-1 | | | 20 | 21.8 | | 1 | |
| GT8A-24DS-2C | 758-0012-4 | | | 24 | 25.8 | | 1 | |

Note : Applicable terminal is GT8-2022SCF, GT8-2428SCF(70).

● Housing (With Flange)



| Part Number | CL No. | Material | Color | Number of positions | A dimension | B dimension | Packaging | RoHS |
|--------------|------------|----------|-----------|---------------------|-------------|-------------|-----------|------|
| GT8Z-14DS-2C | 758-0009-0 | PBT | Dark gray | 14 | 15.8 | 22 | 1 | YES |
| GT8Z-20DS-2C | 758-0007-4 | | | 20 | 21.8 | 28 | 1 | |
| GT8Z-24DS-2C | 758-0008-7 | | | 24 | 25.8 | 32 | 1 | |

Note1 : This product mates with GT8- or GT8A-*DP-2DSA(70).
 Note2 : Applicable terminal is GT8-2022SCF, GT8-2428SCF(70).

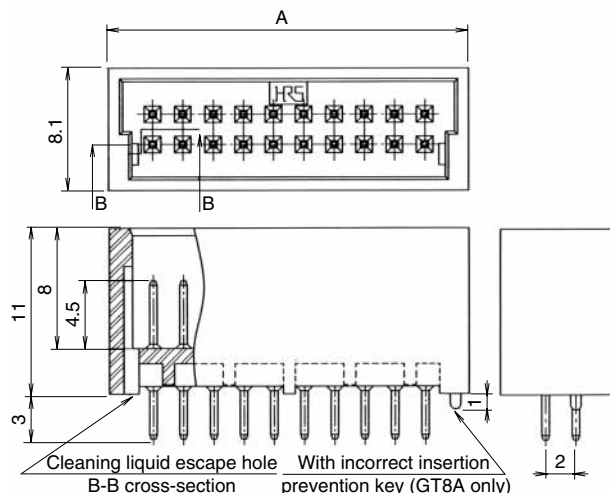
M Connectors

Board Type



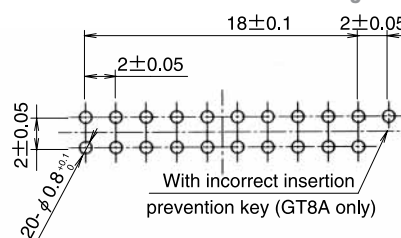
| Material | Finish |
|----------|-------------------|
| PBT | Color: Light gray |
| Brass | Tin plating |

Note: This product is of a one-piece design.

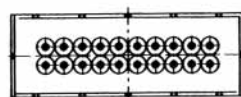
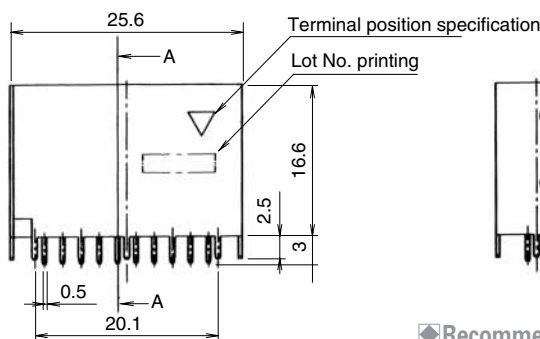
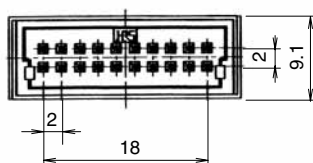


| Part Number | CL No. | Number of positions | A dimension | Specifications | Packaging | RoHS |
|--------------------|-------------------|---------------------|-------------|------------------------------------|-----------|------|
| GT8-14DP-2DSA(70) | Under development | 14 | — | Incorrect insertion prevention key | 1 | YES |
| GT8-20DP-2DSA(70) | 758-0004-6-70 | 20 | 23.8 | | 1 | |
| GT8-24DP-2DSA(70) | 758-0006-1-70 | 24 | 27.8 | | 1 | |
| GT8A-14DP-2DSA(70) | 758-0010-9-70 | 14 | 17.8 | | 1 | |
| GT8A-20DP-2DSA(70) | 758-0013-7-70 | 20 | 23.8 | | 1 | |
| GT8A-24DP-2DSA(70) | 758-0014-0-70 | 24 | 27.8 | | 1 | |

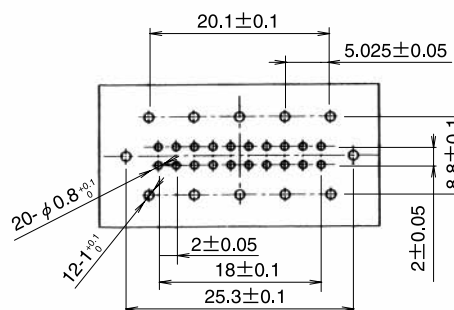
Recommended PCB Mounting Pattern



Type With Feed-through Capacitor



Recommended PCB Mounting Pattern



| Part Number | CL No. | Packaging | RoHS |
|--------------------|---------------|-----------|------|
| GT8C-20DP-2DSA(70) | 758-0015-2-70 | 1 | YES |

* Capacitor value of 1,000 pF is standard.
 Should you have other requirements, please contact a Hirose Electric account representative.

- GT 5
- GT 13
- GT 16
- PO5G
- GT 11
- GT 14
- GT 17
- GT 19
- GT 3
- GT 6W
- GT 7
- GT 10
- GT 18W
- GT 15
- GT 8
- GT 9
- GT 25

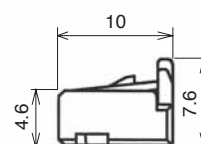
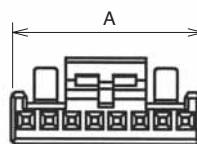
Connections of the Various Units and Device Interiors

GT8 Series

GT8E Series

F Connectors

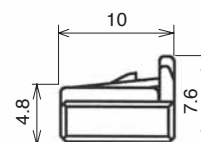
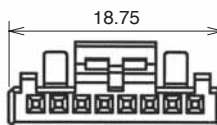
● Housing(with lock)



| Part Number | CL No. | Material | Color | Number of positions | A dimension | Packaging | RoHS |
|-------------|------------|----------|-------|---------------------|-------------|-----------|------|
| GT8E-2S-2C | 758-0030-6 | PBT | Black | 2 | 7.1 | 1 | YES |
| GT8E-8S-2C | 758-0029-7 | PBT | Black | 8 | 16.6 | 1 | |

Note 1: Applicable terminal is GT8E-2022SCF, GT8B-2428SCF.
 Note 2: GT8E-2S-2C mates with GT8E-2P-2H(70), GT8E-8/2P-2H(70) or GT8E-2P-DS.
 GT8E-8S-2C mates with GT8E-8/2P-2H(70).

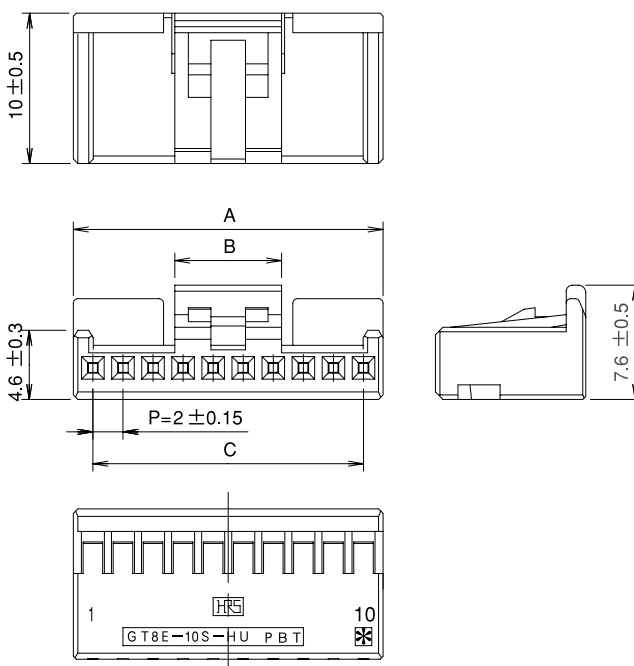
● Housing(with lock)



| Part Number | CL No. | Material | Color | Number of positions | Packaging | RoHS |
|-------------|------------|----------|-------|---------------------|-----------|------|
| GT8E-8DS-2C | 758-0027-1 | PBT | Black | 8 | 1 | YES |

Note 1: Applicable terminal is GT8-2022SCF, GT8-2428SCF(70).
 Note 2: This product mates with GT8E-8DP-2H(70).

● Single row Housing(with lock)

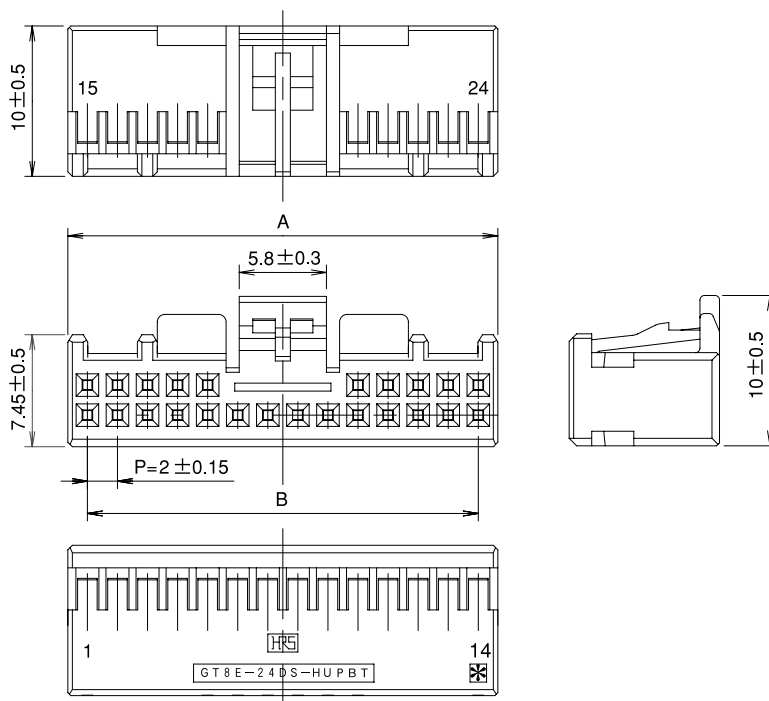
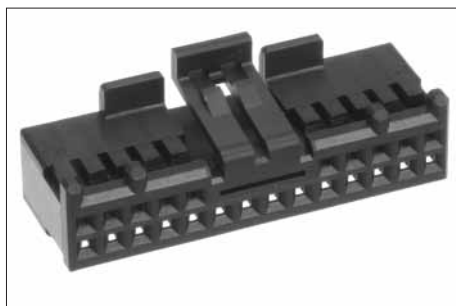


| Part Number | CL No. | Material | Color | Number of positions | A dimension | B dimension | C dimension | Packaging | RoHS |
|-------------|------------|----------|-------|---------------------|-------------|-------------|-------------|-----------|------|
| GT8E-3S-HU | 758-0061-0 | PBT | Black | 3 | 7.9±0.5 | 7.9±0.5 | 4±0.15 | 1 | YES |
| GT8E-4S-HU | 758-0047-9 | PBT | Black | 4 | 8.6±0.5 | 8.6±0.5 | 6±0.15 | 1 | |
| GT8E-5S-HU | 758-0062-2 | PBT | Black | 5 | 12±0.5 | 7.1±0.5 | 8±0.15 | 1 | |
| GT8E-6S-HU | 758-0048-1 | PBT | Black | 6 | 12.6±0.5 | 7.1±0.5 | 10±0.15 | 1 | |
| GT8E-7S-HU | 758-0063-5 | PBT | Black | 7 | 15.6±0.5 | 7.1±0.5 | 12±0.15 | 1 | |
| GT8E-8S-HU | 758-0049-4 | PBT | Black | 8 | 16.6±0.5 | 7.1±0.5 | 14±0.15 | 1 | |
| GT8E-10S-HU | 758-0050-3 | PBT | Black | 10 | 20.6±0.7 | 7.1±0.5 | 18±0.15 | 1 | |

Note 1: Applicable terminal is GT8E-2022SCF, GT8B-2428SCF.

Note 2: This product mates with GT8E-*P-DS.

● Double row Housing(with lock)



| Part Number | CL No. | Material | Color | Number of positions | A dimension | B dimension | Packaging | RoHS |
|--------------|--------------|----------|-------|---------------------|-------------|-------------|-----------|------|
| GT8E-12DS-HU | CL758-0051-6 | PBT | Black | 12 | 16.6±0.5 | 14±0.15 | 1 | YES |
| GT8E-16DS-HU | CL758-0064-8 | PBT | Black | 16 | 21.85±0.7 | 18±0.15 | 1 | |
| GT8E-20DS-HU | CL758-0052-9 | PBT | Black | 20 | 24.6±0.7 | 22±0.15 | 1 | |
| GT8E-24DS-HU | CL758-0054-4 | PBT | Black | 24 | 28.6±0.7 | 26±0.15 | 1 | |

Note 1: Applicable terminal is GT8E-2022SCF, GT8B-2428SCF.

Note 2: This product mates with GT8E-*DP-DS.

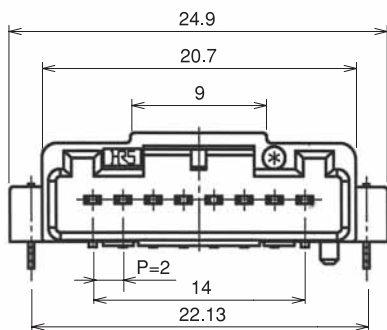
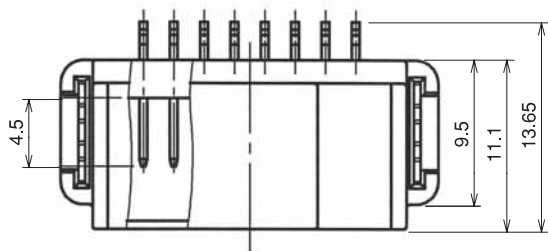
- GT 5
- GT 13
- GT 16
- PO5G
- GT 11
- GT 14
- GT 17
- GT 19
- GT 3
- GT 6W
- GT 7
- GT 10
- GT 18W
- GT 15
- GT 8
- GT 9
- GT 25

Connections of the Various Units and Device Interiors

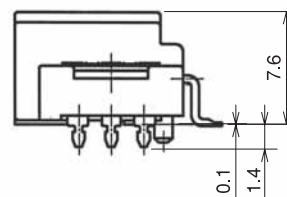
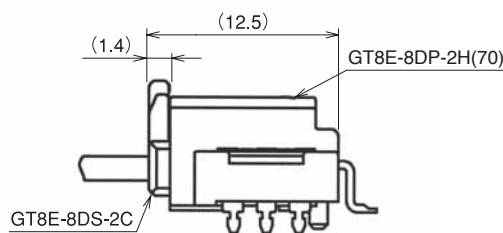
GT8 Series

M Connector

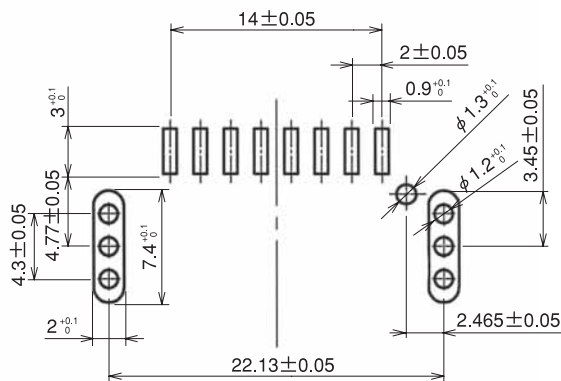
● **Boad type (SMT type, 8 positions)**



◆ **Fully mated connector assemblies**



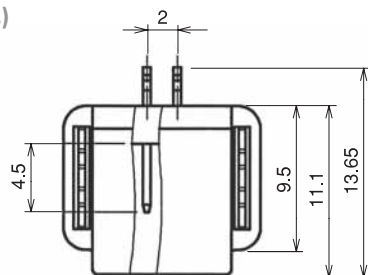
◆ **Recommended PCB Mounting Pattern**



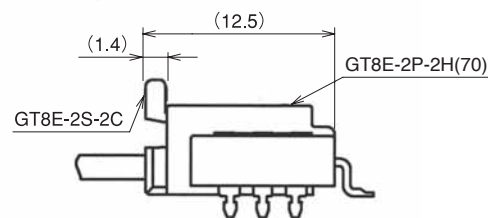
| Part Number | CL No. | Material | Finish | Packaging | RoHS |
|-----------------|---------------|---------------------------|--------------|-----------------|------|
| GT8E-8DP-2H(70) | 758-0028-4-70 | PPS(Housing) | Color :Black | 400pcs.per reel | YES |
| | | Brass(Contact) | Tin plated | | |
| | | Brass(Reinforced fitting) | Tin plated | | |

Note 1: Applicable housing is GT8E-8DS-2C.

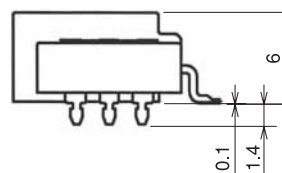
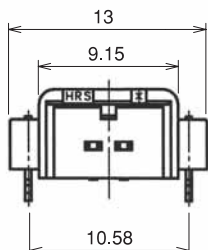
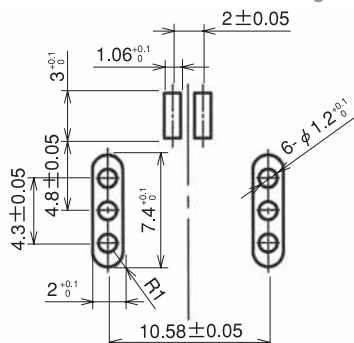
● Board type(SMT type, 2 positions)



◆ Fully mated connector assemblies



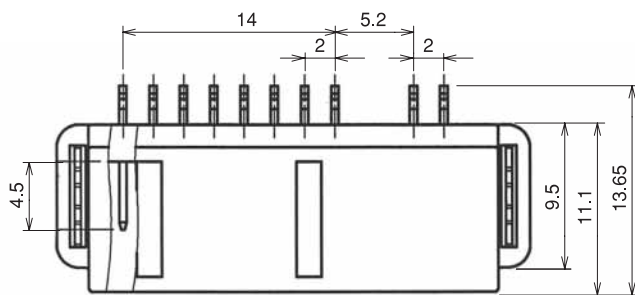
◆ Recommended PCB Mounting Pattern



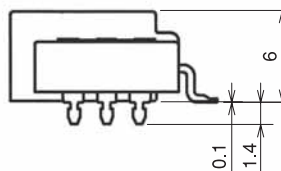
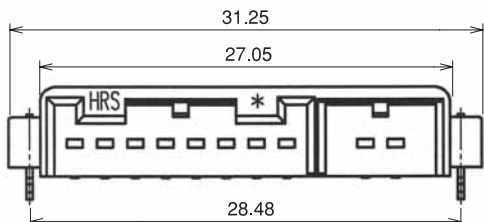
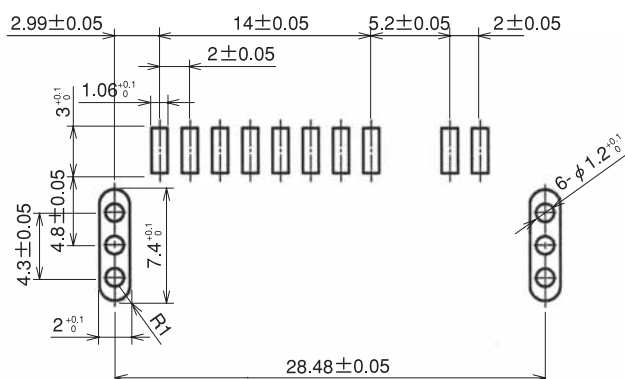
| Part Number | CL No. | Material | Finish | Packaging | RoHS |
|----------------|---------------|----------------------|-------------|-----------------|------|
| GT8E-2P-2H(70) | 758-0032-1-70 | PPS(Housing) | Color Black | 500pcs.per reel | YES |
| | | Brass(Contact) | Tin plated | | |
| | | Brass(Metal fitting) | Tin plated | | |

Note 1: Applicable housing is GT8E-2S-2C.

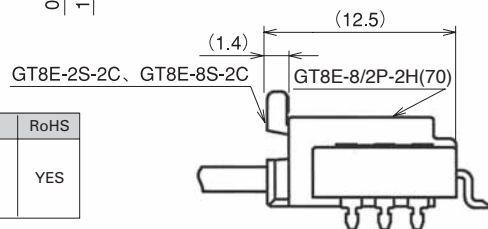
● Board type(SMT type, 8/2 positions)



◆ Recommended PCB Mounting Pattern



◆ Fully mated connector assemblies



| Part Number | CL No. | Material | Finish | Packaging | RoHS |
|------------------|---------------|----------------------|-------------|-----------------|------|
| GT8E-8/2P-2H(70) | 758-0031-9-70 | PPS(Housing) | Color Black | 500pcs.per reel | YES |
| | | Brass(Contact) | Tin plated | | |
| | | Brass(Metal fitting) | Tin plated | | |

Note 1: Applicable housing is GT8E-2S-2C, GT8E-8S-2C.

- GT 5
- GT 13
- GT 16
- PO5G
- GT 11
- GT 14
- GT 17
- GT 19
- GT 3
- GT 6W
- GT 7
- GT 10
- GT 18W
- GT 15
- GT 8
- GT 9
- GT 25

Connections of the Various Units and Device Interiors

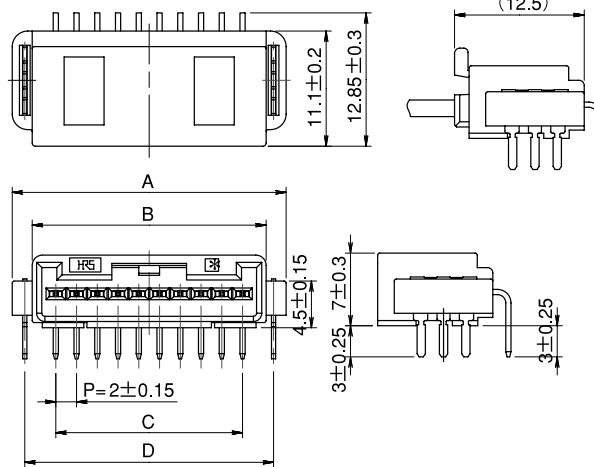
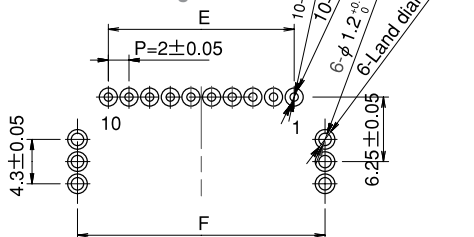
GT8 Series

● Boad type(Single row DIP type)

◆ Fully mated connector assemblies



◆ Recommended PCB Mounting Pattern



| Part Number | CL No. | Number of potions | A dimension Tolerance±0.5 | B dimension Tolerance±0.5 | C dimension Tolerance±0.5 | D dimension Tolerance±0.2 | E dimension Tolerance±0.05 | F dimension Tolerance±0.05 | Packaging | RoHS |
|-------------|------------|-------------------|------------------------------|------------------------------|------------------------------|------------------------------|-------------------------------|-------------------------------|-----------|------|
| GT8E-2P-DS | 758-0040-0 | 2 | 13 | 9.15 | 2 | 10.58 | 2 | 10.58 | 1 | YES |
| GT8E-3P-DS | 758-0057-2 | 3 | 13.7 | 9.85 | 4 | 11.28 | 4 | 11.28 | 1 | |
| GT8E-4P-DS | 758-0041-2 | 4 | 14.4 | 10.55 | 6 | 11.98 | 6 | 11.98 | 1 | |
| GT8E-5P-DS | 758-0058-5 | 5 | 17.8 | 13.95 | 8 | 15.38 | 8 | 15.38 | 1 | |
| GT8E-6P-DS | 758-0042-5 | 6 | 18.4 | 14.55 | 10 | 15.98 | 10 | 15.98 | 1 | |
| GT8E-7P-DS | 758-0059-8 | 7 | 21.4 | 17.55 | 12 | 18.98 | 12 | 18.98 | 1 | |
| GT8E-8P-DS | 758-0043-8 | 8 | 22.4 | 18.55 | 14 | 19.98 | 14 | 19.98 | 1 | |
| GT8E-10P-DS | 758-0044-0 | 10 | 26.4 | 22.55 | 18 | 23.98 | 18 | 23.98 | 1 | |

| Material | Finish |
|----------------------|-------------|
| PBT(Housing) | Color Black |
| Brass(Contact) | Tin plated |
| Brass(Metal fitting) | Tin plated |

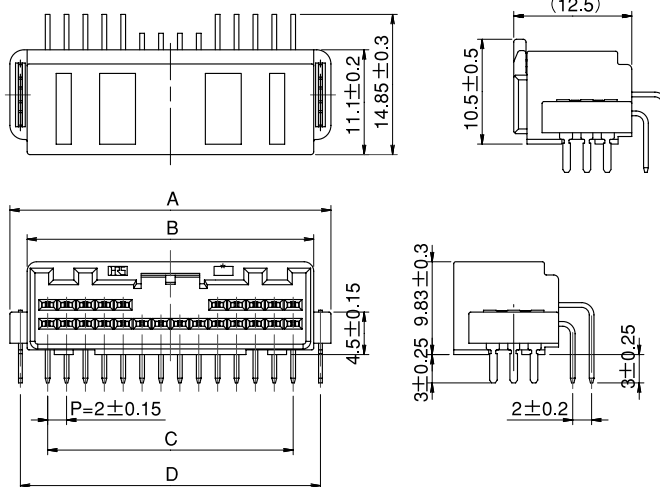
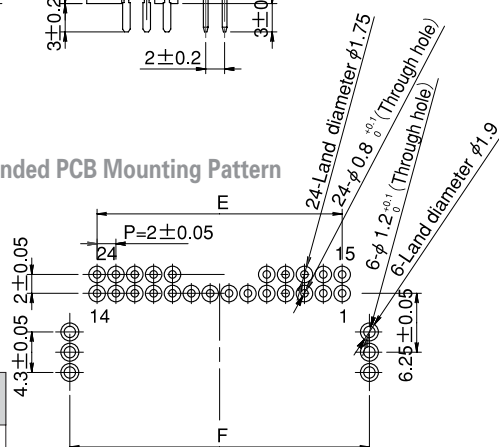
Note1 : Applicable housing is GT8E-*S-HU
 Note2 : GT8E-2P-DS mates with GT8E-2S-2C.

◆ Fully mated connector assemblies

● Boad type(Double row DIP type)



◆ Recommended PCB Mounting Pattern



| Part Number | CL No. | Number of potions | A dimension Tolerance±0.3 | B dimension Tolerance±0.3 | C dimension Tolerance±0.5 | D dimension Tolerance±0.2 | E dimension Tolerance±0.05 | F dimension Tolerance±0.05 | Packaging | RoHS |
|--------------|--------------|-------------------|------------------------------|------------------------------|------------------------------|------------------------------|-------------------------------|-------------------------------|-----------|------|
| GT8E-12DP-DS | CL758-0045-3 | 12 | 22.4 | 18.55 | 14 | 19.98 | 14 | 19.98 | 1 | YES |
| GT8E-16DP-DS | CL758-0060-7 | 16 | 27.25 | 23.6 | 18 | 25.03 | 18 | 25.03 | 1 | |
| GT8E-20DP-DS | CL758-0046-6 | 20 | 30 | 26.35 | 22 | 27.78 | 22 | 27.78 | 1 | |
| GT8E-24DP-DS | CL758-0053-1 | 24 | 34 | 30.35 | 26 | 31.78 | 26 | 31.78 | 1 | |

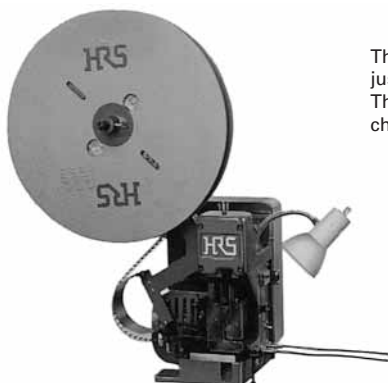
| Material | Finish |
|----------------------|-------------|
| PBT(Housing) | Color Black |
| Brass(Contact) | Tin plated |
| Brass(Metal fitting) | Tin plated |

Note : Applicable housing is GT8E-*DS-HU

◆ Termination Tools

User's manuals are available. Please contact a Hirose Electric account representative.

Automatic Crimping Machine



The photograph shows just one example. The product is subject to change.

Specifications

| Item | Specification | Remarks |
|-------------------|------------------------------|-----------------|
| Specification | 1.5ton | |
| Stroke length | 30mm | |
| Number of strokes | 200 spm (50 Hz) | 240 spm (60 Hz) |
| Wight | 75 kg | |
| Motor | 0.2kw | AC100V |
| Crimping speed | 2,000 to 4,000 pcs. per Hour | |

Part number CM-105

| Applicator Product Number |
|---------------------------|
| AP105-GT8-2428S |

● Hand Tool



| Product Number | HRS No. |
|-----------------|---------|
| HT102-GT8-2428S | — |

* Crimp height setting tables are available for each cable type. Please contact your nearest Hirose Electric account representative. Different cables will requires different crimp height settings.

GT 5

GT 13

GT 16

PO5G

GT 11

GT 14

GT 17

GT 19

GT 3

GT 6W

GT 7

GT 10

GT 18W

GT 15

GT 8

GT 9

GT 25

Connections of the Various Units and Device Interiors

X-ON Electronics

Largest Supplier of Electrical and Electronic Components

Click to view similar products for [Automotive Connectors](#) category:

Click to view products by [Hirose](#) manufacturer:

Other Similar products are found below :

[003-018-000](#) [60403001](#) [60993906-B](#) [M902-2131](#) [M902-2161](#) [72.330.1035.1](#) [73.353.4028.0](#) [F119300-B](#) [F166900](#) [F258300-B](#) [F358300-B](#)
[F407400](#) [F444110](#) [F487000](#) [F509500B-B](#) [827153-1](#) [8N1515-32-24P](#) [9-1326729-8](#) [925474-1](#) [928905-1](#) [964562-4](#) [968782-1](#) [GT17SA-8DS-](#)
[HU](#) [98891-1012](#) [98947-1016](#) [12004475-L](#) [12010290](#) [12010309-B](#) [12015454](#) [12020219-B](#) [12020308](#) [12041318-B](#) [12052225-L](#) [12052466](#)
[12059125](#) [12064869](#) [12004327-B](#) [12010503-B](#) [12015308](#) [12015384](#) [12015909](#) [1-21030-1](#) [12041254](#) [12041318](#) [12047946-B](#) [12047957](#)
[12047957-L](#) [12059473](#) [12066261](#) [12110546](#)