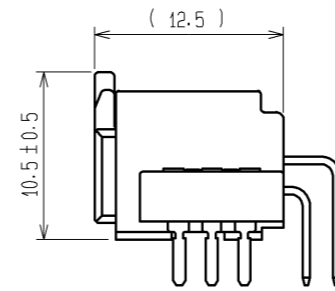
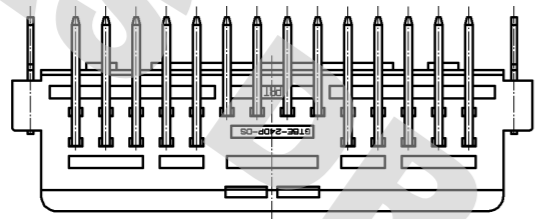
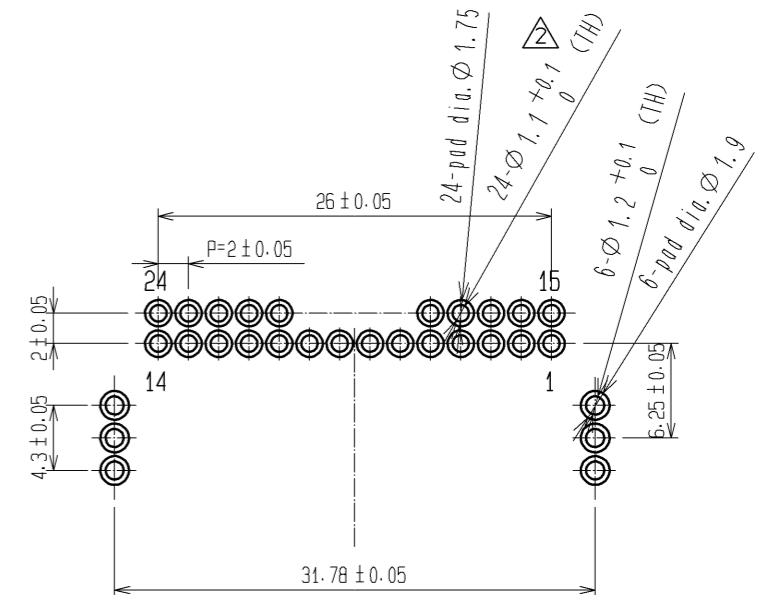


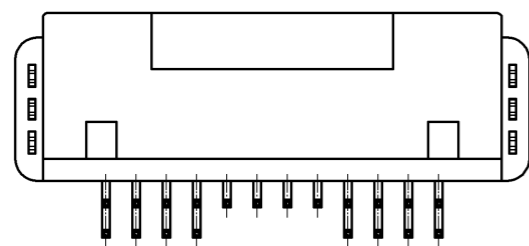
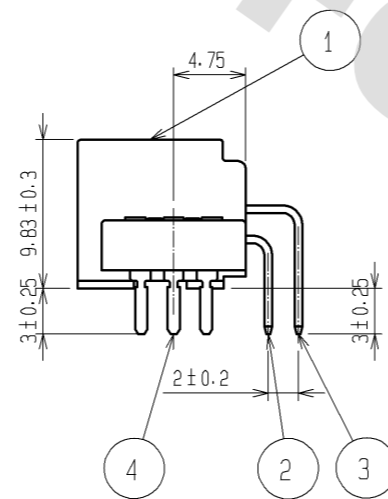
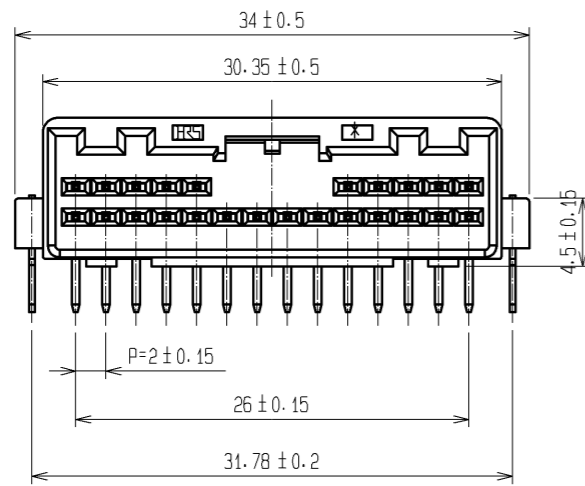
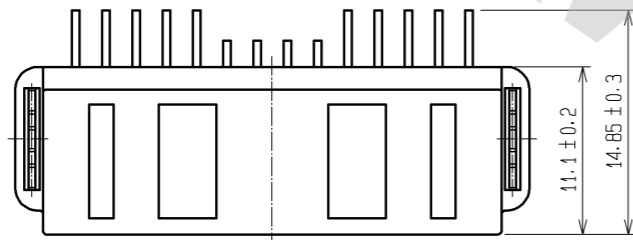
ELV. RoHS COMPLIANT



MATED CONNECTORS



RECOMMENDED PC BOARD PATTERN
(CONNECTOR SIDE)
AND PIN No.

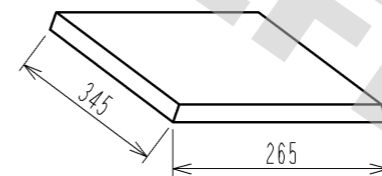
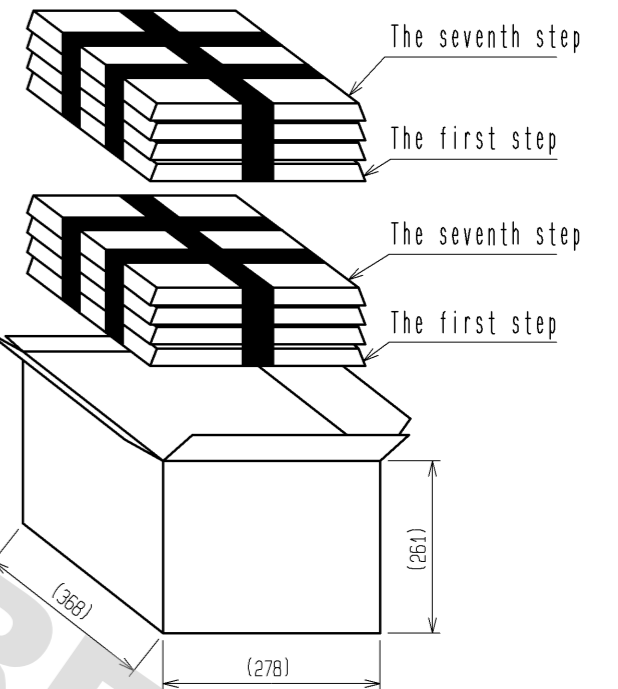


⚠ Drawing for packing.

Note1. Six trays(A,B) to be piled in turn.
Top(the seventh step) is an empty tray.
(One tray includes 72 pcs of products.
One bundle: 72×6=432 pcs.)

Note2. One K-1 box includes 864 pcs.(432×2=864)

Note3. The size of the tray see below.



| | | | | | |
|---------------------------|----------|-----------------------|------------|--|------------------------|
| 2 | BRASS | TIN PLATING | 4 | BRASS | TIN PLATING |
| 1 | PBT | BLACK | 3 | BRASS | TIN PLATING |
| NO. | MATERIAL | FINISH . REMARKS | NO. | MATERIAL | FINISH . REMARKS |
| UNITS mm | | SCALE 2 : 1 | COUNT 1 | DESCRIPTION OF REVISIONS DIS-T-002171 | DESIGNED Chinaik.Ng |
| | | APPROVED : AR. SHIRAI | 08. 04. 14 | DRAWING NO. | EDC3-166708-00 |
| HIROSE ELECTRIC CO., LTD. | | CHECED : AR. SHIRAI | 08. 04. 14 | PART NO. | GT8E-24DP-DS |
| | | DESIGNED : YN. KADOTA | 08. 04. 14 | CODE NO. | CL758-0053-1-00 |
| | | DRAWN : YN. KADOTA | 08. 04. 14 | | |
| | | | | | DATE 11. 03. 25 |
| | | | | | CHECKED AR. SHIRAI |

DRAWING FOR REFERENCE: This is subject to change without notice
08/11/2012

X-ON Electronics

Largest Supplier of Electrical and Electronic Components

Click to view similar products for [Automotive Connectors](#) category:

Click to view products by [Hirose](#) manufacturer:

Other Similar products are found below :

[003-018-000](#) [60403001](#) [60993906-B](#) [M902-2131](#) [M902-2161](#) [72.330.1035.1](#) [73.353.4028.0](#) [F119300-B](#) [F166900](#) [F258300-B](#) [F358300-B](#)
[F407400](#) [F444110](#) [F487000](#) [F509500B-B](#) [827153-1](#) [8N1515-32-24P](#) [9-1326729-8](#) [925474-1](#) [928905-1](#) [964562-4](#) [968782-1](#) [GT17SA-8DS-](#)
[HU](#) [98891-1012](#) [98947-1016](#) [12004147](#) [12004475-L](#) [12010290](#) [12010309-B](#) [12015454](#) [12020219-B](#) [12020308](#) [12041318-B](#) [12052225-L](#)
[12052466](#) [12059125](#) [12064869](#) [12004327-B](#) [12010503-B](#) [12015308](#) [12015384](#) [12015909](#) [1-21030-1](#) [12041254](#) [12041318](#) [12047946-B](#)
[12047957](#) [12047957-L](#) [12059473](#) [12066261](#)