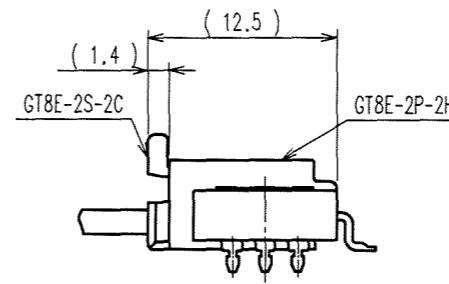
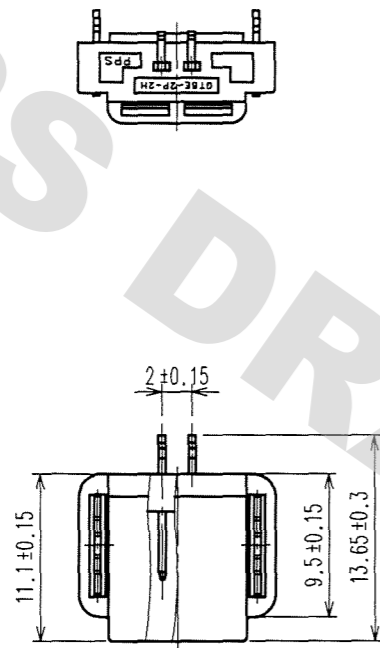
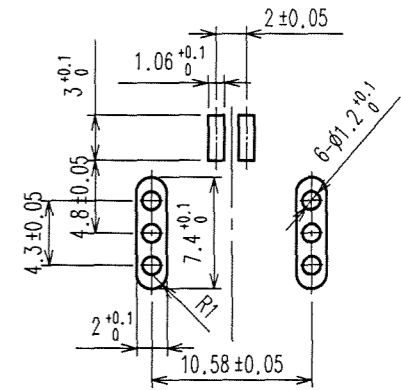


ELV. RoHS COMPLIANT

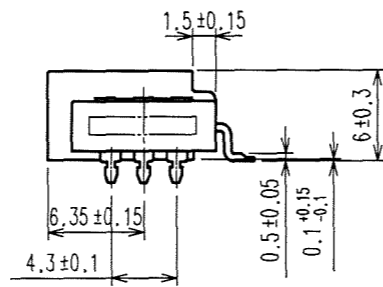
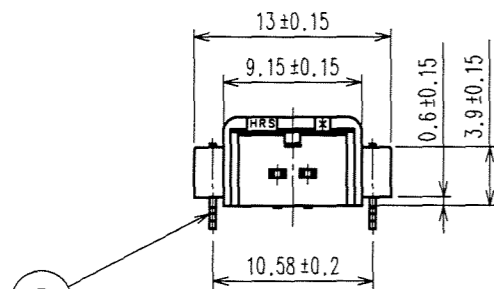
COUNT	DESCRIPTION OF REVISIONS	BY	CHKD	DATE	COUNT	DESCRIPTION OF REVISIONS	BY	CHKD	DATE
△				..	△				..
△				..	△				..
△				..	△				..



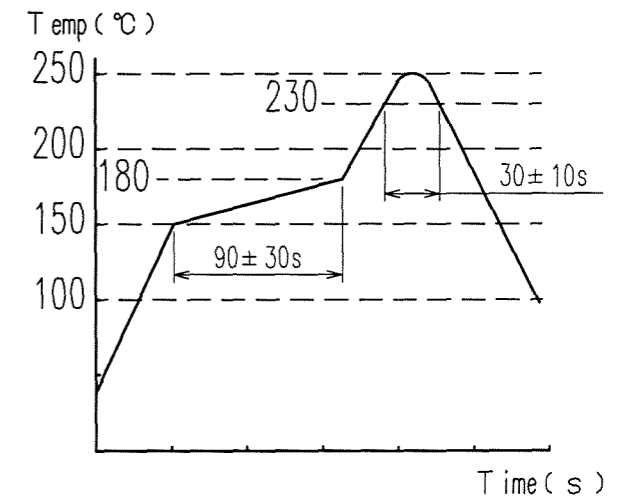
MATED CONNECTORS



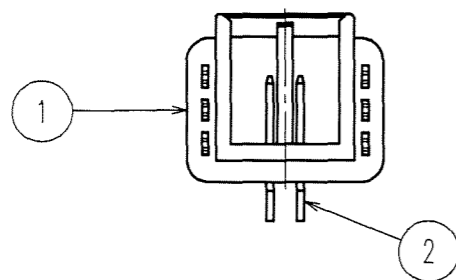
RECOMMENDED PC BOARD PATTERN



NOTE 1 . RECOMMENDED TEMPERATURE PROFILE FOR REFLOW
(REFER TO RIGHT FIG.)
USED REFLOW SYSTEM
: IR IN THE AIR OR NITROGEN
NO. OF CYCLES : 2 MAX
PEAK : 250°C
OVER 230°C : 20~40s
PREHEAT : 150~180°C
60~120s



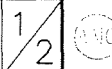
2 . CO-PLANARITY SHALL BE 0.1 MAX.
3 . MATING HALF: GT8E-2S-2C (CL758-0030-6)



2	BRASS	TIN PLATING	3	BRASS	TIN PLATING
1	PPS	BLACK			
NO.	MATERIAL	FINISH, REMARKS	NO.	MATERIAL	FINISH, REMARKS

CODE NO. (OLD) CL	DRAWN Y.KADOTA 06.2.20	DESIGNED Y.KADOTA 05.12.8	CHECKED A. Shirai 06.2.21	APPROVED K. Ito 06.2.22	RELEASED ..
----------------------	------------------------------	---------------------------------	---------------------------------	-------------------------------	----------------

SCALE 2 : 1	DRAWING NO. EDC3-166400-01	PART NO. GT8E-2P-2H(70)
UNITS mm	HRS HIROSE ELECTRIC CO., LTD	CODE NO. CL758-0032-1-70



DRAWING FOR REFERENCE: This is subject to change without notice
08/11/2012

TO
AMC

1

2

3

4

5

6

7

8

ELV, RoHS COMPLIANT

COUNT	DESCRIPTION OF REVISIONS	BY	CHKD	DATE	COUNT	DESCRIPTION OF REVISIONS	BY	CHKD	DATE
△				..	△				..
△				..	△				..
△				..	△				..

A

B

C

D

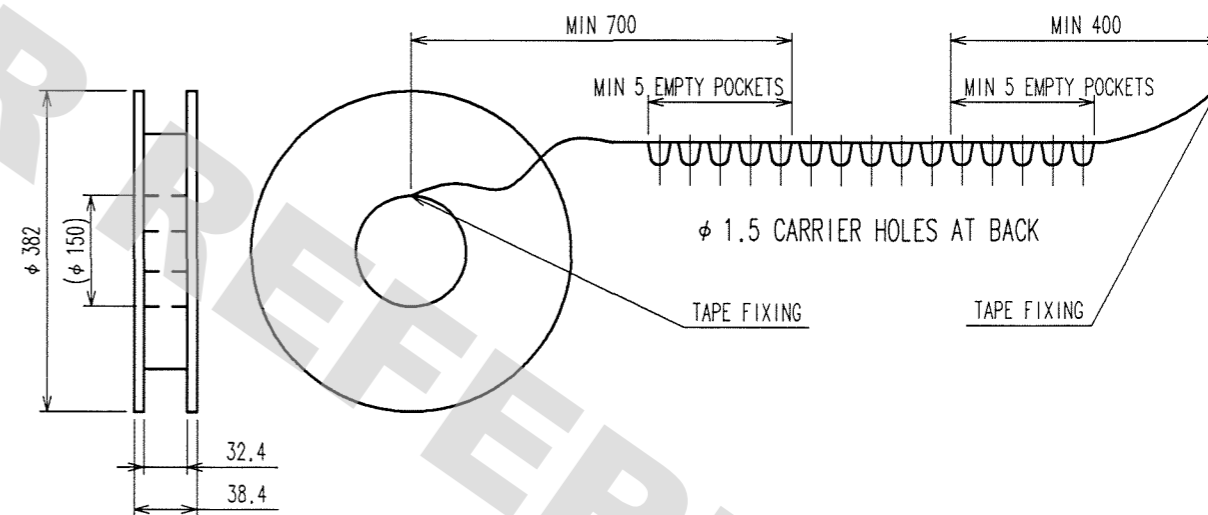
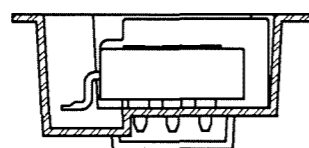
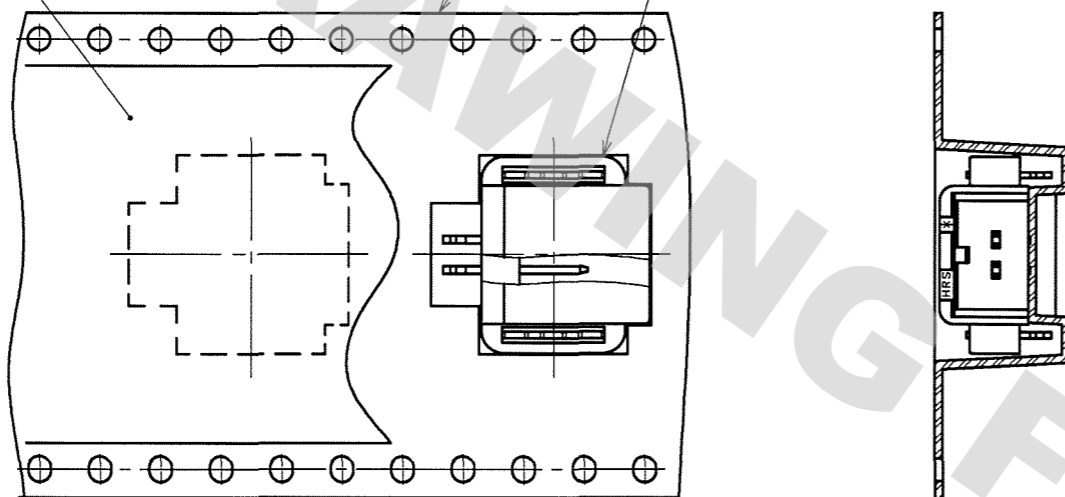
E

F

TOP COVER TAPE

EMBOSSED CARRIER TAPE

GT8E-2P-2H(70)



NOTE1. PACKING TYPE:TAPE AND REEL.500 PCS PER REEL.

CODE NO. (OLD)	DRAWN	DESIGNED	CHECKED	APPROVED	RELEASED
DRAWING FOR PACKING	Y.KADOTA	Y.KADOTA	A. Shirai	K. Aoto	..
	06.2.20	05.12.8	06.2.21	06.2.22	..
SCALE	DRAWING NO.	PART NO.			
2 : 1	EDC3-166400-01	GT8E-2P-2H(70)			
UNITS	HRS HIROSE ELECTRIC CO., LTD		CODE NO.		
mm			CL758-0032-1-70	2/2	

DRAWING FOR REFERENCE: This is subject to change without notice
08/11/2012

TO
AMC

X-ON Electronics

Largest Supplier of Electrical and Electronic Components

Click to view similar products for [Automotive Connectors](#) category:

Click to view products by [Hirose](#) manufacturer:

Other Similar products are found below :

[003-018-000](#) [60403001](#) [60993906-B](#) [M902-2131](#) [M902-2161](#) [72.330.1035.1](#) [73.353.4028.0](#) [F119300-B](#) [F166900](#) [F258300-B](#) [F358300-B](#)
[F407400](#) [F444110](#) [F487000](#) [F509500B-B](#) [827153-1](#) [8N1515-32-24P](#) [9-1326729-8](#) [925474-1](#) [928905-1](#) [964562-4](#) [968782-1](#) [GT17SA-8DS-](#)
[HU](#) [98891-1012](#) [98947-1016](#) [12004475-L](#) [12010290](#) [12010309-B](#) [12015454](#) [12020219-B](#) [12020308](#) [12041318-B](#) [12052225-L](#) [12052466](#)
[12059125](#) [12064869](#) [12004327-B](#) [12010503-B](#) [12015308](#) [12015384](#) [12015909](#) [1-21030-1](#) [12041254](#) [12041318](#) [12047946-B](#) [12047957](#)
[12047957-L](#) [12059473](#) [12066261](#) [12110546](#)