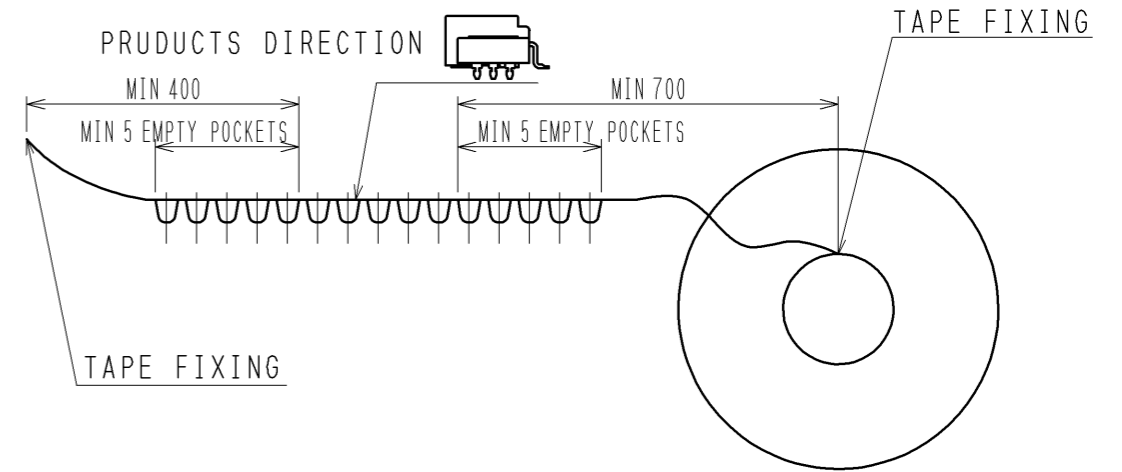
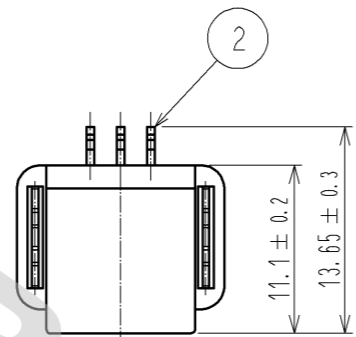
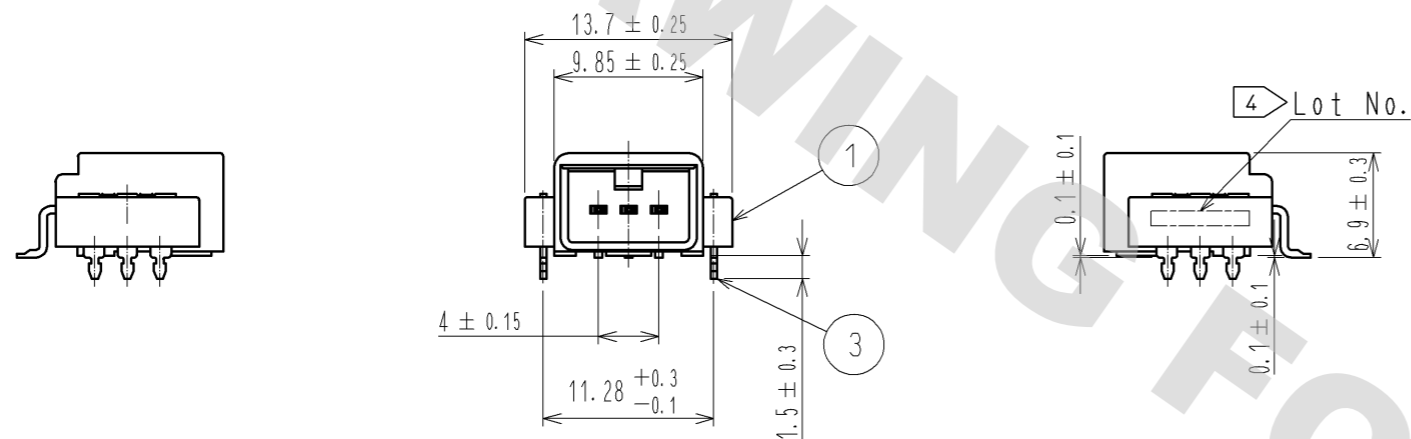


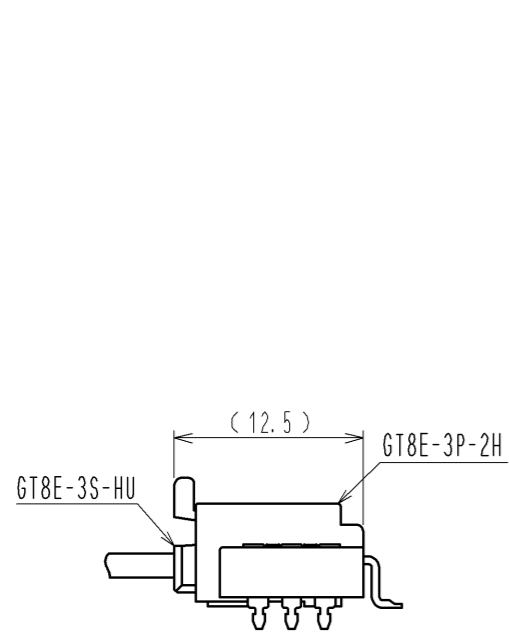
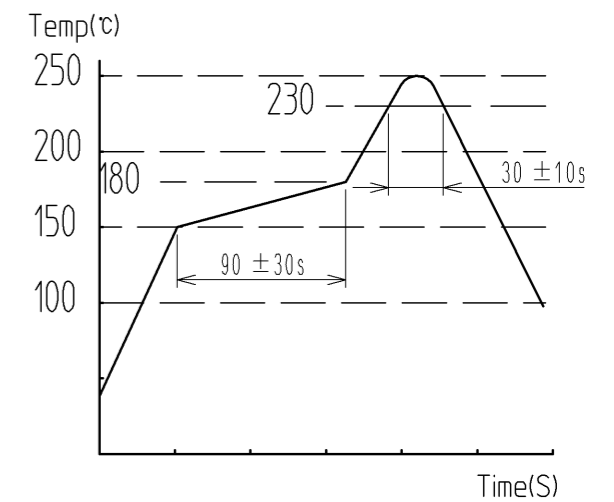
ELV, RoHS COMPLIANT



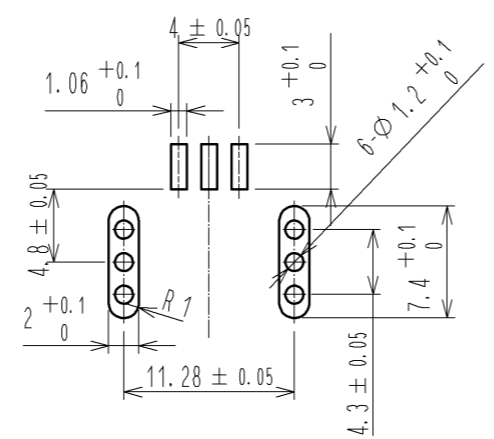
EMBOSS SPECULATION



- NOTE 1. RECOMMENDED TEMPERATURE PROFILE FOR REFLOW (REFER TO RIGHT FIG.)
 USED REFLOW SYSTEM : IR IN THE AIR OR NITROGEN
 NO. OF CYCLES : 2 MAX
 PEAK : 250°C
 OVER 230°C : 20~40s
 PREHEAT : 150~180°C
 60~120s
 2. TEMPERATURE FOR SOLDERING IRON : 280~300°C WITHIN 2s
 3. CO-PLANARITY SHALL BE 0.1 MAX.
 4. MARKING OF Lot No. : (EX)2009. 6TH. SEPTEMBER → 09106...5DIGITS
 5. PC BOARD THICKNESS=1.6.
 6. RECOMMENDED SOLDER THICKNESS=0.15
 7. 1 REEL IS 400 CONECTORS.



MATING CONFIGURATION



RECOMMENDED PC BOARD PATTERN

2	BRASS	TIN PLATING				
1	PPS	BLACK	3	BRASS	TIN PLATING	
NO.	MATERIAL	FINISH . REMARKS	NO.	MATERIAL	FINISH . REMARKS	
UNITS mm		SCALE 2 : 1		COUNT △	DESCRIPTION OF REVISIONS	DESIGNED CHECKED DATE
HRS HIROSE ELECTRIC CO., LTD.		APPROVED : AR. SHIRAI 11. 12. 16	DRAWING NO. EDC3-167736-01			
		CHECED : NA. HARUBAYASHI 11. 12. 16	PART NO. GT8E-3P-2H			
		DESIGNED : KT. MATSUDA 11. 12. 14	CODE NO. CL758-0096-4-00			
		DRAWN : KT. MATSUDA 11. 12. 14				

DRAWING FOR REFERENCE: This is subject to change without notice
08/11/2012

X-ON Electronics

Largest Supplier of Electrical and Electronic Components

Click to view similar products for [Automotive Connectors](#) category:

Click to view products by [Hirose](#) manufacturer:

Other Similar products are found below :

[003-018-000](#) [60403001](#) [60993906-B](#) [M902-2131](#) [M902-2161](#) [72.330.1035.1](#) [73.353.4028.0](#) [F119300-B](#) [F166900](#) [F258300-B](#) [F358300-B](#)
[F407400](#) [F444110](#) [F487000](#) [F509500B-B](#) [827153-1](#) [8N1515-32-24P](#) [9-1326729-8](#) [925474-1](#) [928905-1](#) [964562-4](#) [968782-1](#) [GT17SA-8DS-](#)
[HU](#) [98891-1012](#) [98947-1016](#) [12004475-L](#) [12010290](#) [12010309-B](#) [12015454](#) [12020219-B](#) [12020308](#) [12041318-B](#) [12052225-L](#) [12052466](#)
[12059125](#) [12064869](#) [12004327-B](#) [12010503-B](#) [12015308](#) [12015384](#) [12015909](#) [1-21030-1](#) [12041254](#) [12041318](#) [12047946-B](#) [12047957](#)
[12047957-L](#) [12059473](#) [12066261](#) [12110546](#)