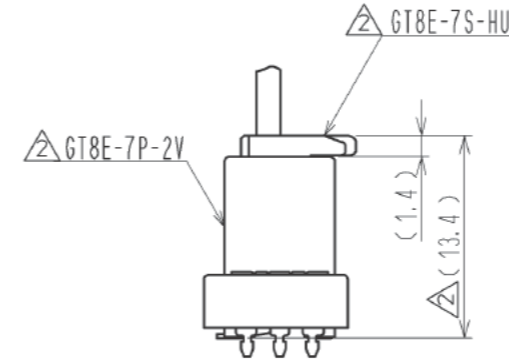
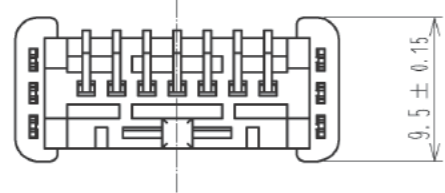
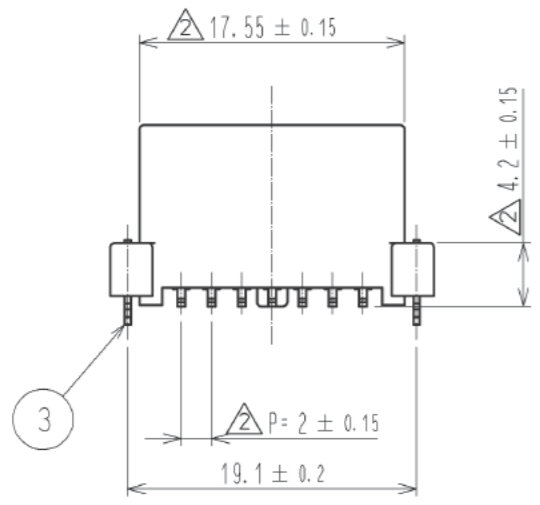
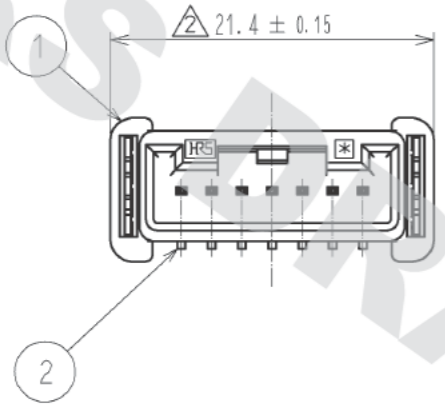
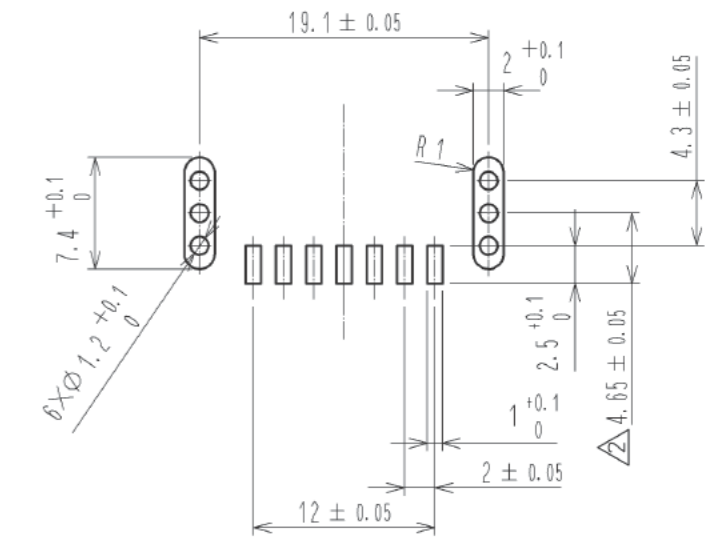


ELV. RoHS COMPLIANT



MATED CONNECOTORS



RECOMMENDED PC BOARD PATTERN (CONNECTOR SIDE)

NOTE 1. RECOMMENDED TEMPERATURE PROFILE FOR REFLOW (REFER RIGHT FIG.).

REFLOW HEATING: FAR-INFLARED, IN THE AIR OR NITROGEN

REFLOW No.: MAX 2 TIMES

PEAK TEMPERATURE: 250°C

ABOVE 230°C: 20~40s

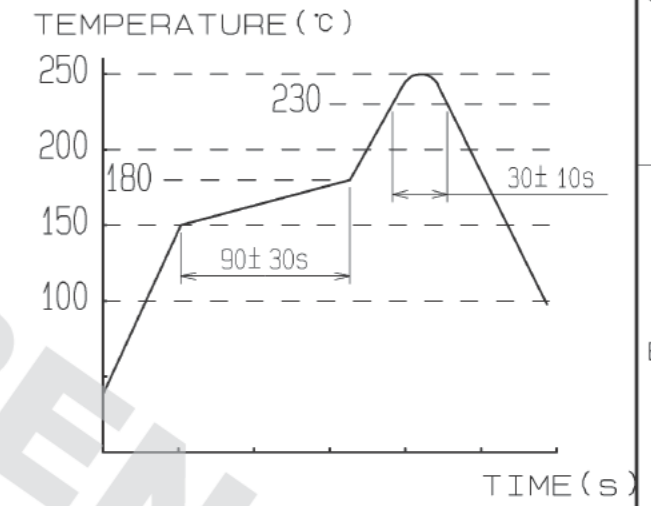
PREHEAT: 150~180°C (60~120s)

2. SOLDERING TEMPERATURE: 280~300°C (MAX 2s)

3. COPLANARITY OF LEADS SHALL BE UNDER 0.1mm.

4. RECOMMENDED THICKNESS FOR PC BOARD IS 1.6mm.

5. RECOMMENDED THICKNESS FOR SOLDER PASTE IS 0.15mm.



2	BRASS	TIN PLATING						
1	PPS	BLACK				3	BRASS	TIN PLATING
NO.	MATERIAL	FINISH .	REMARKS	NO.	MATERIAL	FINISH .	REMARKS	
UNITS	mm	SCALE	2 : 1	COUNT	10	DESCRIPTION OF REVISIONS	DESIGNED	CHECKED
						DIS-T-002669	TY. TAKAHASHI	AR. SHIRAI
							DATE	12. 03. 30
APPROVED : AR. SHIRAI		12. 02. 01		DRAWING NO.		EDC3-169191-00		
CHECKED : AR. SHIRAI		12. 02. 01		PART NO.		GT8E-7P-2V		
DESIGNED : NA. HARUBAYASHI		12. 02. 01		CODE NO.		CL758-0227-0-00		
DRAWN : NA. HARUBAYASHI		12. 02. 01						

DRAWING FOR REFERENCE: This is subject to change without notice 05/31/2013

X-ON Electronics

Largest Supplier of Electrical and Electronic Components

Click to view similar products for [Automotive Connectors](#) category:

Click to view products by [Hirose](#) manufacturer:

Other Similar products are found below :

[003-018-000](#) [60403001](#) [60993906-B](#) [M902-2131](#) [M902-2161](#) [72.330.1035.1](#) [73.353.4028.0](#) [F119300-B](#) [F166900](#) [F258300-B](#) [F358300-B](#)
[F407400](#) [F444110](#) [F487000](#) [F509500B-B](#) [827153-1](#) [8N1515-32-24P](#) [9-1326729-8](#) [925474-1](#) [928905-1](#) [964562-4](#) [968782-1](#) [GT17SA-8DS-](#)
[HU](#) [98891-1012](#) [98947-1016](#) [12004475-L](#) [12010290](#) [12010309-B](#) [12015454](#) [12020219-B](#) [12020308](#) [12041318-B](#) [12052225-L](#) [12052466](#)
[12059125](#) [12064869](#) [12004327-B](#) [12010503-B](#) [12015308](#) [12015384](#) [12015909](#) [1-21030-1](#) [12041254](#) [12041318](#) [12047946-B](#) [12047957](#)
[12047957-L](#) [12059473](#) [12066261](#) [12110546](#)