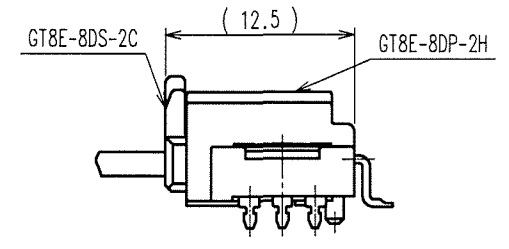
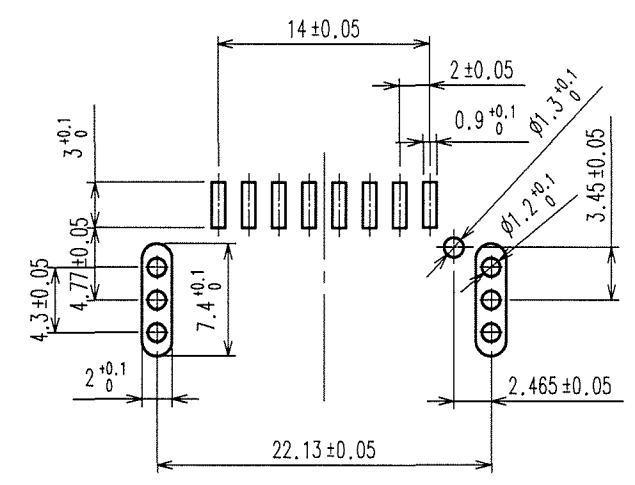
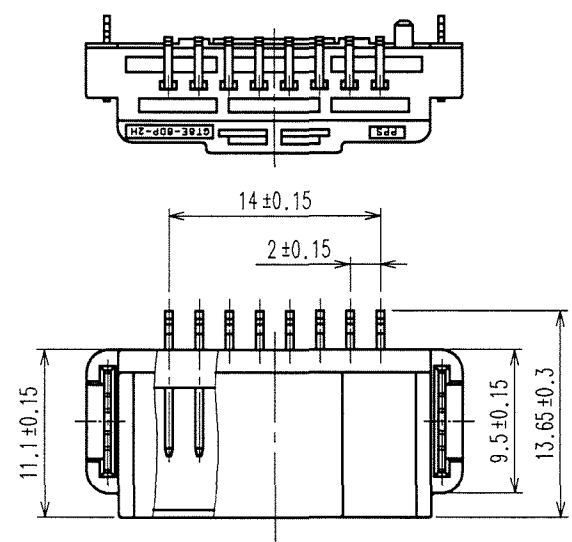


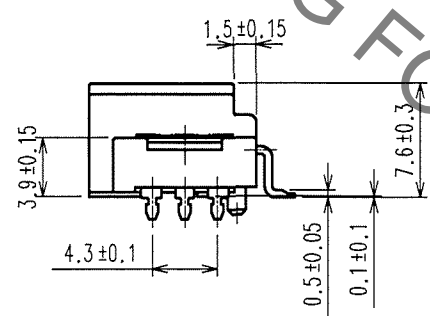
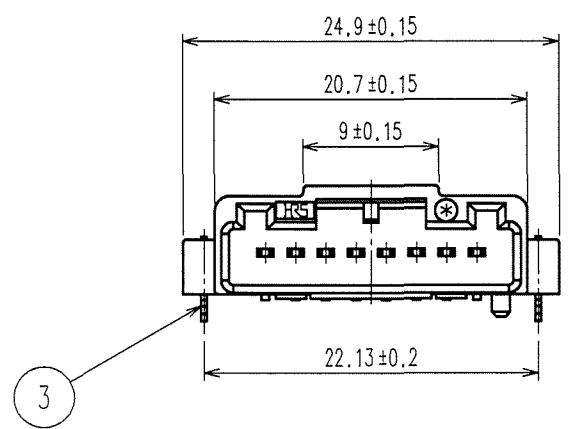
ELV, RoHS COMPLIANT

COUNT	DESCRIPTION OF REVISIONS	BY	CHKD	DATE	COUNT	DESCRIPTION OF REVISIONS	BY	CHKD	DATE
△				..	△				..
△				..	△				..
△				..	△				..

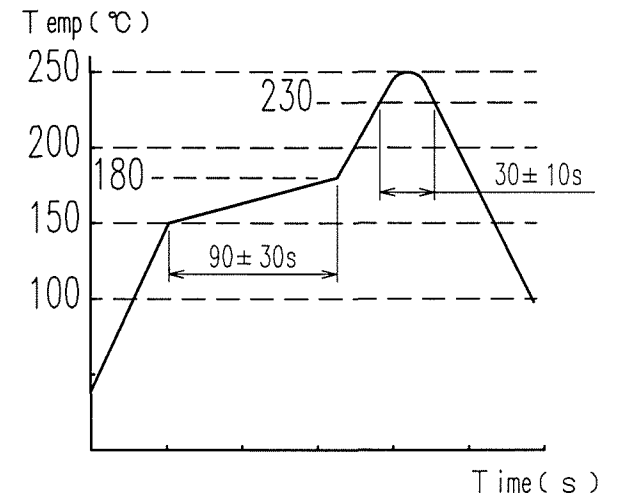


MATED CONNECTORS

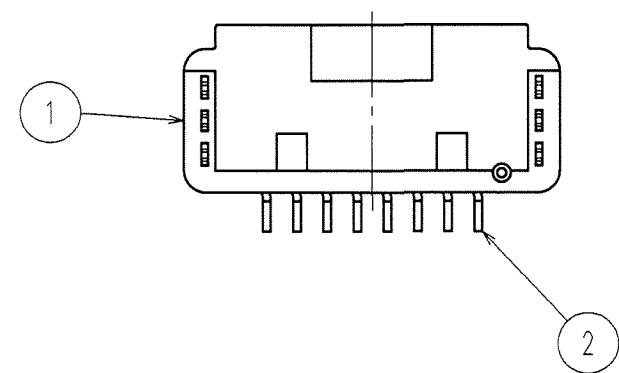
RECOMMENDED PC BOARD PATTERN



NOTE 1 . RECOMMENDED TEMPERATURE PROFILE FOR REFLOW (REFER TO RIGHT FIG.)
 USED REFLOW SYSTEM : IR IN THE AIR OR NITROGEN
 NO. OF CYCLES : 2 MAX
 PEAK : 250°C
 OVER 230°C : 20~40s
 PREHEAT : 150~180°C
 60~120s



- 2. CO-PLANARITY SHALL BE 0.1 MAX.
- 3. MATING HALF : GT8E-8DS-2C (CL758-0027-1)



2	BRASS	TIN PLATING	3	BRASS	TIN PLATING
1	PPS	BLACK			
NO.	MATERIAL	FINISH, REMARKS	NO.	MATERIAL	FINISH, REMARKS
CODE NO. (OLD) CL?			DRAWN	DESIGNED	CHECKED
			Y.KADOTA	Y.KADOTA	A. Shirai
			06.2.20	04.7.28	06.2.21
					06.2.22
					..
DRAWING NO. EDC3-166342-01			PART NO. GT8E-8DP-2H(70)		
SCALE 2 : 1			CODE NO. CL758-0028-4-70		
UNITS mm			1/2		

Jun.1.2019 Copyright 2019 HIROSE ELECTRIC CO., LTD. All Rights Reserved.
 In case of consideration for using Automotive equipment / device which demand high reliability, kindly contact our sales window correspondents.

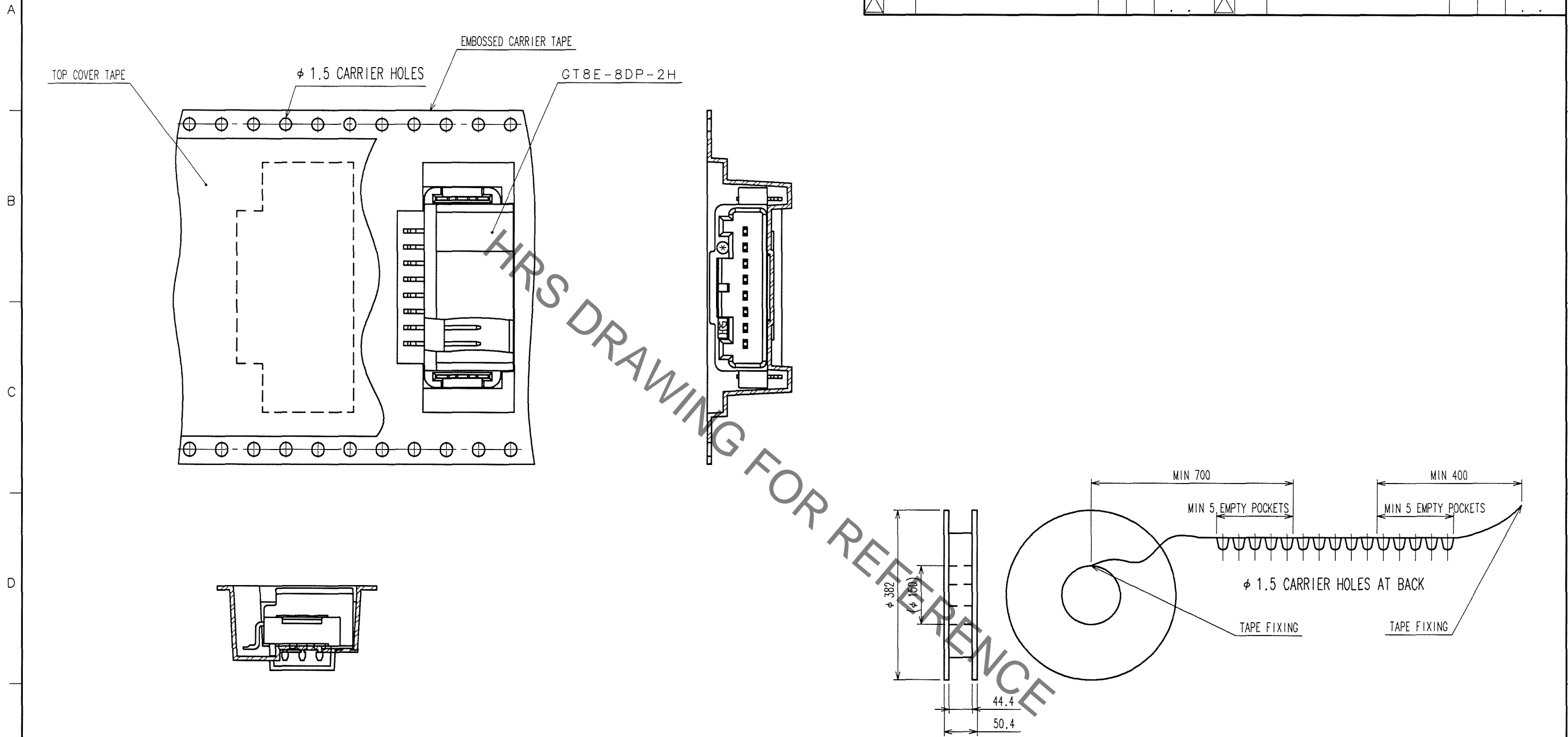
TO
AMC



Jun.1.2019 Copyright 2019 HIROSE ELECTRIC CO., LTD. All Rights Reserved.
 In case of consideration for using Automotive equipment / device which demand high reliability, kindly contact our sales window correspondents.

ELV. RoHS COMPLIANT

COUNT	DESCRIPTION OF REVISIONS	BY	CHKD	DATE	COUNT	DESCRIPTION OF REVISIONS	BY	CHKD	DATE
△				..	△				..
△				..	△				..
△				..	△				..



NOTE1. PACKING TYPE:TAPE AND REEL.400 PCS PER REEL.

TO
AMC

CODE NO. (OLD)	DRAWN	DESIGNED	CHECKED	APPROVED	RELEASED
DRAWING FOR PACKING	Y.KADOTA 06.2.20	Y.KADOTA 04.7.28	A. Shirai '06.2.21	K. Sato '06.2.22	..
SCALE 2 : 1	DRAWING NO. EDC3-166342-01		PART NO. GT8E-8DP-2H(70)		
UNITS mm	HRS HIROSE ELECTRIC CO., LTD		CODE NO. CL758-0028-4-70		2/2

X-ON Electronics

Largest Supplier of Electrical and Electronic Components

Click to view similar products for [Automotive Connectors](#) category:

Click to view products by [Hirose](#) manufacturer:

Other Similar products are found below :

[003-018-000](#) [60403001](#) [60993906-B](#) [M902-2131](#) [M902-2161](#) [72.330.1035.1](#) [73.353.4028.0](#) [F119300-B](#) [F166900](#) [F258300-B](#) [F358300-B](#)
[F407400](#) [F444110](#) [F487000](#) [F509500B-B](#) [827153-1](#) [8N1515-32-24P](#) [9-1326729-8](#) [925474-1](#) [928905-1](#) [964562-4](#) [968782-1](#) [GT17SA-8DS-](#)
[HU](#) [98891-1012](#) [98947-1016](#) [12004475-L](#) [12010290](#) [12010309-B](#) [12015454](#) [12020219-B](#) [12020308](#) [12041318-B](#) [12052225-L](#) [12052466](#)
[12059125](#) [12064869](#) [12004327-B](#) [12010503-B](#) [12015308](#) [12015384](#) [12015909](#) [1-21030-1](#) [12041254](#) [12041318](#) [12047946-B](#) [12047957](#)
[12047957-L](#) [12059473](#) [12066261](#) [12110546](#)