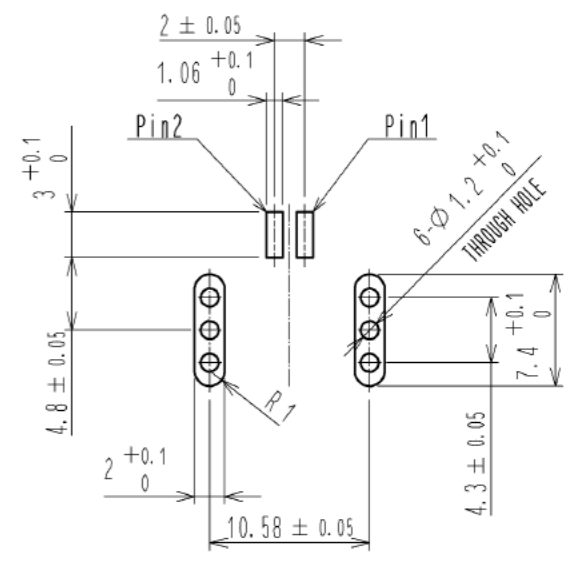
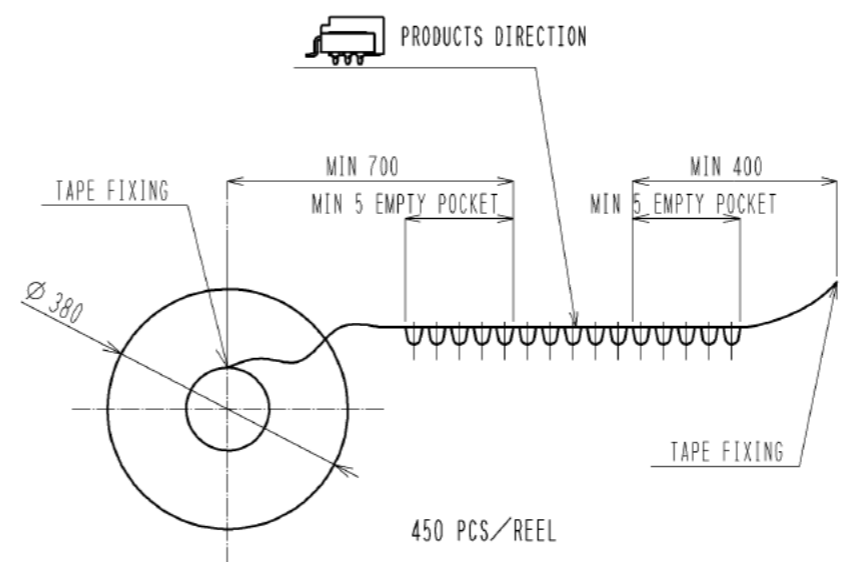
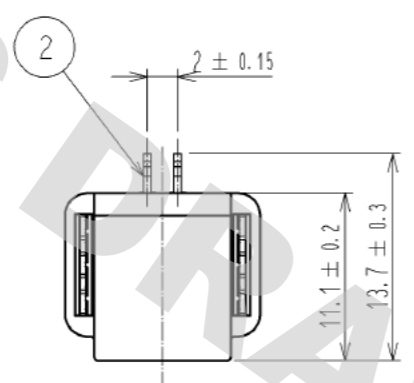
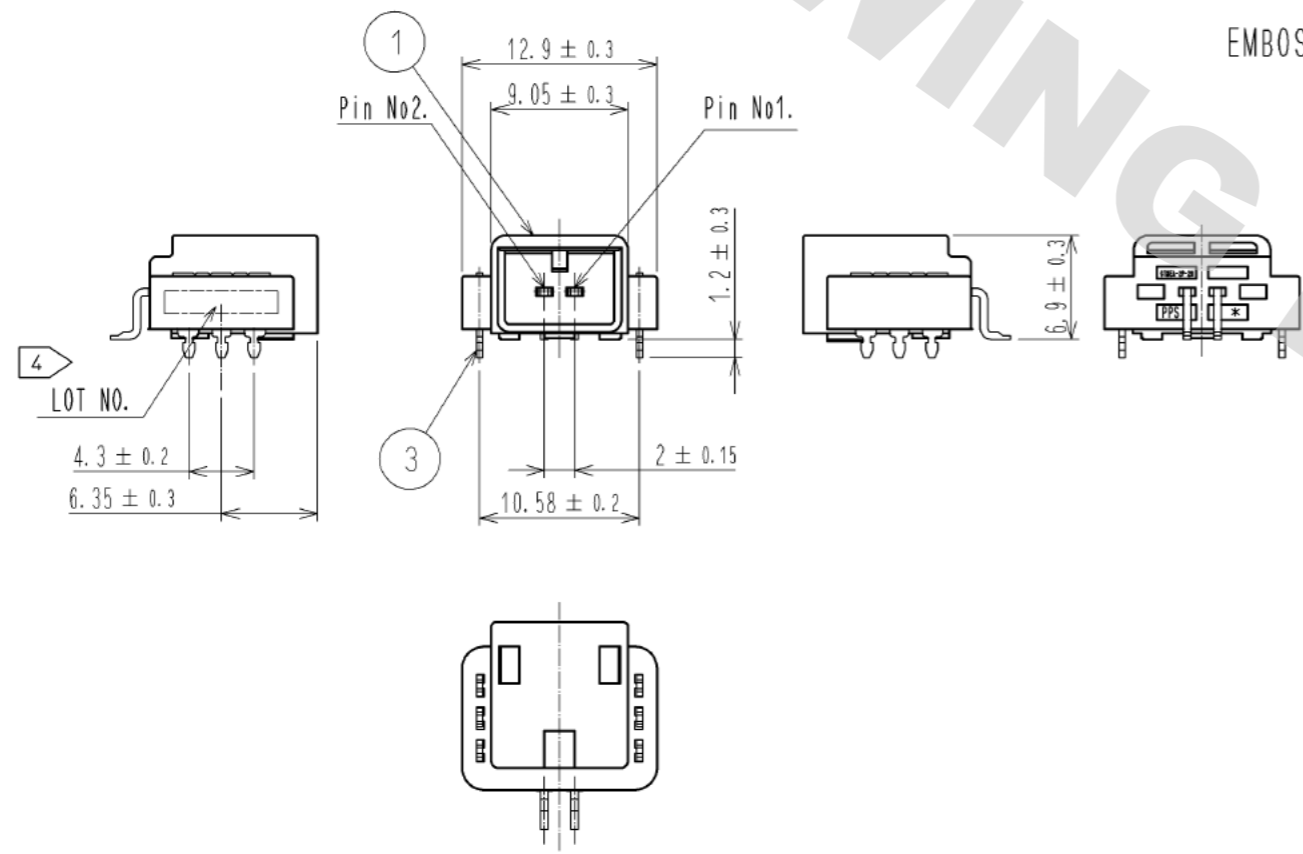


ELV, RoHS COMPLIANT

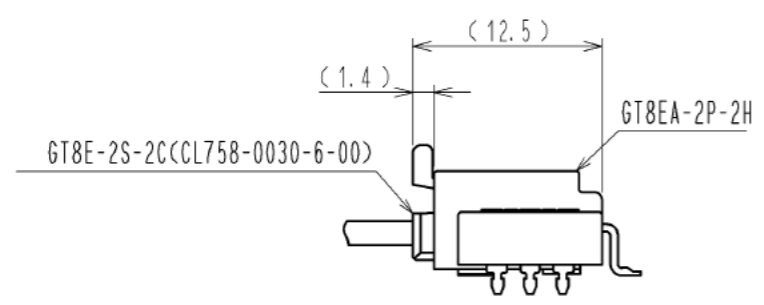
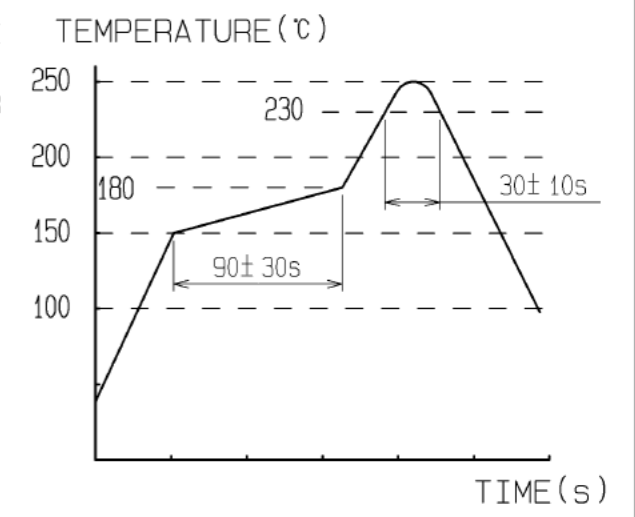


EMBOSS PACKING SPECIFICATIONS(FREE)

RECOMMENDED PCB PATTERN



- NOTE 1. RECOMMENDED REFLOW TEMPERATURE PROFILE (REFER RIGHT FIG.).
 REFLOW HEATING: FAR-INFLARED, IN THE AIR OR NITROGEN
 NUMBER OF REFLOW CYCLES: 2 CYCLES MAX
 PEAK TEMPERATURE: 250°C
 ABOVE 230°C: 20~40s
 PREHEAT: 150~180°C (60~120s)
 2. SOLDERING TEMPERATURE: 280~300°C (MAX 2s)
 3. CO-PLANARITY OF LEADS SHALL BE 0.1mm MAX.
 4. MARKING OF LOT NO. (EX) 2012.7TH. NOVEMBER → 2012.K.07
 5. RECOMMENDED THICKNESS FOR PC BOARD IS 1.6mm.
 6. RECOMMENDED THICKNESS FOR SOLDER PASTE IS 0.15mm.



MATED CONNECTORS

2	BRASS	TIN PLATING	3	BRASS	TIN PLATING
1	PPS	BLACK			
NO.	MATERIAL	FINISH . REMARKS	NO.	MATERIAL	FINISH . REMARKS
UNITS	mm	SCALE	2 : 1	COUNT	△
DESCRIPTION OF REVISIONS		DESIGNED	CHECKED	DATE	
APPROVED : AR. SHIRAI		12.12.04	DRAWING NO. EDC3-169419-00		
CHECKED : NH. NAKATA		12.12.04	PART NO. GT8EA-2P-2H		
DESIGNED : RZ. KANO		12.12.04	CODE NO. CL758-0113-1-00		
DRAWN : RZ. KANO		12.12.04	△ 1/1		

DRAWING FOR REFERENCE: This is subject to change without notice
05/31/2013

X-ON Electronics

Largest Supplier of Electrical and Electronic Components

Click to view similar products for [Automotive Connectors](#) category:

Click to view products by [Hirose](#) manufacturer:

Other Similar products are found below :

[003-018-000](#) [60403001](#) [60993906-B](#) [M902-2131](#) [M902-2161](#) [72.330.1035.1](#) [73.353.4028.0](#) [F119300-B](#) [F166900](#) [F258300-B](#) [F358300-B](#)
[F407400](#) [F444110](#) [F487000](#) [F509500B-B](#) [827153-1](#) [8N1515-32-24P](#) [9-1326729-8](#) [925474-1](#) [928905-1](#) [964562-4](#) [968782-1](#) [GT17SA-8DS-](#)
[HU](#) [98891-1012](#) [98947-1016](#) [12004475-L](#) [12010290](#) [12010309-B](#) [12015454](#) [12020219-B](#) [12020308](#) [12041318-B](#) [12052225-L](#) [12052466](#)
[12059125](#) [12064869](#) [12004327-B](#) [12010503-B](#) [12015308](#) [12015384](#) [12015909](#) [1-21030-1](#) [12041254](#) [12041318](#) [12047946-B](#) [12047957](#)
[12047957-L](#) [12059473](#) [12066261](#) [12110546](#)