

ELV. RoHS COMPLIANT

RECOMMENDED PCB BOARD

MATED CONNCTORS

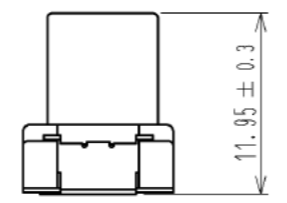
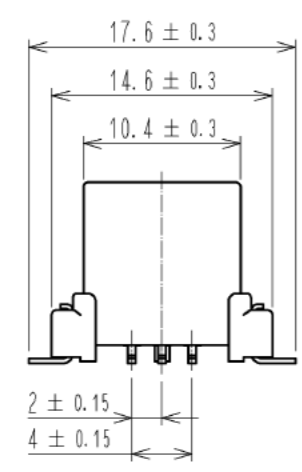
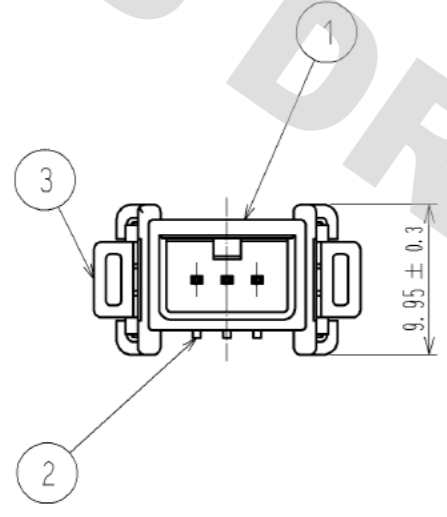
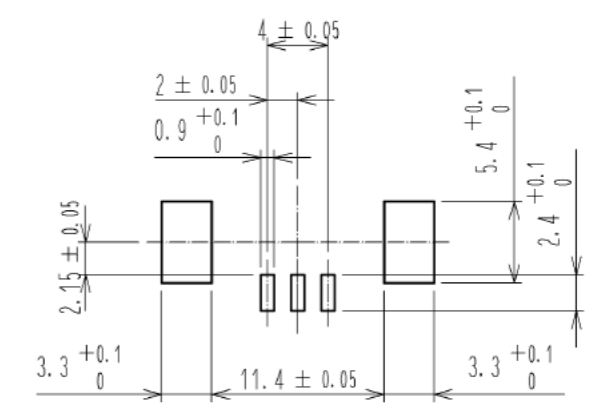
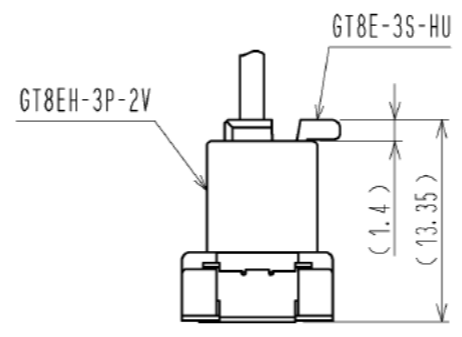
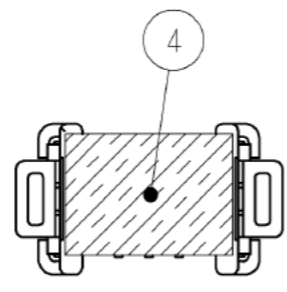


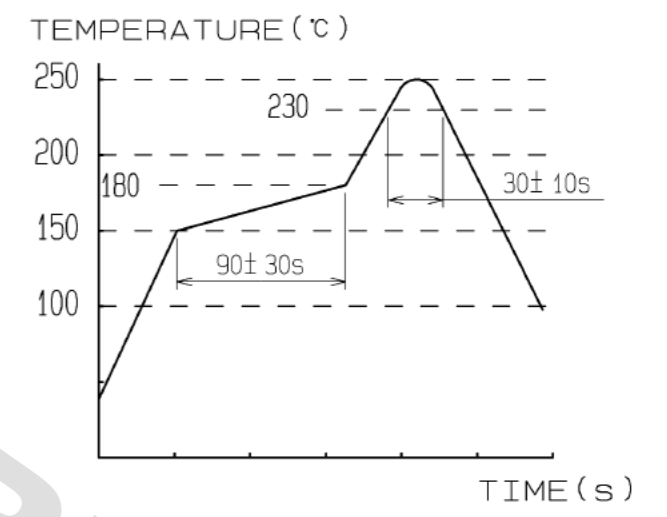
Fig. ADDED A PICK & PLACE TAPE



NOTE1. RECOMMENDED TEMPERATURE PROFILE FOR REFLOW (REFER RIGHT FIG.).

REFLOW HEATING: FAR-INFLARED, IN THE AIR OR NITROGEN

- REFLOW No. : MAX 2 TIMES
- PEAK TEMPERATURE : 250°C
- ABOVE 230°C : 20~40s
- PREHEAT : 150~180°C (60~120s)
- 2. SOLDERING TEMPERATURE : 280~300°C (MAX 2s)
- 3. COPLANARITY OF LEADS SHALL BE UNDER 0.1mm.
- 4. RECOMMENDED THICKNESS FOR PCB BOARD IS 1.6mm.
- 5. RECOMMENDED THICKNESS FOR SOLDER PASTE IS 0.15mm.



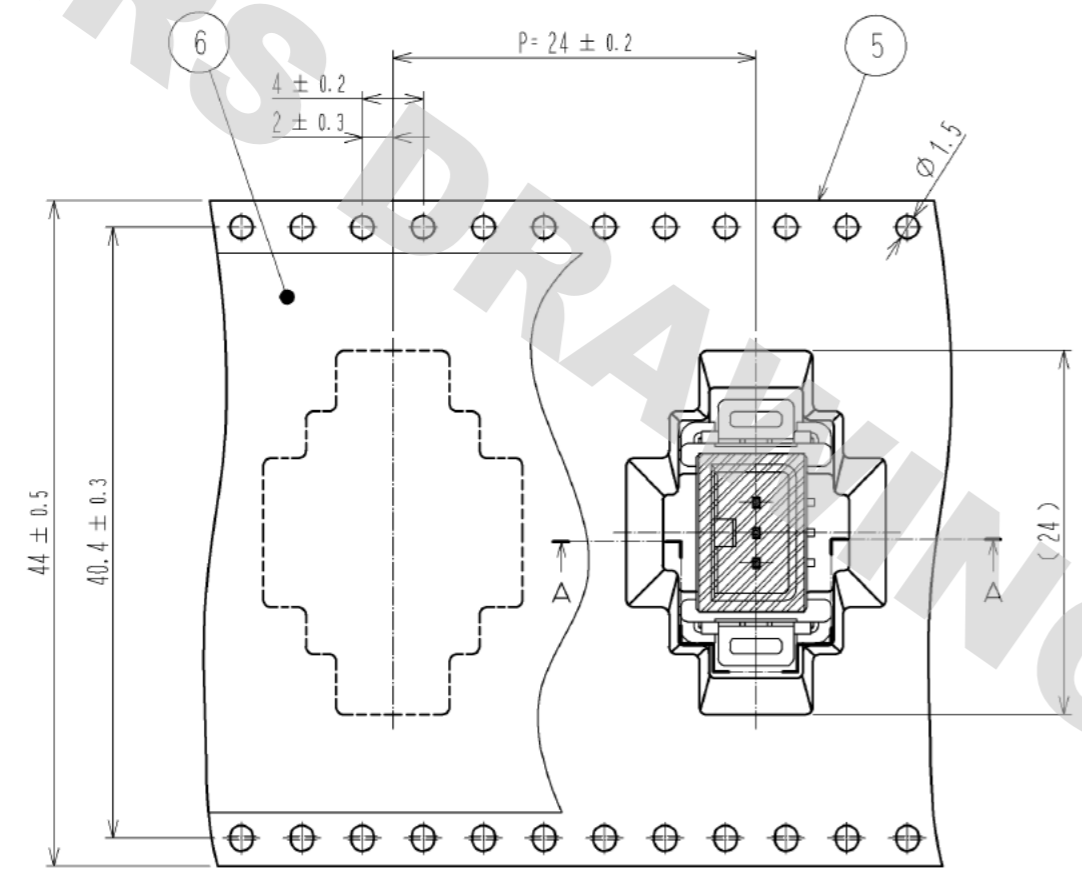
6 DRAWING FOR PACKING.

3	BRASS	TIN AND COPPER ARROY PLATING	6	PET	COVER TAPE
2	BRASS	TIN AND COPPER ARROY PLATING	5	PS	EMBOSSED CARRIER TAPE
1	PPS	BLACK	4	POLYIMIDE	PICK & PLACE TAPE
NO.	MATERIAL	FINISH . REMARKS	NO.	MATERIAL	FINISH . REMARKS
UNITS mm		SCALE 2 : 1	COUNT	DESCRIPTION OF REVISIONS	
DESIGNED		CHECKED		DATE	
APPROVED : AR. SHIRAI			12.11.29	DRAWING NO. EDC3-168890-00	
CHECKED : NH. NAKATA			12.11.28	PART NO. GT8EH-3P-2V	
DESIGNED : HH. TSUKUMO			12.11.27	CODE NO. CL758-1016-0-00	
DRAWN : HH. TSUKUMO			12.11.27	1/2	

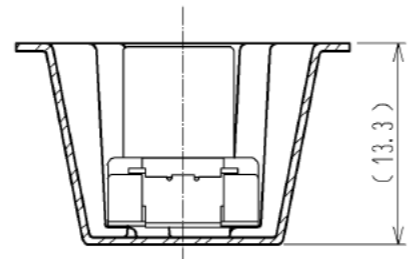
DRAWING FOR REFERENCE: This is subject to change without notice 05/31/2013

ELV, RoHS COMPLIANT

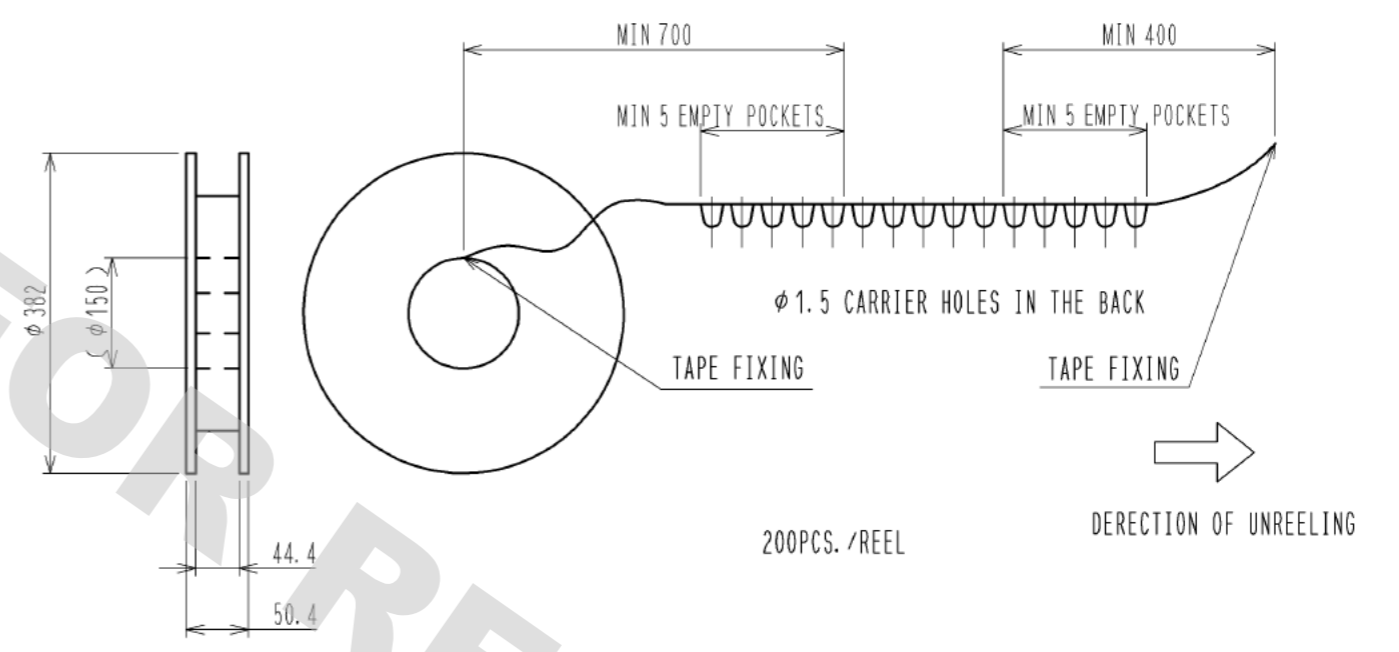
6 DRAWING FOR PACKING



DERECTION OF UNREELING

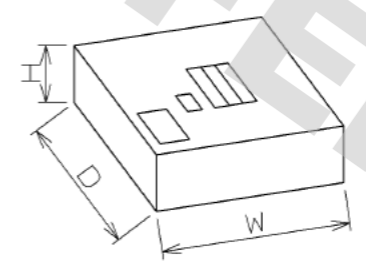


A-A



DERECTION OF UNREELING

SIZE OF A CARDBOARD



W=(405) (mm)
 D=(405) (mm)
 H=(51) (mm)



図番:	EDC3-168890-00
製品名:	GT8EH-3P-2V
製品コード:	CL758-1016-0-00

△ 2/2

DRAWING FOR REFERENCE: This is subject to change without notice
05/31/2013

X-ON Electronics

Largest Supplier of Electrical and Electronic Components

Click to view similar products for [Automotive Connectors](#) category:

Click to view products by [Hirose](#) manufacturer:

Other Similar products are found below :

[003-018-000](#) [60403001](#) [60993906-B](#) [M902-2131](#) [M902-2161](#) [72.330.1035.1](#) [73.353.4028.0](#) [F119300-B](#) [F166900](#) [F258300-B](#) [F358300-B](#)
[F407400](#) [F444110](#) [F487000](#) [F509500B-B](#) [827153-1](#) [8N1515-32-24P](#) [9-1326729-8](#) [925474-1](#) [928905-1](#) [964562-4](#) [968782-1](#) [GT17SA-8DS-](#)
[HU](#) [98891-1012](#) [98947-1016](#) [12004475-L](#) [12010290](#) [12010309-B](#) [12015454](#) [12020219-B](#) [12020308](#) [12041318-B](#) [12052225-L](#) [12052466](#)
[12059125](#) [12064869](#) [12004327-B](#) [12010503-B](#) [12015308](#) [12015384](#) [12015909](#) [1-21030-1](#) [12041254](#) [12041318](#) [12047946-B](#) [12047957](#)
[12047957-L](#) [12059473](#) [12066261](#) [12110546](#)