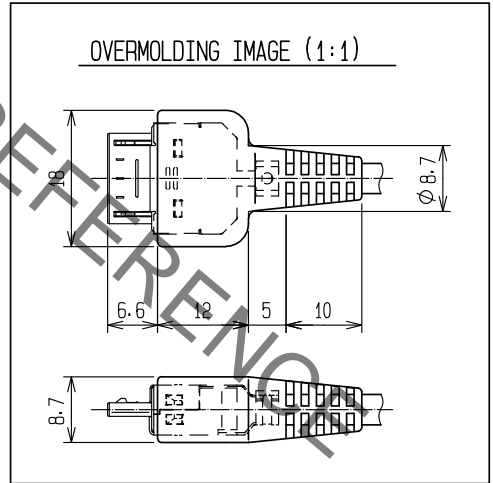
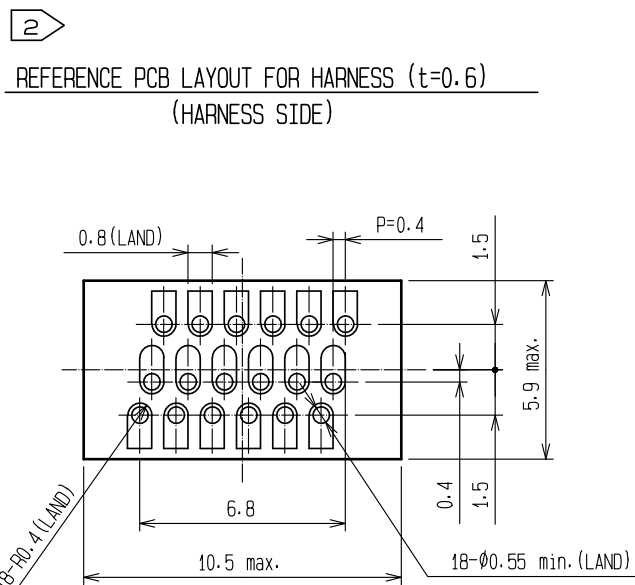
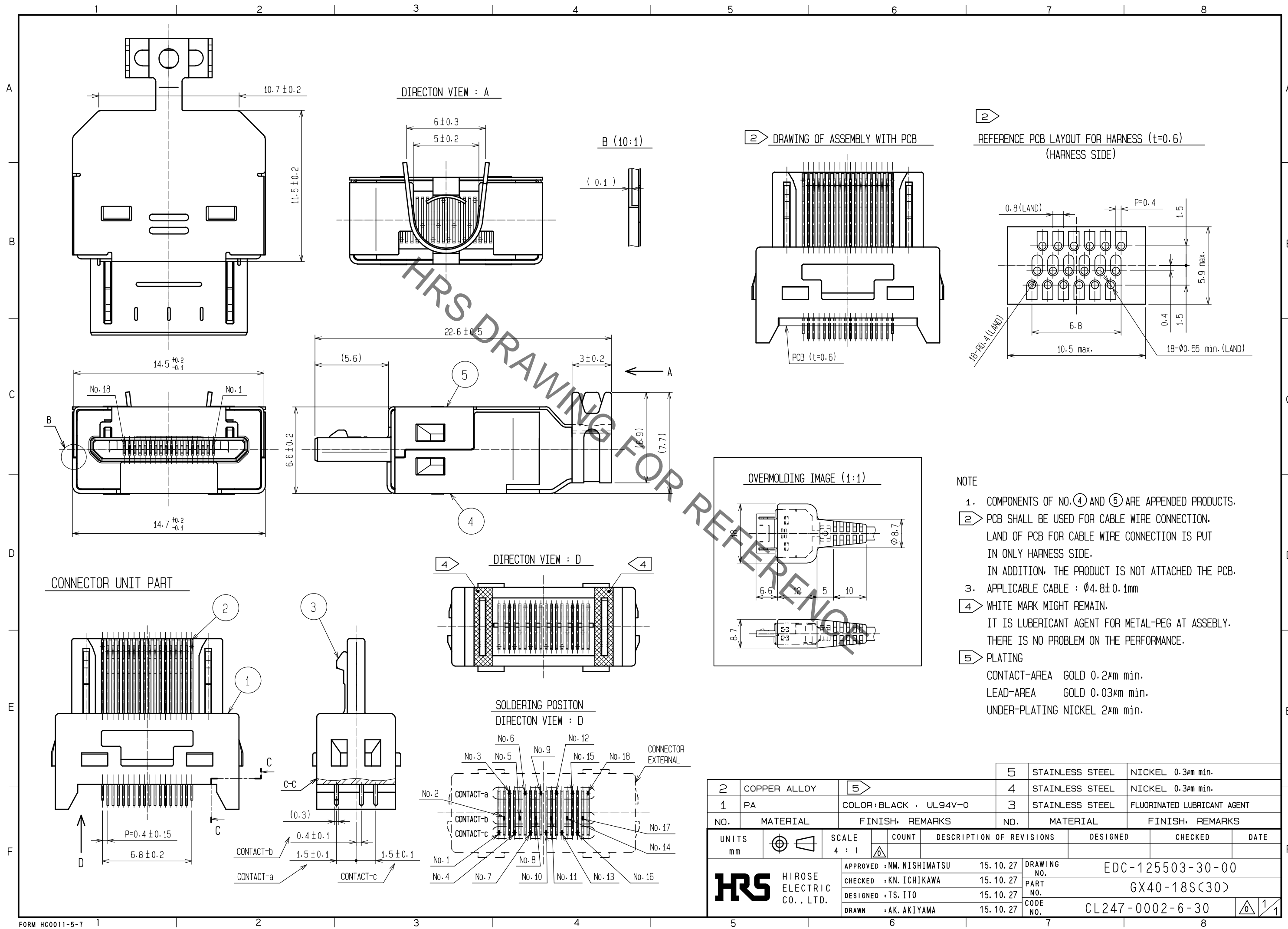
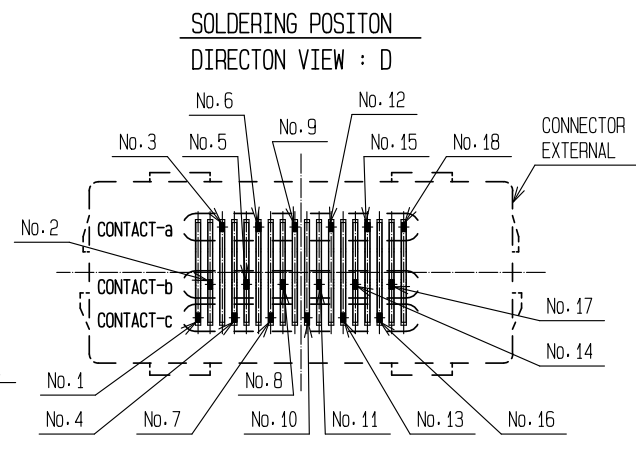


Sep.1.2021 Copyright 2021 HIROSE ELECTRIC CO., LTD. All Rights Reserved.
In case of consideration for using Automotive equipment / device which demand high reliability, kindly contact our sales window correspondents.



- NOTE
- COMPONENTS OF NO. ④ AND ⑤ ARE APPENDED PRODUCTS.
 - PCB SHALL BE USED FOR CABLE WIRE CONNECTION. LAND OF PCB FOR CABLE WIRE CONNECTION IS PUT IN ONLY HARNESS SIDE. IN ADDITION, THE PRODUCT IS NOT ATTACHED THE PCB.
 - APPLICABLE CABLE : $\phi 4.8 \pm 0.1$ mm
 - WHITE MARK MIGHT REMAIN. IT IS LUBRICANT AGENT FOR METAL-PEG AT ASSEMBLY. THERE IS NO PROBLEM ON THE PERFORMANCE.
 - PLATING
CONTACT-AREA GOLD 0.2 μ m min.
LEAD-AREA GOLD 0.03 μ m min.
UNDER-PLATING NICKEL 2 μ m min.



2	COPPER ALLOY	5	5	STAINLESS STEEL	NICKEL 0.3 μ m min.		
1	PA	COLOR:BLACK . UL94V-0	4	STAINLESS STEEL	NICKEL 0.3 μ m min.		
NO.	MATERIAL	FINISH, REMARKS	NO.	MATERIAL	FINISH, REMARKS		
UNITS		SCALE	COUNT	DESCRIPTION OF REVISIONS	DESIGNED	CHECKED	DATE
mm		4 : 1					
APPROVED : NM. NISHIMATSU				15.10.27	DRAWING NO. EDC-125503-30-00		
CHECKED : KN. ICHIKAWA				15.10.27	PART NO. GX40-18S(30)		
DESIGNED : TS. ITO				15.10.27	CODE NO. CL247-0002-6-30		
DRAWN : AK. AKIYAMA				15.10.27	1/1		

X-ON Electronics

Largest Supplier of Electrical and Electronic Components

Click to view similar products for [I/O Connectors](#) category:

Click to view products by [Hirose](#) manufacturer:

Other Similar products are found below :

[571763P](#) [58098-0628](#) [72.250.1628.2](#) [72.250.2428.2](#) [74720-0505](#) [76.350.0729.0](#) [76871-1403](#) [FCN-244F080-G/1](#) [FCN-260A9920](#) [PCR-E36PM](#) [PCS-XE26MA+](#) [G38A71314B](#) [1571250010](#) [157-22500-3](#) [MS3471L14-19P L/C](#) [192991-0703](#) [172501-4002](#) [172501-6002](#) [FCN-260C008-A/L0](#) [FCN-260C024-AL0](#) [FCN-261Z008](#) [2000314-1](#) [200331-1](#) [PCR-E36FC+](#) [PCS-E28FS+](#) [PCS-XE26SLFD+](#) [PCS-XE26SLFDT+](#) [G730VID08BDC24](#) [U90B2054081210](#) [UE86K842720321](#) [38113800006](#) [DP3AR020WQ1R200](#) [Z4.102.0680.0](#) [500-1040](#) [500-1052](#) [500-1054](#) [ZP-4008-66L](#) [0709821002](#) [DX40-20P\(55\)](#) [5554841-1](#) [MS3474W18-8P-LC*](#) [SM3106F14S-7S-LC](#) [U90B3054061110](#) [U65-E04-4020](#) [ZPF000000000097891](#) [557-262M2-06C](#) [747360449](#) [10099439-003C-TRLF](#) [10137239-0021LF](#) [E9320-001-01](#)