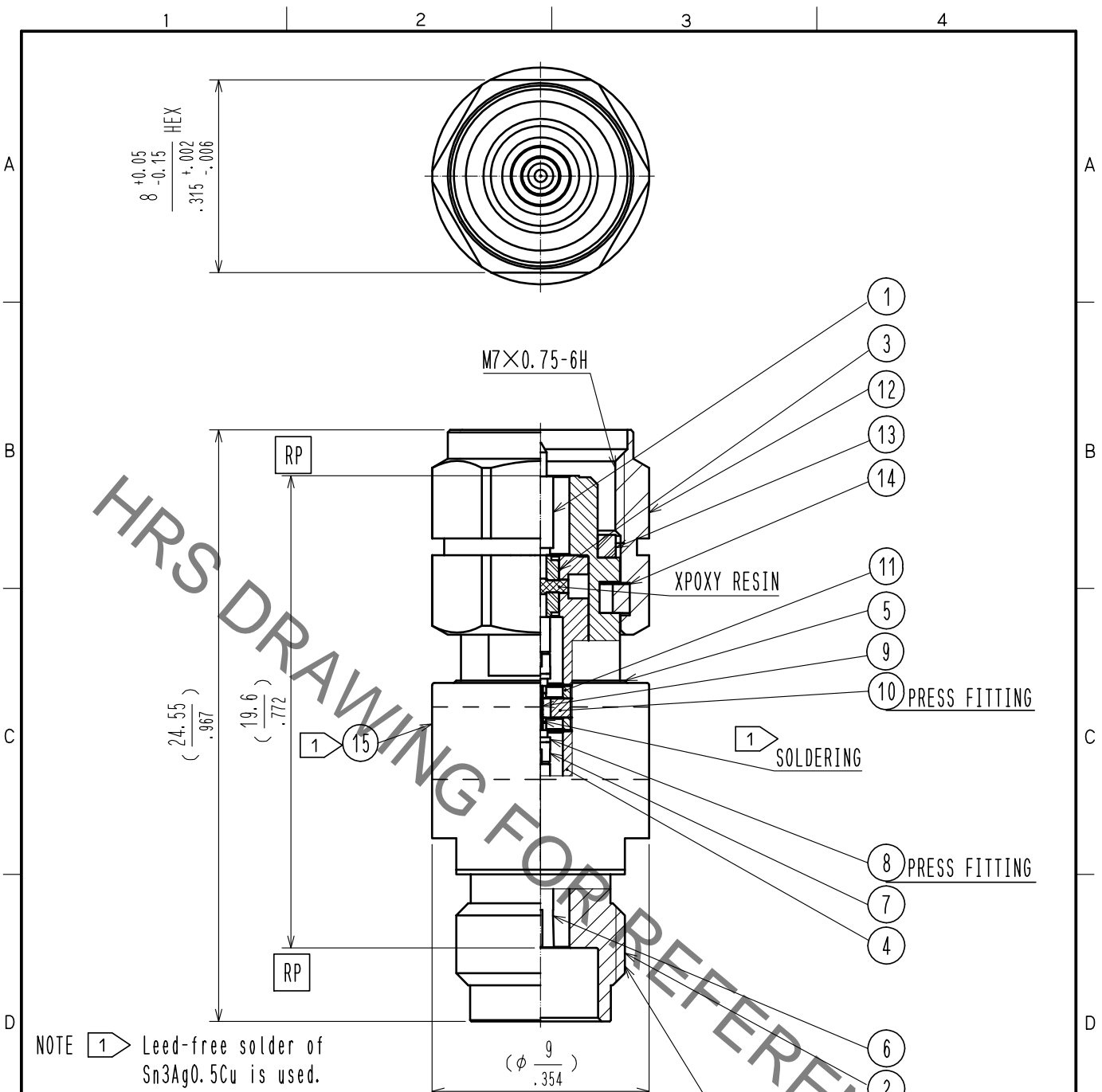


Sep.1.2021 Copyright 2021 HIROSE ELECTRIC CO., LTD. All Rights Reserved.
In case of consideration for using Automotive equipment / device which demand high reliability, kindly contact our sales window correspondents.



NOTE 1 Lead-free solder of Sn3Ag0.5Cu is used.

2 Marking of label.
1. Part No. H2.4-AT(3)-PJ
2. Production No.
3. Manufacturer abbreviation.

RoHS COMPLIANT

| 8 | BRASS | GOLD PLATING | | | | | |
|-----|------------------|--------------|---------|------------------|----------------|--------|---------|
| 7 | BERYLLIUM COPPER | GOLD PLATING | 15 | | LABEL | | |
| 6 | STAINLESS STEEL | PASSIVATE | 14 | BERYLLIUM COPPER | NICKEL PLATING | | |
| 5 | STAINLESS STEEL | PASSIVATE | 13 | SILICON RUBBER | | | |
| 4 | STAINLESS STEEL | GOLD PLATING | 12 | STAINLESS STEEL | PASSIVATE | | |
| 3 | PTFE | | 11 | ALUMINIUM | | | |
| 2 | BERYLLIUM COPPER | GOLD PLATING | 10 | BRASS | GOLD PLATING | | |
| 1 | BRASS | GOLD PLATING | 9 | ALUMINA | | | |
| NO. | MATERIAL | FINISH | REMARKS | NO. | MATERIAL | FINISH | REMARKS |

| UNITS mm | SCALE 4 : 1 | COUNT | DESCRIPTION OF REVISIONS | DESIGNED | CHECKED | DATE |
|---------------------------|----------------|-------|---|--|---------|------|
| | | | | | | |
| HIROSE ELECTRIC CO., LTD. | | | APPROVED : KH. IKEDA 18.02.08 CHECKED : TS. NOBE 18.02.08 DESIGNED : HA. NISHIMURA 18.02.08 DRAWN : HA. NISHIMURA 18.02.08 | DRAWING NO. EDC-381493-00-00 PART NO. H2.4-AT(3)-PJ CODE NO. CL354-0291-0-00 | 1/1 | |

X-ON Electronics

Largest Supplier of Electrical and Electronic Components

Click to view similar products for [Attenuators - Interconnects](#) category:

Click to view products by [Hirose](#) manufacturer:

Other Similar products are found below :

[R411803119](#) [R413806115](#) [R413808000](#) [R413810115](#) [R413850115](#) [R414510000](#) [R414701000](#) [R415303000](#) [BNC-13](#) [R411800121](#)
[R411801121](#) [R412412124](#) [R412450000](#) [R413800000](#) [R413805000](#) [R413830000](#) [R413840115](#) [R414730000](#) [R415420000](#) [R415703000](#)
[R416010000](#) [R420003110](#) [R411801000](#) [R411815121](#) [R413305000](#) [R413801000](#) [R414520000](#) [R411808121](#) [R412500124](#) [R412414124](#)
[R412501124](#) [HMC-C584](#) [R413802000](#) [R412400124](#) [R411700124](#) [R417310130](#) [R411801119](#) [R412419124](#) [R411703124](#) [R412401124](#)
[R443131000](#) [R417130110](#) [R414700000](#) [R414505000](#) [R411802119](#) [R417720128](#) [R420706110](#) [R413811000](#) [R413803115](#) [R414501000](#)