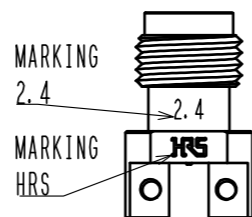


Sep.1.2021 Copyright 2021 HIROSE ELECTRIC CO., LTD. All Rights Reserved.
In case of consideration for using Automotive equipment / device which demand high reliability, kindly contact our sales window correspondents.

Attachment: Unified screw thread 0-80UNF 3/16inch

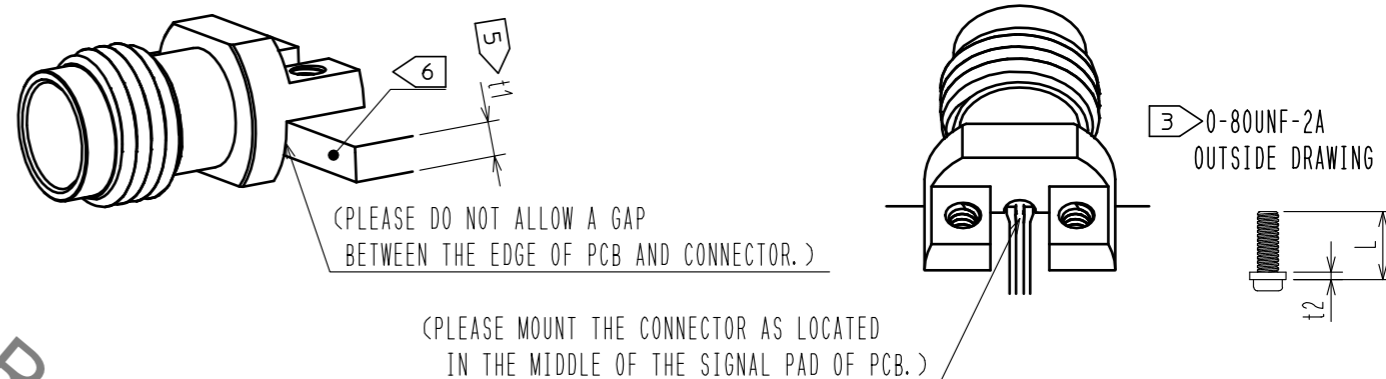
MARKING POSITION



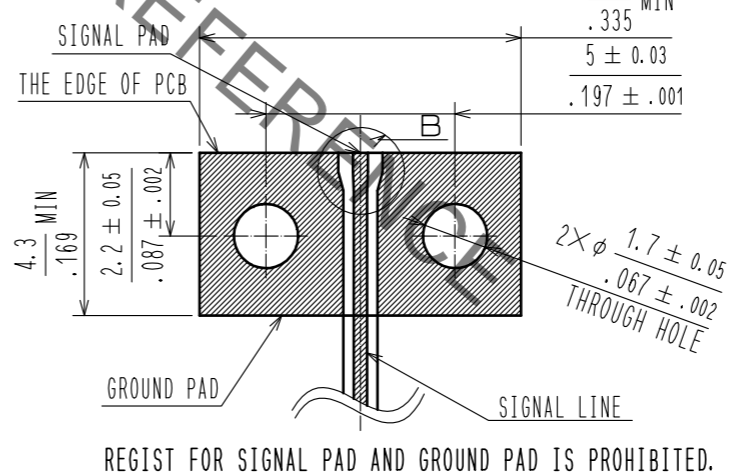
- NOTES
- 1 WHEN MATING THE CONNECTOR, PLEASE HOLD MILLING AREA OF 6.4 ± 0.2 WITH A WRENCH.
 - 2 0-80UNF-2B SCREW TIGHTENING TORQUE IS $0.09 \text{ N} \cdot \text{m}$. PLEASE TIGHTEN THE SCREWS EVENLY WHEN MOUNTING THE CONNECTORS TO ENSURE STABLE ELECTRICAL CONTACT.
 - 3 PLEASE USE A PCB MOUNTING SCREW OF THE LENGTH OF L(mm). THE LENGTH OF L(mm) IS PCB THICKNESS $t_1(\text{mm})$ + SPRING WASHER THICKNESS $t_2(\text{mm})$ + $1.8(\text{mm})$. PLEASE USE A SCREW WITH SPRING WASHER.
 - 4 THE INDICATED DIMENSION IS THE CASE OF WHICH DIELECTRIC CONSTANT OF SUBSTRATE IS 3.35 AND THICKNESS IS $t=0.2\text{mm}$. LAND PATTERN LAYOUT DEPENDS ALSO ON ELECTRIC CONSTANT, THICKNESS AND LAYER CONSTRUCTION OF PCB. FOR BETTER PERFORMANCE, SIMULATION OF PCB WITH CONNECTOR IS RECOMMENDED.
 - 5 RECOMMENDED PCB THICKNESS t_1 IS GREATER THAN 1.0mm .
 - 6 SIDE PLATING OF THE BOARD IS RECOMMENDED.
 - 7 THIS CONNECTOR SHOULD BE USE FOR TEST PORT ONLY.

MOUNTING OF CONNECTOR

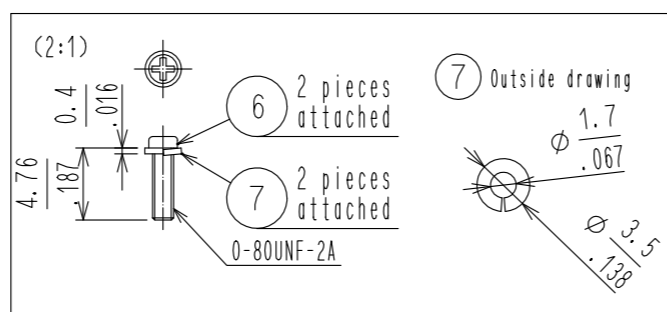
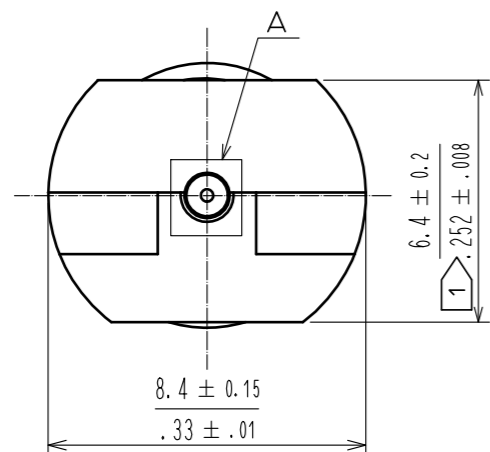
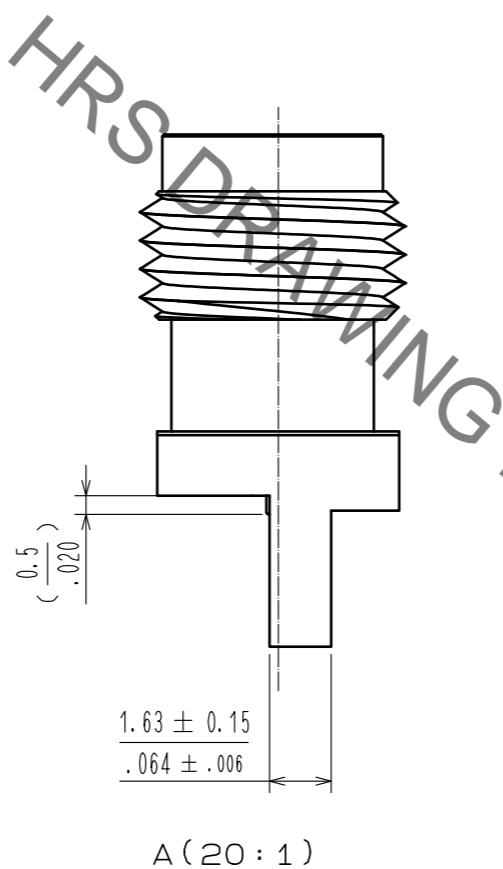
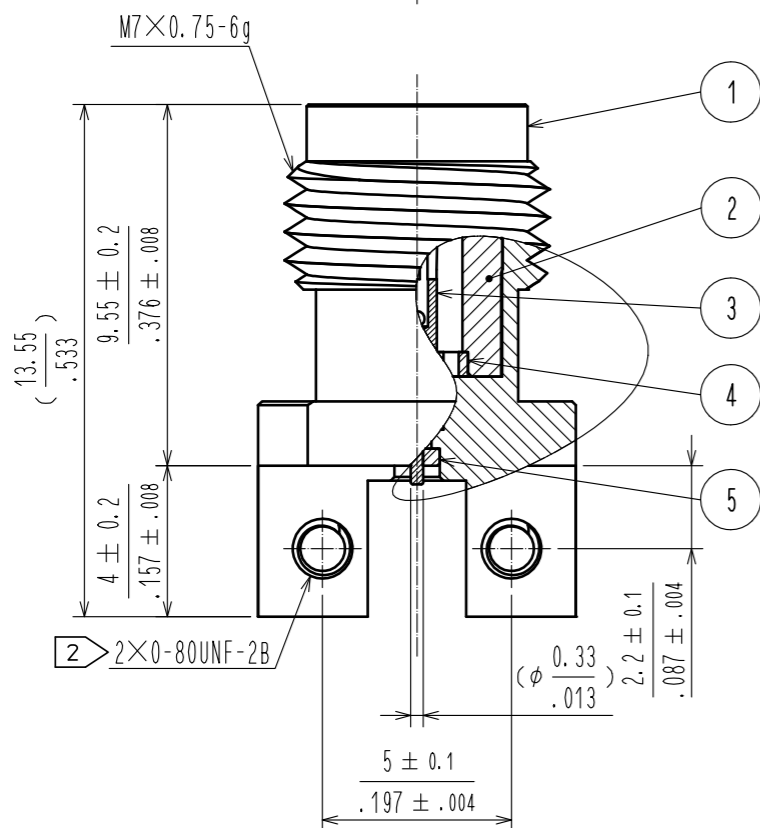
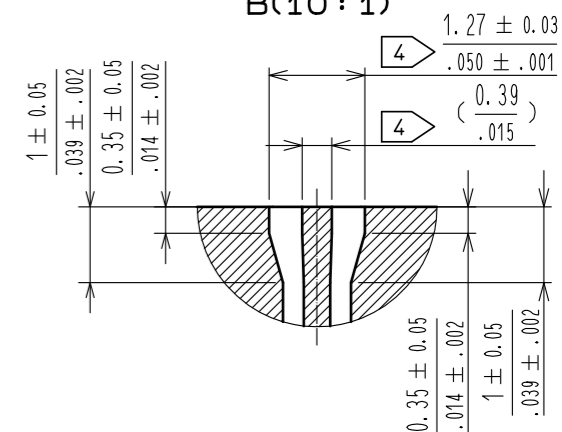
- (1) WHEN THE CONNECTOR IS MOUNTED ON PCB, PLEASE DO NOT ALLOW A GAP BETWEEN THE EDGE OF PCB AND CONNECTOR.
- (2) PLEASE MOUNT THE CONNECTOR AS LOCATED IN THE MIDDLE OF THE SIGNAL PAD OF PCB.
- (3) SOLDERING CONDITIONS:(OPTIONAL:IT'S POSSIBLE TO USE WITHOUT SOLDERING)
FOR THE MANUAL SOLDERING, SOLDERING IRON BIT TEMPERATURE IS 380°C MAX. FOR 5 SECONDS MAX.



RECOMMENDED PC BOARD PATTERN DRAWING



(DRAWING CHANGED)
B(10:1)



3	BERYLLIUM COPPER	GOLD PLATING	7	STAINLESS STEEL	Spring washer
2	STAINLESS STEEL	PASSIVATE	6	STEEL	0-80UNF-2A Screw
1	BRASS	NICKEL PLATING	5	POLYETHER IMIDE	
			4	POLYETHER IMIDE	
NO.	MATERIAL	FINISH . REMARKS	NO.	MATERIAL	FINISH . REMARKS
UNITS [mm/in] SCALE 5:1 COUNT 1 DESCRIPTION OF REVISIONS DIS-D-00003223			DESIGNED DS. YAMAKOSHI CHECKED NK. NINOMIYA DATE 18.06.19		
APPROVED : KH. IKEDA 17.01.23			DRAWING NO. EDC-368795-12-01		
CHECKED : TS. NOBE 17.01.20			PART NO. H2.4-LR-SR2(12)		
DESIGNED : TP. MATSUMOTO 17.01.20			CODE NO. CL338-0603-0-12		
DRAWN : TP. MATSUMOTO 17.01.20					

X-ON Electronics

Largest Supplier of Electrical and Electronic Components

Click to view similar products for [RF Connectors / Coaxial Connectors](#) category:

Click to view products by [Hirose](#) manufacturer:

Other Similar products are found below :

[8915-1511-000](#) [89674-0827](#) [6001-7071-019](#) [6002-7051-003](#) [6002-7551-202](#) [6059674-1](#) [619550-1](#) [630059-000](#) [M39030/3-01N](#) [6500-7071-046](#) [6769](#) [CX050L2AQ](#) [7002-1542-011](#) [7004-1512-000](#) [7009-1511-004](#) [7010-1511-000](#) [7029-1511-060](#) [7101-1541-010](#) [7101-1571-002](#) [7105-1521-002](#) [7145-1521-002](#) [7203-1571-003](#) [7209-1511-011](#) [7210-1511-015](#) [7210-1511-019](#) [73137-5015](#) [73216-2241](#) [7325-1512-000](#) [73404-2300](#) [7405-1521-005](#) [7405-1521-802](#) [7406-1521-005](#) [8527](#) [8547](#) [FS11V](#) [8808-1511-001](#) [9049-9513-000](#) [9074-9513-000](#) [9101-9573-002](#) [910A205F](#) [9130-9573-002](#) [PL11SC-026](#) [PL375-33](#) [PL40-5](#) [PL71-9](#) [PL74C-221](#) [PL75MC-217](#) [PL803-7](#) [980-8666-005](#) [1200690078](#)