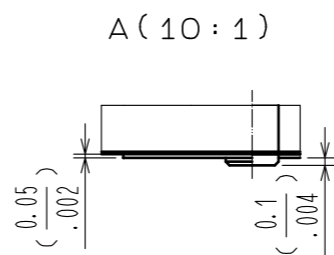
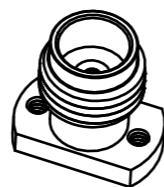
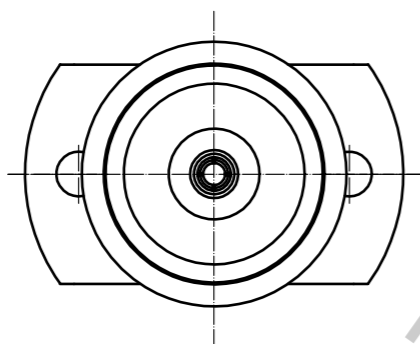
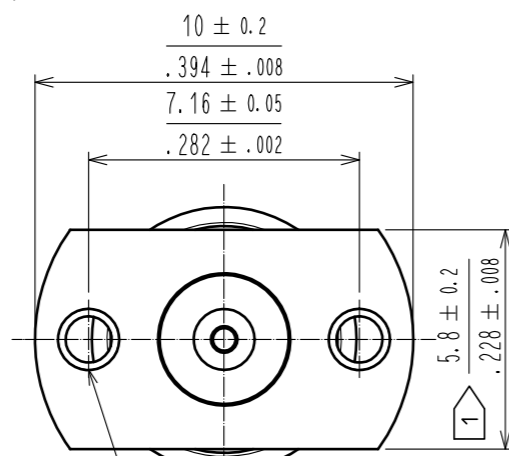
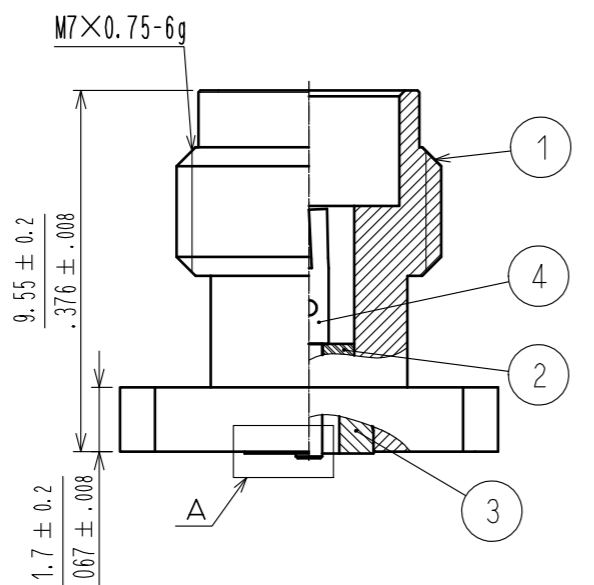


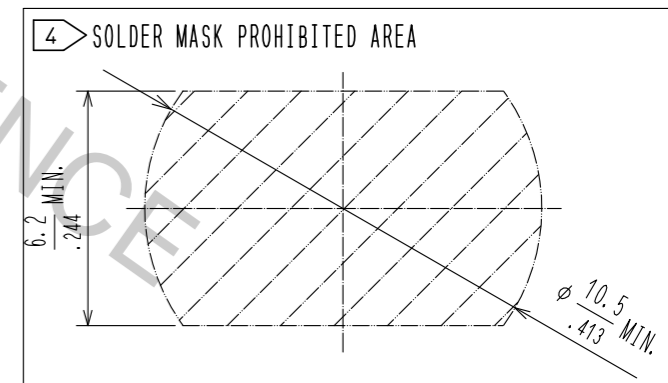
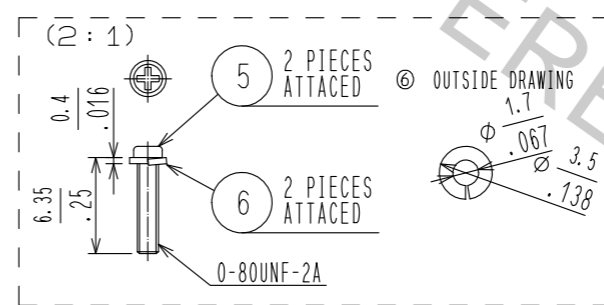
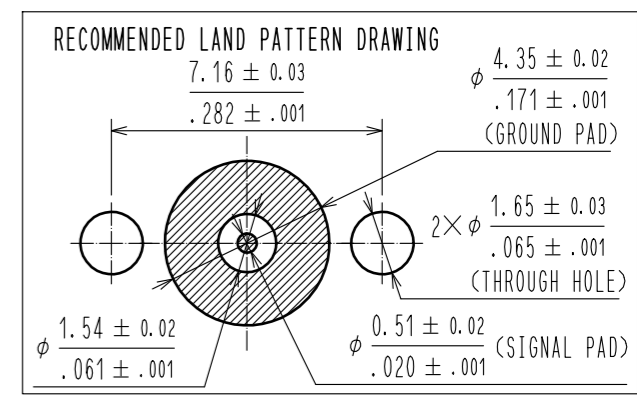
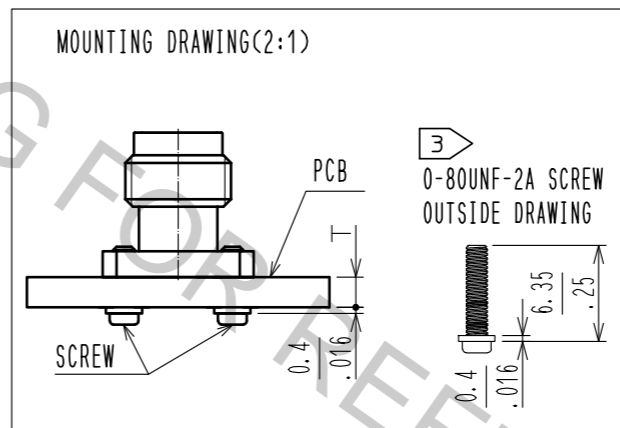
Attachment: Unified screw thread 0-80UNF 1/4inch



- 1 WHEN MATING THE CONNECTOR, PLEASE HOLD MILLING AREA OF 5.8 ± 0.2 WITH A SPANNER NOT TO PLACE STRESS ON PCB BY THE TORQUE.
- 2 0-80UNF-2B SCREW TIGHTENING TORQUE IS $0.09N \cdot m$. PLEASE TIGHTEN THE SCREWS EVENLY WHEN MOUNTING THE CONNECTORS TO ENSURE STABLE ELECTRICAL CONTACT.
- 3 PLEASE USE ATTACHED SCREW AND WASHER FOR PCB MOUNTING. ATTACHED SCREW AND WASHER APPLY PCB THICKNESS $T=2.4$ TO $4.25mm$.
- 4 INDICATES THE AREA THAT SOLDER MASK IS PROHIBITED.
5. THIS CONNECTOR SHOULD BE USE FOR TEST PORT ONLY.



2 × 0-80UNF-2B



RoHS COMPLIANT

3	STAINLESS STEEL	GOLD PLATING	6	STAINLESS STEEL	SPRING WASHER
2	PTFE		5	STEEL	0-80UNF-2A SCREW
1	STAINLESS STEEL	PASSIVATE	4	BERYLLIUM COPPER	GOLD PLATING
NO.	MATERIAL	FINISH . REMARKS	NO.	MATERIAL	FINISH . REMARKS

UNITS mm		SCALE 5 : 1	COUNT 1	DESCRIPTION OF REVISIONS DIS-D-00003223	DESIGNED DS. YAMAKOSHI	CHECKED NK. NINOMIYA	DATE 18. 06. 19
APPROVED : KY. SHIMIZU 16. 08. 30				DRAWING NO. EDC-356161-11-01			
CHECKED : TO. KATAYAMA 16. 08. 30				PART NO. H2. 4-R-SR2(11)			
DESIGNED : TP. MATSUMOTO 16. 08. 29				CODE NO. CL338-0601-8-11			
DRAWN : TP. MATSUMOTO 16. 08. 29				1/1			

Dec.1.2018 Copyright 2018 HIROSE ELECTRIC CO., LTD. All Rights Reserved. In case that the application demands a high level of reliability, such as automotive, please contact a company representative for further information.

X-ON Electronics

Largest Supplier of Electrical and Electronic Components

Click to view similar products for [RF Connectors / Coaxial Connectors](#) category:

Click to view products by [Hirose](#) manufacturer:

Other Similar products are found below :

[8915-1511-000](#) [89674-0827](#) [6001-7071-019](#) [6002-7051-003](#) [6002-7551-202](#) [6059674-1](#) [619550-1](#) [630059-000](#) [M39030/3-01N](#) [M3933/25-36N](#) [6500-7071-046](#) [6769](#) [CX050L2AQ](#) [7002-1542-011](#) [7004-1512-000](#) [7009-1511-004](#) [7010-1511-000](#) [7029-1511-060](#) [7101-1541-010](#) [7101-1571-002](#) [7105-1521-002](#) [7145-1521-002](#) [7203-1571-003](#) [7209-1511-011](#) [7210-1511-015](#) [7210-1511-019](#) [73137-5015](#) [73216-2241](#) [7325-1512-000](#) [73404-2300](#) [7405-1521-005](#) [7405-1521-802](#) [7406-1521-005](#) [8527](#) [8547](#) [FS11V](#) [8808-1511-001](#) [9049-9513-000](#) [9074-9513-000](#) [9101-9573-002](#) [910A205F](#) [9130-9573-002](#) [PL11SC-026](#) [PL375-33](#) [PL40-5](#) [PL71-9](#) [PL74C-221](#) [PL75MC-217](#) [PL803-7](#) [980-8666-005](#)