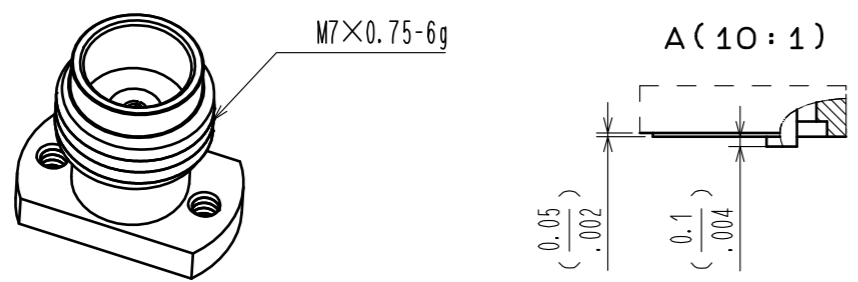
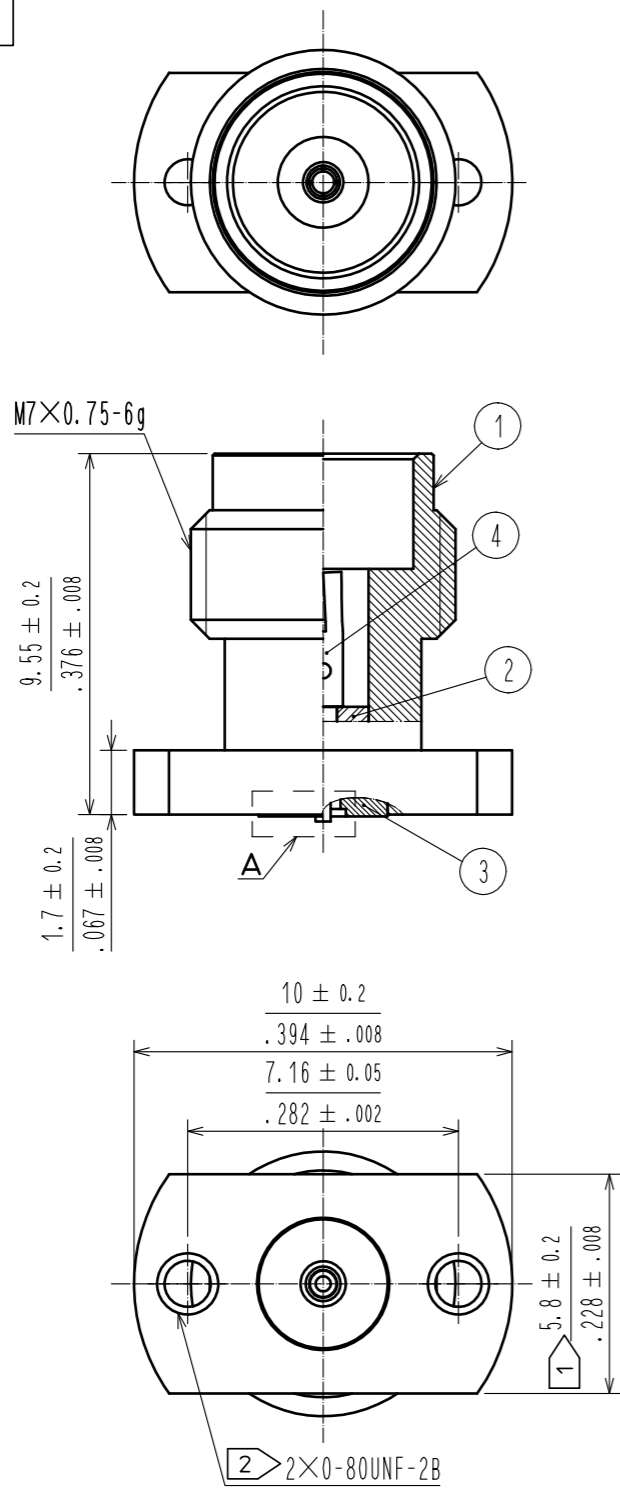


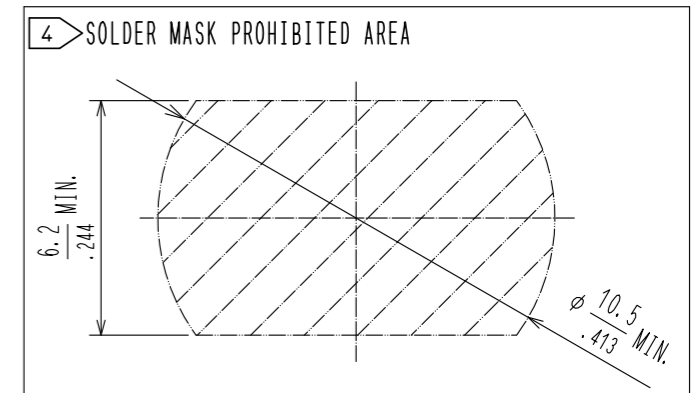
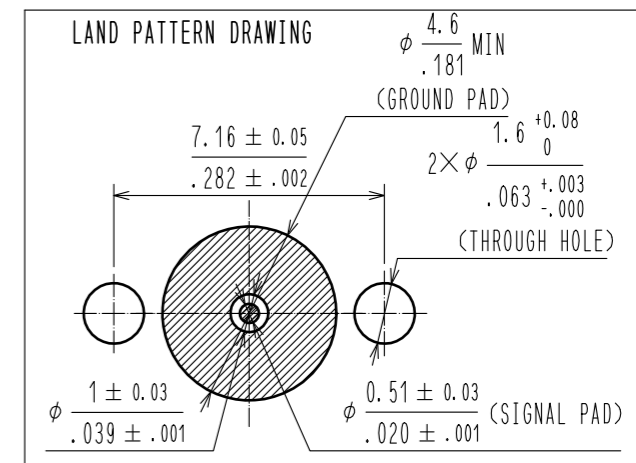
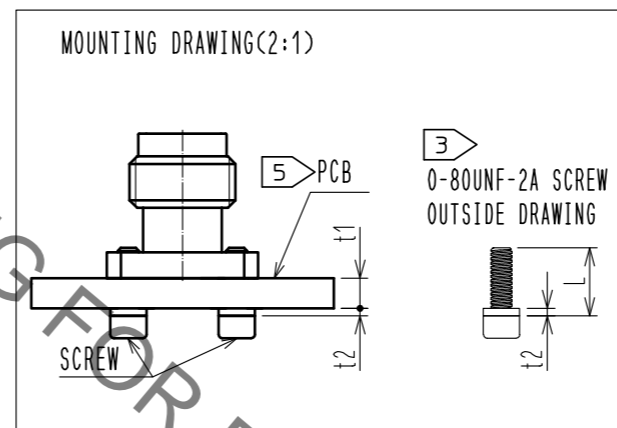
Sep.1.2021 Copyright 2021 HIROSE ELECTRIC CO., LTD. All Rights Reserved.
In case of consideration for using Automotive equipment / device which demand high reliability, kindly contact our sales window correspondents.

Δ 42.5 Ω



- 1 WHEN MATING THE CONNECTOR, PLEASE HOLD THE FRAISE WITH SPANNER NOT TO PLACE STRESS ON PCB BY THE TORQUE.
- 2 0-80UNF-2B SCREW TIGHTENING TORQUE IS 0.09N · m. PLEASE TIGHTEN THE SCREWS EVENLY WHEN MOUNTING THE CONNECTORS TO ENSURE STABLE ELECTRICAL CONTACT.
- 3 PLEASE USE A PCB MOUNTING SCREW OF THE LENGTH OF L(mm) THE LENGTH OF L(mm) IS PCB THICKNESS t1(mm)+ SPRING WASHER THICKNESS t2(mm) + 2(mm). PLEASE USE A SCREW WITH A SPRING WASHER.
- 4 INDICATES THE AREA THAT SOLDER MASK IS PROHIBITED.
- 5 RECOMMENDED PCB THICKNESS t1 IS GREATER THAN 1.0mm.
- 6 THIS CONNECTOR SHOULD BE USE FOR TEST PORT ONLY.
- 7 THIS CONNECTOR IS OPTIMIZED FOR IMPEDANCE 42.5 Ω SIGNAL LINE.

HRS DRAWING FOR REFERENCE



RoHS COMPLIANT

2	PTFE		4	BERYLLIUM COPPER GOLD PLATING			
1	STAINLESS STEEL	PASSIVATE	3	STAINLESS STEEL GOLD PLATING			
NO.	MATERIAL	FINISH . REMARKS	NO.	MATERIAL FINISH . REMARKS			
UNITS		SCALE	COUNT	DESCRIPTION OF REVISIONS	DESIGNED	CHECKED	DATE
mm		5 : 1	1	DIS-D-00003223	DS. YAMAKOSHI	NK. NINOMIYA	18. 06. 19
HRS HIROSE ELECTRIC CO., LTD.		APPROVED : KY. SHIMIZU	16. 08. 30	DRAWING NO. EDC-368164-00-02			
		CHECKED : TO. KATAYAMA	16. 08. 30	PART NO. H2. 4-R-SR2-IN			
		DESIGNED : TP. MATSUMOTO	16. 08. 29	CODE NO. CL338-0602-0-00			
		DRAWN : TP. MATSUMOTO	16. 08. 29			1/1	

X-ON Electronics

Largest Supplier of Electrical and Electronic Components

Click to view similar products for [RF Connectors / Coaxial Connectors](#) category:

Click to view products by [Hirose](#) manufacturer:

Other Similar products are found below :

[8915-1511-000](#) [89674-0827](#) [6001-7071-019](#) [6002-7051-003](#) [6002-7551-202](#) [6059674-1](#) [619550-1](#) [630059-000](#) [M39030/3-01N](#) [6500-7071-046](#) [6769](#) [CX050L2AQ](#) [7002-1542-011](#) [7004-1512-000](#) [7009-1511-004](#) [7010-1511-000](#) [7029-1511-060](#) [7101-1541-010](#) [7101-1571-002](#) [7105-1521-002](#) [7145-1521-002](#) [7203-1571-003](#) [7209-1511-011](#) [7210-1511-015](#) [7210-1511-019](#) [73137-5015](#) [73216-2241](#) [7325-1512-000](#) [73404-2300](#) [7405-1521-005](#) [7405-1521-802](#) [7406-1521-005](#) [8527](#) [8547](#) [FS11V](#) [8808-1511-001](#) [9049-9513-000](#) [9074-9513-000](#) [9101-9573-002](#) [910A205F](#) [9130-9573-002](#) [PL11SC-026](#) [PL375-33](#) [PL40-5](#) [PL71-9](#) [PL74C-221](#) [PL75MC-217](#) [PL803-7](#) [980-8666-005](#) [1200690078](#)