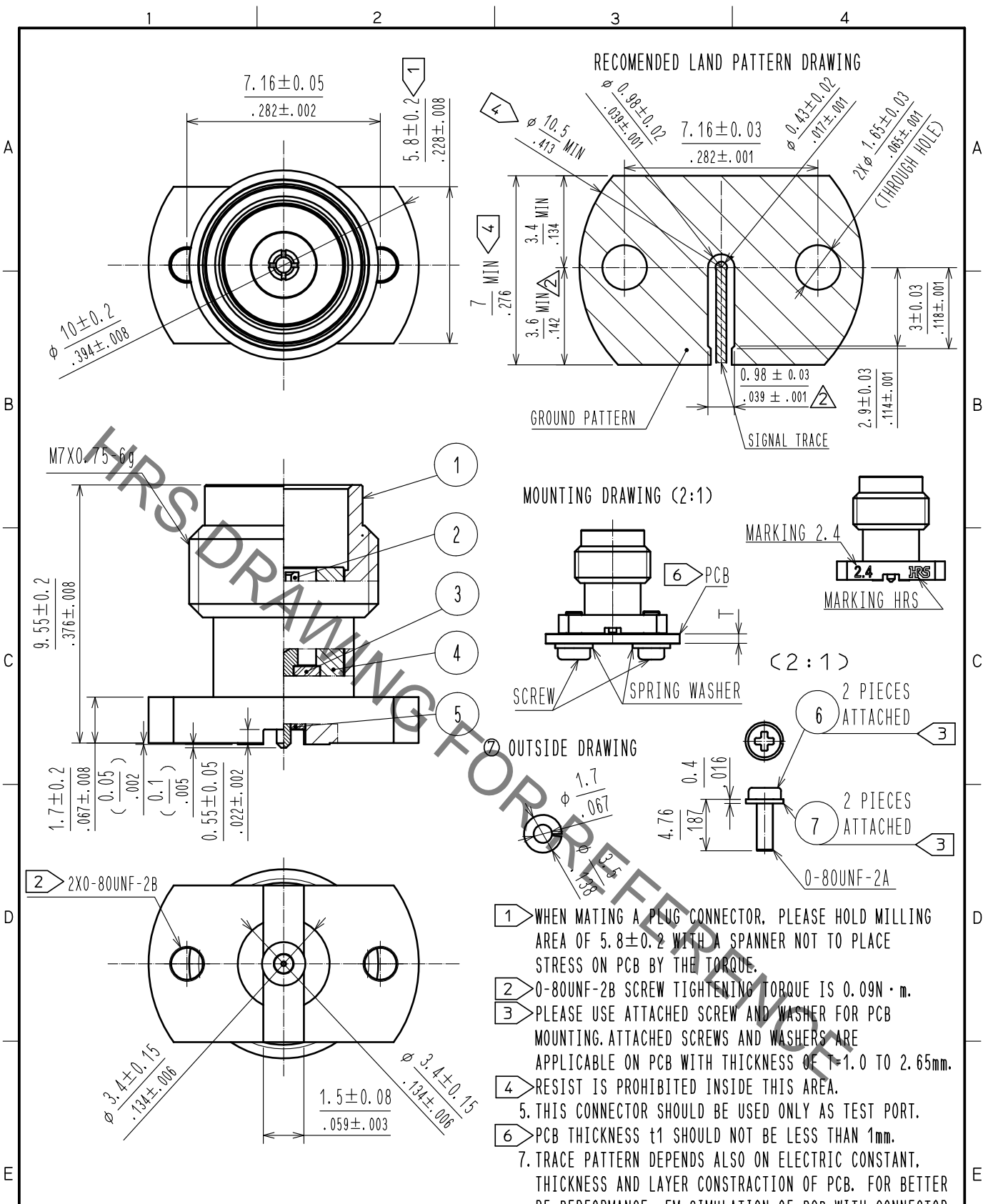


Jan.1.2022 Copyright 2022 HIROSE ELECTRIC CO., LTD. All Rights Reserved.
 In case of consideration for using Automotive equipment / device which demand high reliability, kindly contact our sales window correspondents.



- 1 WHEN MATING A PLUG CONNECTOR, PLEASE HOLD MILLING AREA OF 5.8 ± 0.2 WITH A SPANNER NOT TO PLACE STRESS ON PCB BY THE TORQUE.
- 2 0-80UNF-2B SCREW TIGHTENING TORQUE IS $0.09N \cdot m$.
- 3 PLEASE USE ATTACHED SCREW AND WASHER FOR PCB MOUNTING. ATTACHED SCREWS AND WASHERS ARE APPLICABLE ON PCB WITH THICKNESS OF 1-1.0 TO 2.65mm.
- 4 RESIST IS PROHIBITED INSIDE THIS AREA.
- 5 THIS CONNECTOR SHOULD BE USED ONLY AS TEST PORT.
- 6 PCB THICKNESS t_1 SHOULD NOT BE LESS THAN 1mm.
- 7 TRACE PATTERN DEPENDS ALSO ON ELECTRIC CONSTANT, THICKNESS AND LAYER CONSTRUCTION OF PCB. FOR BETTER RF PERFORMANCE, EM SIMULATION OF PCB WITH CONNECTOR IS RECOMMENDED.

4	STAINLESS STEEL	PASSIVATED		7	STAINLESS STEEL	SPRING WASHER	
3	PTFE			6	STEEL	0-80UNF-2A SCREW	
2	BERYLLIUM COPPER	GOLD PLATING		5	PEI		
1	STAINLESS STEEL	GOLD PLATING					
NO.	MATERIAL	FINISH	REMARKS	NO.	MATERIAL	FINISH	REMARKS

UNITS mm / inch		SCALE 5 : 1	COUNT 2	DESCRIPTION OF REVISIONS DIS-D-00006614	DESIGNED MS. MATSUMOTO	CHECKED AH. MARUYAMA	DATE 20210218
--------------------	--	----------------	------------	--	---------------------------	-------------------------	------------------

HRS HIROSE ELECTRIC CO., LTD.	APPROVED : TS. NOBE	20200521	DRAWING NO.	EDC-374263-12-00
	CHECKED : NK. NINOMIYA	20200521	PART NO.	H2. 4-R-SR2-S<12>
	DESIGNED : AH. MARUYAMA	20200520	CODE NO.	CL0338-0605-0-12
	DRAWN : AH. MARUYAMA	20200520		

X-ON Electronics

Largest Supplier of Electrical and Electronic Components

Click to view similar products for [RF Connectors / Coaxial Connectors](#) category:

Click to view products by [Hirose](#) manufacturer:

Other Similar products are found below :

[8915-1511-000](#) [89674-0827](#) [6001-7071-019](#) [6002-7051-003](#) [6002-7551-202](#) [6059674-1](#) [619550-1](#) [630059-000](#) [M39030/3-01N](#) [6500-7071-046](#) [6769](#) [CX050L2AQ](#) [7002-1542-011](#) [7004-1512-000](#) [7009-1511-004](#) [7010-1511-000](#) [7029-1511-060](#) [7101-1541-010](#) [7101-1571-002](#) [7105-1521-002](#) [7145-1521-002](#) [7203-1571-003](#) [7209-1511-011](#) [7210-1511-015](#) [7210-1511-019](#) [73137-5015](#) [73216-2241](#) [7325-1512-000](#) [73404-2300](#) [7405-1521-005](#) [7405-1521-802](#) [7406-1521-005](#) [8527](#) [8547](#) [FS11V](#) [8808-1511-001](#) [9049-9513-000](#) [9074-9513-000](#) [9101-9573-002](#) [910A205F](#) [9130-9573-002](#) [PL11SC-026](#) [PL375-33](#) [PL40-5](#) [PL71-9](#) [PL74C-221](#) [PL75MC-217](#) [PL803-7](#) [980-8666-005](#) [1200690078](#)