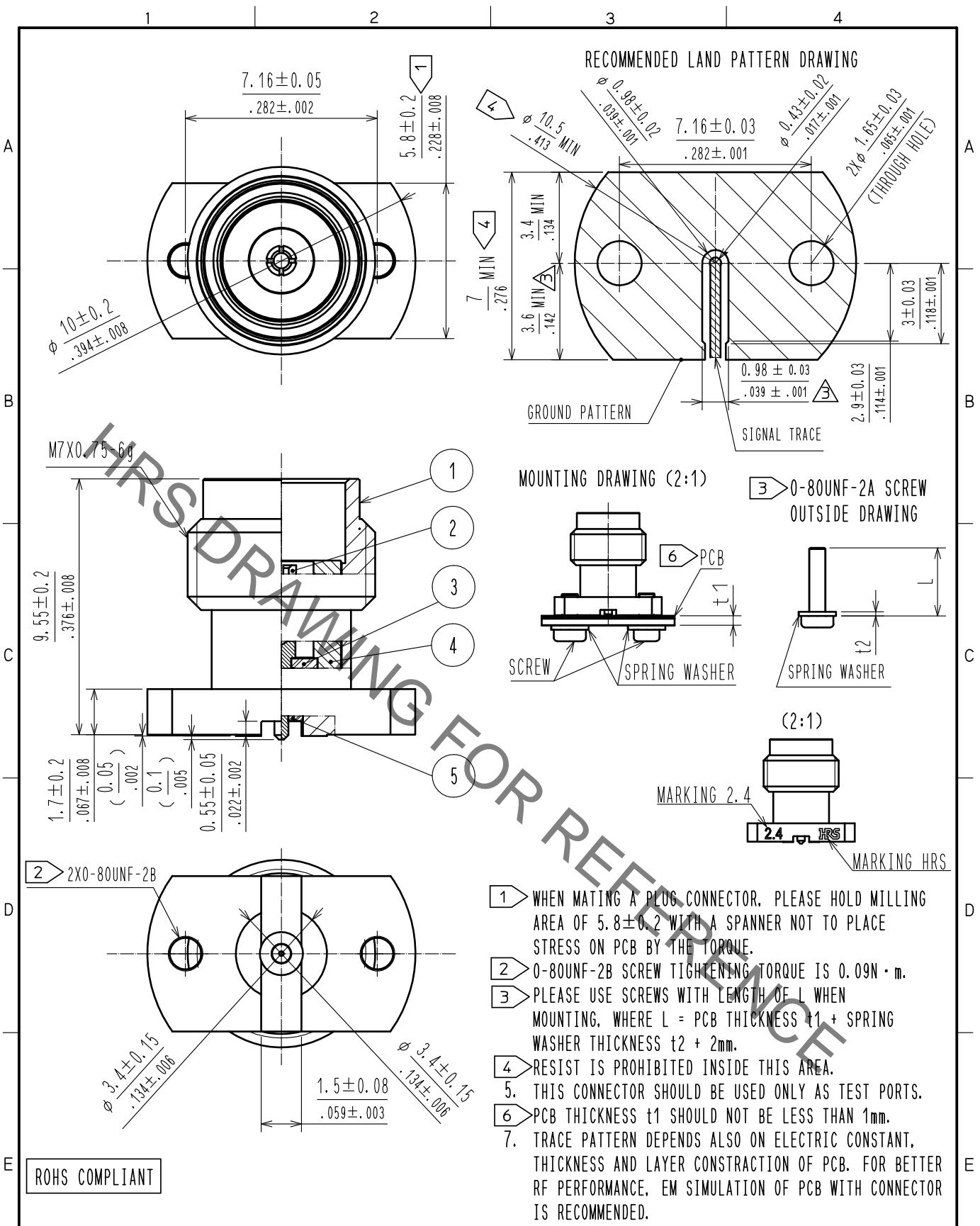


Jan.1.2022 Copyright 2022 HIROSE ELECTRIC CO., LTD. All Rights Reserved.
 In case of consideration for using Automotive equipment / device which demand high reliability, kindly contact our sales window correspondents.



ROHS COMPLIANT

3	PTFE			5	PEI		
2	BERYLLIUM COPPER	GOLD PLATING		4	STAINLESS STEEL	PASSIVATED	
1	STAINLESS STEEL	GOLD PLATING					
NO.	MATERIAL	FINISH	REMARKS	NO.	MATERIAL	FINISH	REMARKS

UNITS mm / inch		SCALE 5 : 1	COUNT 2	DESCRIPTION OF REVISIONS DIS-D-00006614	DESIGNED MS. MATSUMOTO	CHECKED AH. MARUYAMA	DATE 20210218
HIROSE ELECTRIC CO., LTD. APPROVED : TS. NOBE 20180822 CHECKED : HA. NISHIMURA 20180822 DESIGNED : MH. OGUSU 20180822 DRAWN : MH. OGUSU 20180822				DRAWING NO. EDC-374263-00-00 PART NO. H2.4-R-SR2-S CODE NO. CL0338-0605-0-00			

X-ON Electronics

Largest Supplier of Electrical and Electronic Components

Click to view similar products for [RF Connectors / Coaxial Connectors](#) category:

Click to view products by [Hirose](#) manufacturer:

Other Similar products are found below :

[8915-1511-000](#) [89674-0827](#) [6001-7071-019](#) [6002-7051-003](#) [6002-7551-202](#) [6059674-1](#) [619550-1](#) [630059-000](#) [M39030/3-01N](#) [M3933/25-36N](#) [6500-7071-046](#) [6769](#) [CX050L2AQ](#) [7002-1542-011](#) [7004-1512-000](#) [7009-1511-004](#) [7010-1511-000](#) [7029-1511-060](#) [7101-1541-010](#) [7101-1571-002](#) [7105-1521-002](#) [7145-1521-002](#) [7203-1571-003](#) [7209-1511-011](#) [7210-1511-015](#) [7210-1511-019](#) [73137-5015](#) [73216-2241](#) [7325-1512-000](#) [73404-2300](#) [7405-1521-005](#) [7405-1521-802](#) [7406-1521-005](#) [8527](#) [8547](#) [FS11V](#) [8808-1511-001](#) [9049-9513-000](#) [9074-9513-000](#) [9101-9573-002](#) [910A205F](#) [9130-9573-002](#) [PL11SC-026](#) [PL375-33](#) [PL40-5](#) [PL71-9](#) [PL74C-221](#) [PL75MC-217](#) [PL803-7](#) [980-8666-005](#)