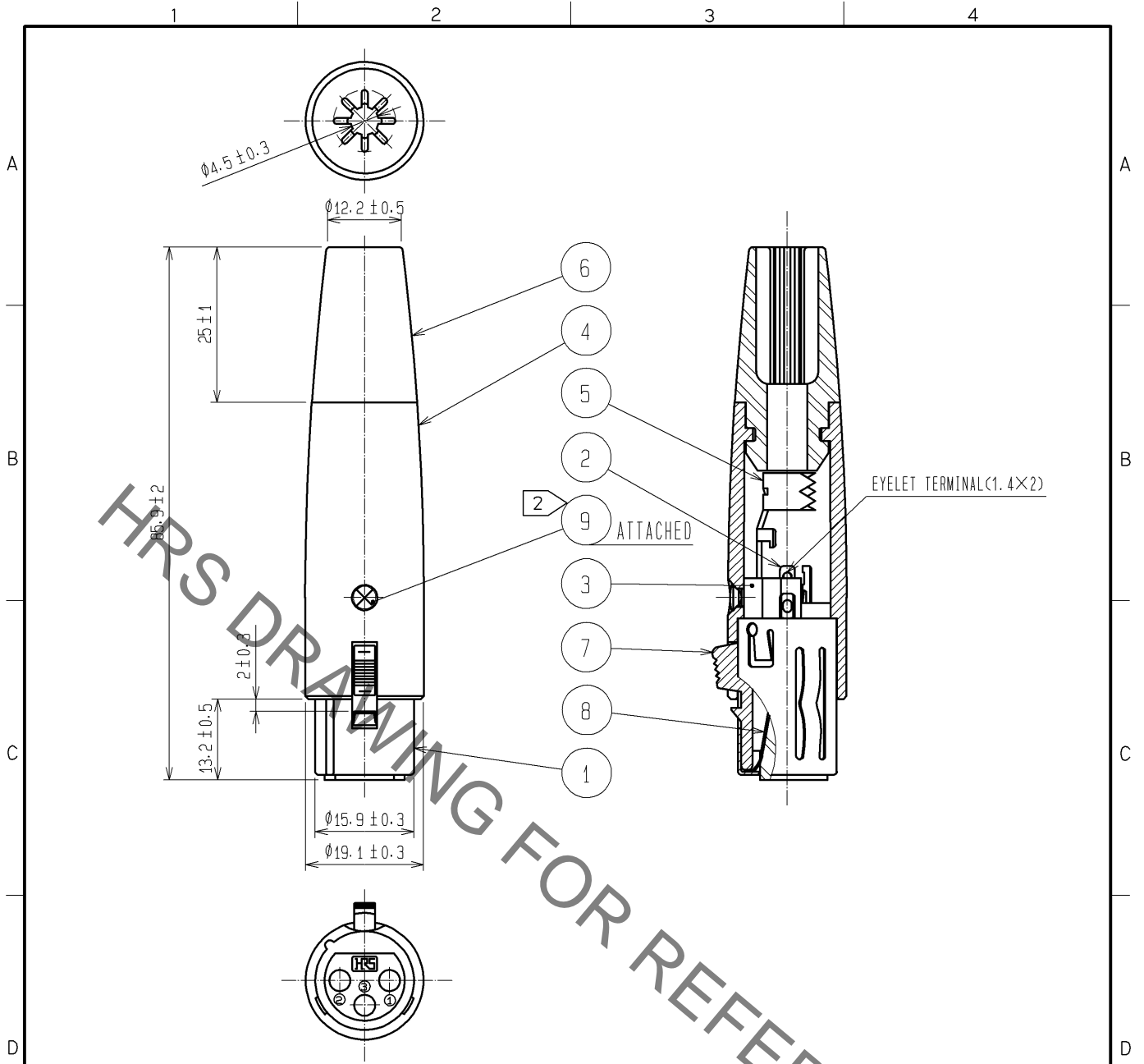


May.1.2021 Copyright 2021 HIROSE ELECTRIC CO., LTD. All Rights Reserved.  
 In case of consideration for using Automotive equipment / device which demand high reliability, kindly contact our sales window correspondents.



- NOTES 1 THE COMPONENTS ON REF. NO. ①, ②, ③, ⑤, ⑦, ⑧, AND THE COMPONENTS ON REF. NO. ④, ⑥, ARE ASSEMBLED. THESE TWO COMPONENTS AND REF. NO. ⑨ ARE NOT ASSEMBLED AND DELIVERED BY DISASSEMBLY.
- ② THE RECOMMENDED CLAMP TORQUE OF REF. NO. ⑨ : 0.3 TO 0.4 N · m
- 3 THE CABLE PULL AND TWISTING STRENGTH AND OTHER CHARACTERISTICS MAY DIFFER, DEPENDING ON THE CABLE STRUCTURE. PLEASE CONFIRM BEFORE THE USE.

5	BRASS	TIN PLATING			
4	ZINC ALLOY	MATTE FINISH NICKEL PLATED	9	BRASS	MATTE FINISH NICKEL PLATED JIS B 1111 M2. 6x0.45x8
3	POLYAMIDE	(GRAY)	8	STEEL	BLACK OXIDE TREATMENT
2	PHOSPHOR BRONZE	SILVER PLATING 2 μm min.	7	ZINC ALLOY	MATTE FINISH NICKEL PLATED
1	STAINLESS STEEL		6	POLYVINYLCHLORIDE	(BLACK)
NO.	MATERIAL	FINISH , REMARKS	NO.	MATERIAL	FINISH , REMARKS

UNITS mm	SCALE 1 : 1	COUNT	DESCRIPTION OF REVISIONS	DESIGNED	CHECKED	DATE
HIROSE ELECTRIC CO., LTD.	APPROVED : EJ. KUNII	14. 01. 15	DRAWING NO.	EDC4-008193-71		
	CHECKED : HT. ZENBA	14. 01. 15	PART NO.	HA16PA-3S(71)		
	DESIGNED : HK. NAMAI	14. 01. 15	CODE NO.	CL104-0359-0-71		
	DRAWN : HK. NAMAI	14. 01. 15		1/1		

## X-ON Electronics

Largest Supplier of Electrical and Electronic Components

*Click to view similar products for [XLR Connectors](#) category:*

*Click to view products by [Hirose](#) manufacturer:*

Other Similar products are found below :

[707-0300](#) [PPCB-H](#) [A3F01](#) [A3M01](#) [QGP3F](#) [HA16PRQ-3SE\(71\)](#) [AA3FL](#) [AAA4FWZ](#) [AAA4MWZ](#) [AC3-MIC](#) [AC4-MIC](#) [AC5FPZB](#)  
[AC6AFDZV](#) [D4FB](#) [DE4MW](#) [DHNF-BAG](#) [E3MBAUSW](#) [NA2FP-UW](#) [NA3MP-UW](#) [NC3FBHR1-0](#) [NC3FD-H-0](#) [NC3FK-V](#) [NC3FXY-B](#)  
[NC3MK-V](#) [NC3MXY](#) [NC5FX-HD-B](#) [NC6MSX-BAG](#) [91210071096](#) [SL05](#) [99.265.0400.0](#) [A3F04](#) [AC3FG](#) [AC4-FCP](#) [AC4FPZ](#) [AQG4F](#)  
[2504FP](#) [30-498-2](#) [R6MZ](#) [3FD-H-I](#) [3FD-H-I-\(0\)](#) [3FD-H-I-B](#) [3FD-V-I](#) [3FD-V-I-\(0\)](#) [3FD-V-I-B](#) [3MD-H-I-B](#) [3MD-V-I](#) [3MD-V-I-B](#) [TA01](#)  
[TA3MWX](#) [TA5MLWX](#)