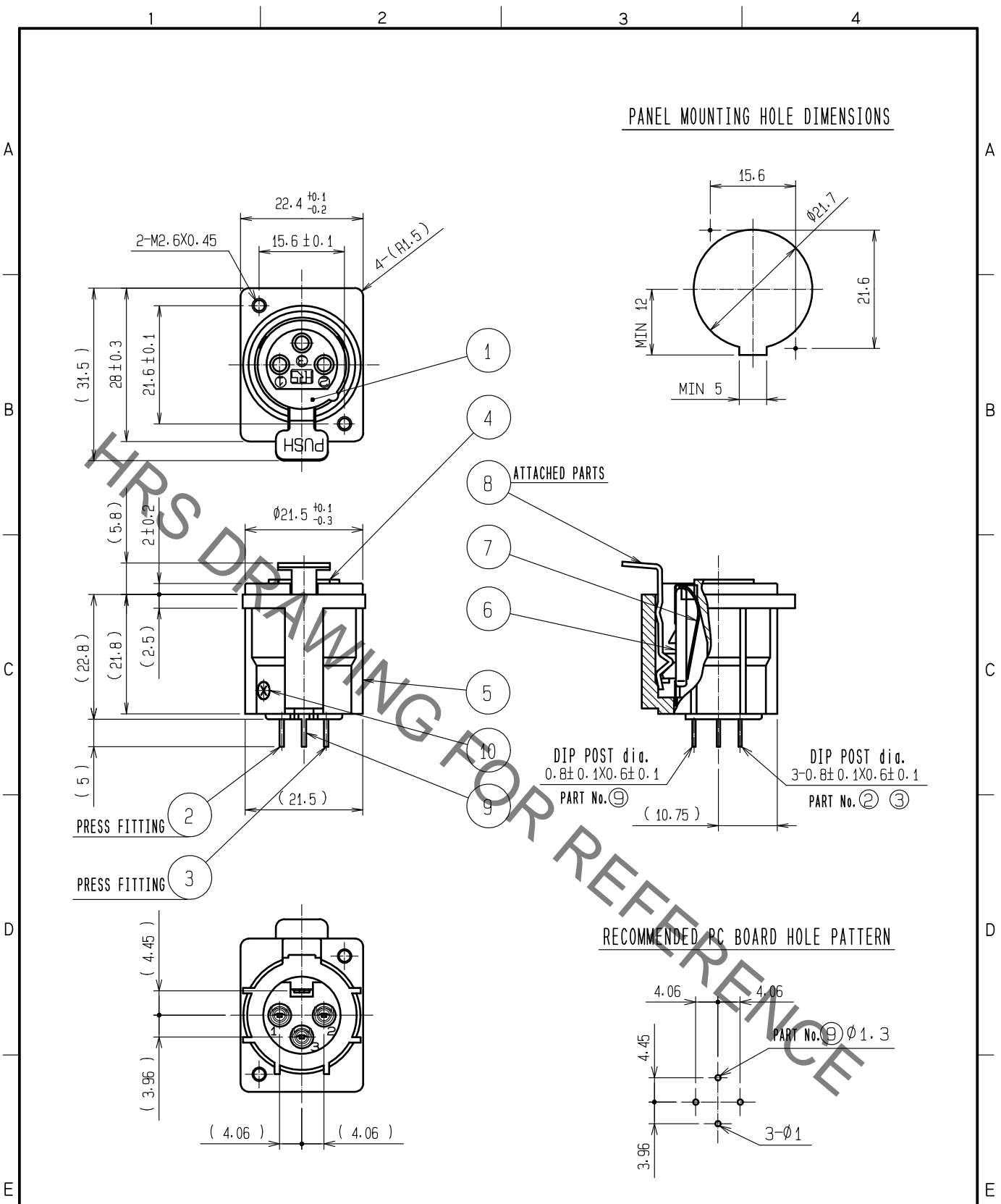


May.1.2021 Copyright 2021 HIROSE ELECTRIC CO., LTD. All Rights Reserved.  
 In case of consideration for using Automotive equipment / device which demand high reliability, kindly contact our sales window correspondents.



6	ZINC ALLOY	NICKEL PLATING			
5	ALUMINUM ALLOY	NICKEL PLATING	10	STEEL	NICKEL PLATING
4	PBT	(BLACK) UL94V-0	9	PHOSPHOR BRONZE	SILVER PLATING
2, 3	COPPER ALLOY	SILVER PLATING 2μm min.	8	IRON	NICKEL PLATING
1	STAINLESS STEEL		7	STEEL	FELLMIGHT
NO.	MATERIAL	FINISH . REMARKS	NO.	MATERIAL	FINISH . REMARKS

UNITS mm		SCALE 1 : 1	COUNT 	DESCRIPTION OF REVISIONS	DESIGNED	CHECKED	DATE
<b>HRS</b> HIROSE ELECTRIC CO., LTD.		APPROVED :EJ. KUNII	18.06.12	DRAWING NO.	EDC-026120-71-71		
		CHECKED :EJ. KUNII	18.06.12	PART NO.	HA16PRM-3SE(71)		
		DESIGNED :SY. KONDO	18.06.12	CODE NO.	CL104-0421-2-71		1/1
		DRAWN :CR. KAMIGA	18.06.12				

## X-ON Electronics

Largest Supplier of Electrical and Electronic Components

*Click to view similar products for [XLR Connectors](#) category:*

*Click to view products by [Hirose](#) manufacturer:*

Other Similar products are found below :

[707-0300](#) [PPCB-H](#) [A3F01](#) [A3M01](#) [QGP3F](#) [HA16PRQ-3SE\(71\)](#) [AA3FL](#) [AAA4FWZ](#) [AAA4MWZ](#) [AC3-MIC](#) [AC4-MIC](#) [AC5FPZB](#)  
[AC6AFDZV](#) [D4FB](#) [DE4MW](#) [DHNF-BAG](#) [E3MBAUSW](#) [NA2FP-UW](#) [NA3MP-UW](#) [NC3FBHR1-0](#) [NC3FD-H-0](#) [NC3FK-V](#) [NC3FXY-B](#)  
[NC3MK-V](#) [NC3MXY](#) [NC5FX-HD-B](#) [NC6MSX-BAG](#) [91210071096](#) [SL05](#) [99.265.0400.0](#) [A3F04](#) [AC3FG](#) [AC4-FCP](#) [AC4FPZ](#) [AQG4F](#)  
[2504FP](#) [30-498-2](#) [R6MZ](#) [3FD-H-I](#) [3FD-H-I-\(0\)](#) [3FD-H-I-B](#) [3FD-V-I](#) [3FD-V-I-\(0\)](#) [3FD-V-I-B](#) [3MD-H-I-B](#) [3MD-V-I](#) [3MD-V-I-B](#) [TA01](#)  
[TA3MWX](#) [TA5MLWX](#)