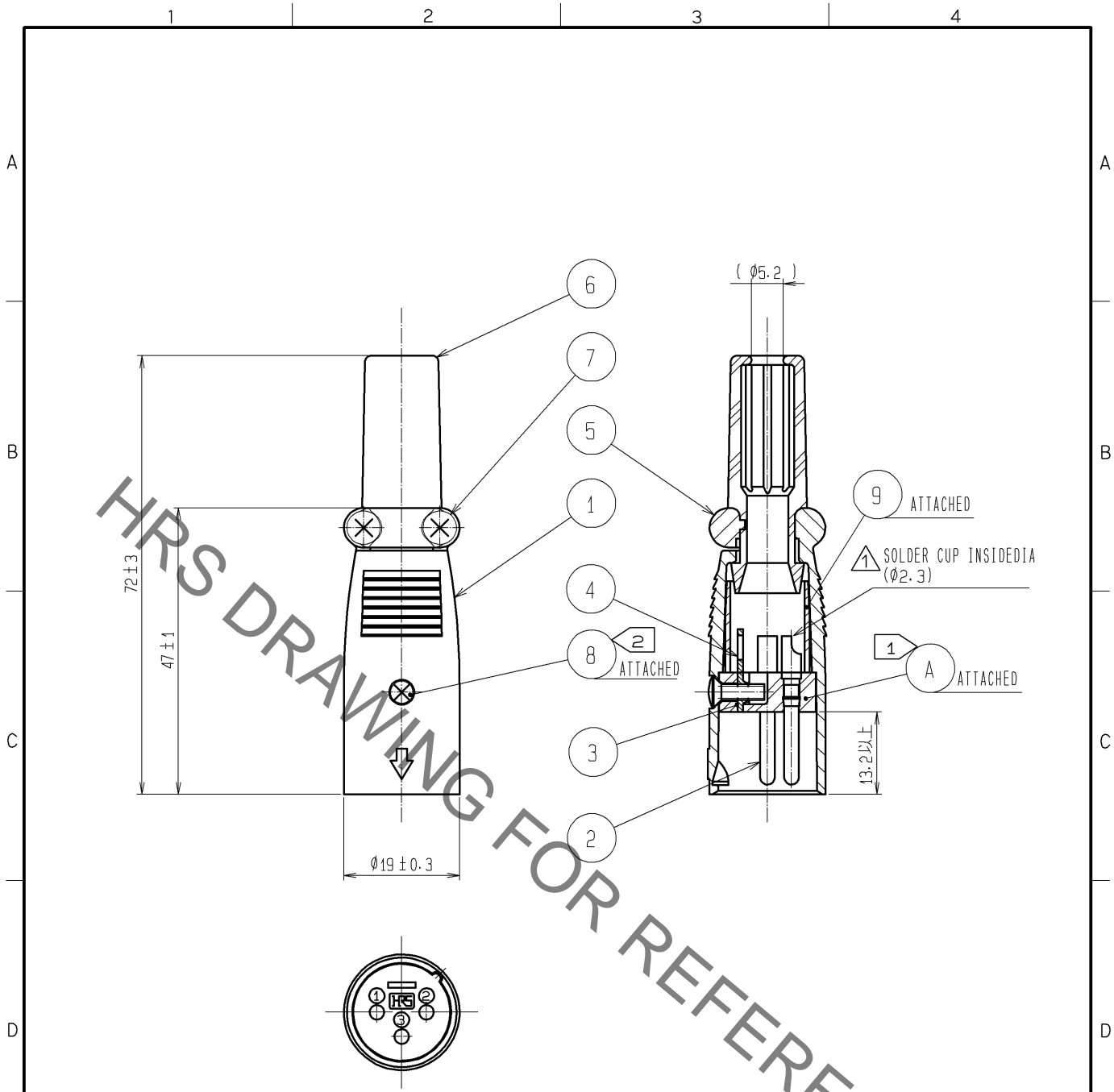


Jun.1.2021 Copyright 2021 HIROSE ELECTRIC CO., LTD. All Rights Reserved.
 In case of consideration for using Automotive equipment / device which demand high reliability, kindly contact our sales window correspondents.



HRS DRAWING FOR REFERENCE

NOTES

- ① SPECIFIES A BLOCK WHICH REF. NO. ② TO NO. ④ ARE INCORPORATED.
- ② THE RECOMMENDED CLAMP TORQUE OF REF. NO. ⑧ TO BE 0.3 TO 0.4 N · m.
- ③ THE CABLE PULL AND TWISTING STRENGTH AND OTHER CHARACTERISTICS MAY DIFFER, DEPENDING ON THE CABLE STRUCTURE. PLEASE CONFIRM BEFORE THE USE.

NO.	MATERIAL	FINISH	REMARKS	NO.	MATERIAL	FINISH	REMARKS
5	ZINC ALLOY		MATTE FINISH NICKEL PLATED				
4	BRASS		SILVER PLATING	9	POLYVINYLCHLORIDE	(BLACK)	UL94V-0
3	POLYAMIDE		(GRAY)	8	STEEL	NICKEL PLATING	M2.6×0.45×8
2	BRASS		SILVER PLATING 2μm min.	7	BRASS	NICKEL PLATING	M3×0.5×8
1	ZINC ALLOY		MATTE FINISH NICKEL PLATED	6	CHLOROPRENE RUBBER	(BLACK)	

UNITS mm		SCALE 1 : 1	COUNT 1	DESCRIPTION OF REVISIONS DIS-C-002111	DESIGNED TY. SUZUKI	CHECKED HY. KISHI	DATE 11. 03. 22
-------------	--	----------------	------------	--	------------------------	----------------------	--------------------

HRS HIROSE ELECTRIC CO., LTD.	APPROVED : SU. OBARA	10. 03. 29	DRAWING NO.	EDC4-024099-76
	CHECKED : HY. KISHI	10. 03. 27	PART NO.	HA216J-3P(76)
	DESIGNED : MM. ISHII	10. 03. 27	CODE NO.	CL104-0704-7-76
	DRAWN : MM. ISHII	10. 03. 27		

X-ON Electronics

Largest Supplier of Electrical and Electronic Components

Click to view similar products for [XLR Connectors](#) category:

Click to view products by [Hirose](#) manufacturer:

Other Similar products are found below :

[707-0300](#) [8800235](#) [91101181024](#) [PPCB-H](#) [A3F01](#) [A3M01](#) [QGP3F](#) [HA16PRQ-3SE\(71\)](#) [AA3FL](#) [AAA4FWZ](#) [AAA4MWZ](#) [AC3-MIC](#) [AC4-MIC](#) [AC5FPZB](#) [AC6AFDZV](#) [D4FB](#) [DE4MW](#) [DHNF-BAG](#) [E3MBAUSW](#) [NA2FP-UW](#) [NA3MP-UW](#) [NC3FBHR1-0](#) [NC3FD-H-0](#) [NC3FK-V](#) [NC3FXY-B](#) [NC3MK-V](#) [NC3MXY](#) [NC5FX-HD-B](#) [NC6MSX-BAG](#) [91210071096](#) [SL05](#) [99.265.0400.0](#) [A3F04](#) [AC3FG](#) [AC4-FCP](#) [AC4FPZ](#) [AQG4F](#) [2504FP](#) [30-498-2](#) [R6MZ](#) [3FD-H-I](#) [3FD-H-I-\(0\)](#) [3FD-H-I-B](#) [3FD-V-I](#) [3FD-V-I-\(0\)](#) [3FD-V-I-B](#) [3MD-H-I-B](#) [3MD-V-I](#) [3MD-V-I-B](#) [TA01](#)