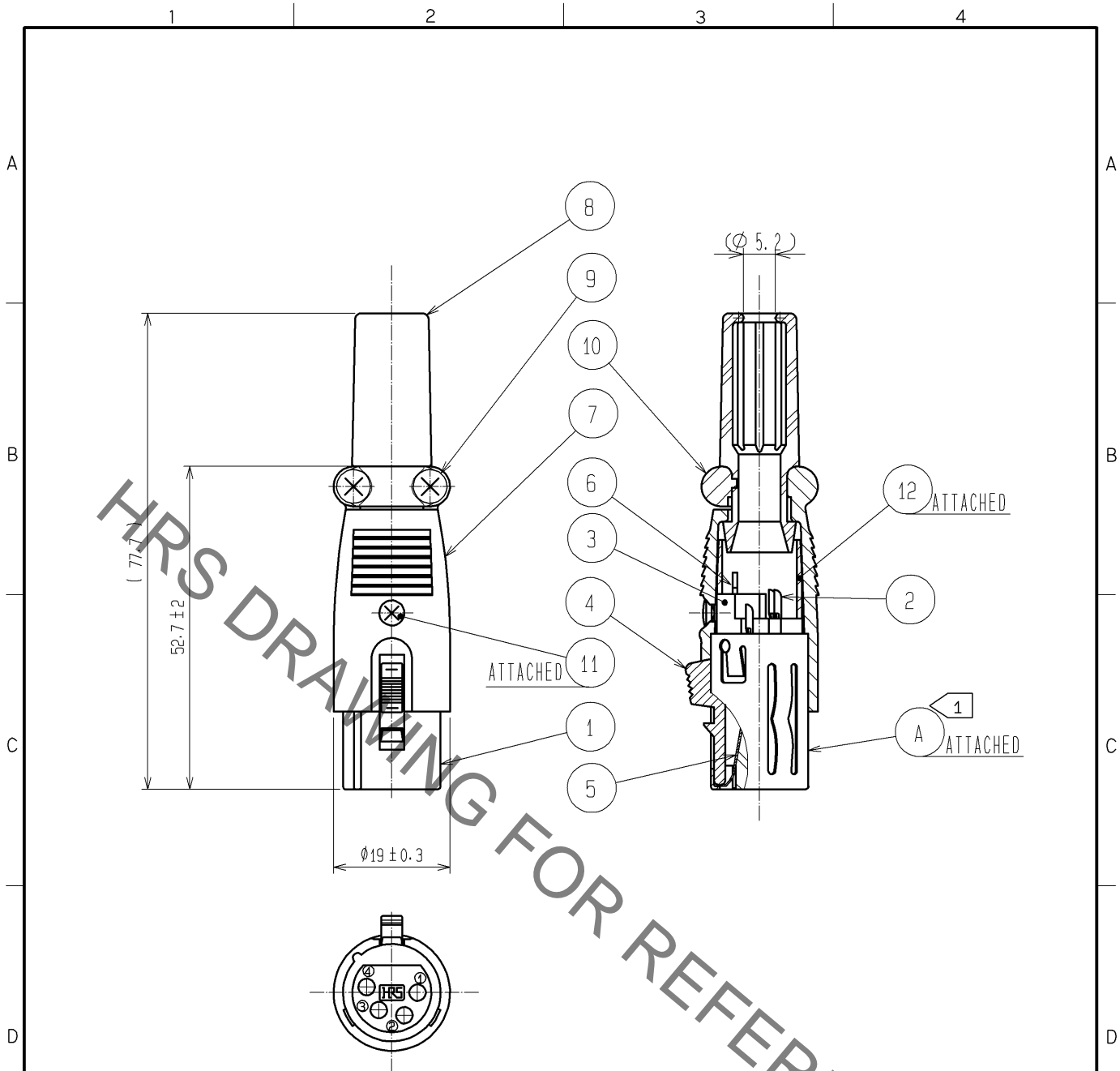


Jun.1.2021 Copyright 2021 HIROSE ELECTRIC CO., LTD. All Rights Reserved.
 In case of consideration for using Automotive equipment / device which demand high reliability, kindly contact our sales window correspondents.



NOTES ① (A) SPECIFIES A BLOCK WHICH REF. NO. ① TO NO. ⑥ ARE INCORPORATED.
 2 THE CABLE PULL AND TWISTING STRENGTH AND OTHER CHARACTERISTICS MAY DIFFER, DEPENDING ON THE CABLE STRUCTURE. PLEASE CONFIRM BEFORE THE USE.

6	BRASS	SILVER PLATING	12	PVC	(BLACK)
5	SPRING STEEL	BLACK OXIDE COATING	11	STEEL	NICKEL PLATING M2.6x0.45x8
4	ZINC ALLOY	MATTE FINISH NICKEL PLATED	10	ZINC ALLOY	MATTE FINISH NICKEL PLATED
3	POLYAMIDE	(GRAY)	9	BRASS	NICKEL PLATING M3x0.5x8
2	PHOSPHOR BRONZE	SILVER PLATING 2μm min.	8	CHLOROPRENE RUBBER	(BLACK)
1	STAINLESS STEEL		7	ZINC ALLOY	MATTE FINISH NICKEL PLATED
NO.	MATERIAL	FINISH . REMARKS	NO.	MATERIAL	FINISH . REMARKS

UNITS mm	SCALE 1 : 1	COUNT	DESCRIPTION OF REVISIONS	DESIGNED	CHECKED	DATE
HIROSE ELECTRIC CO., LTD.	APPROVED : MO. SATOH	09.03.11	DRAWING NO.	EDC4-021269-71		
	CHECKED : TH. KAMEYA	09.03.11	PART NO.	HA216P-4S(71)		
	DESIGNED : HK. NAMAI	09.03.10	CODE NO.	CL104-0702-1-71		
	DRAWN : HK. NAMAI	09.03.10		1/1		

X-ON Electronics

Largest Supplier of Electrical and Electronic Components

Click to view similar products for [XLR Connectors](#) category:

Click to view products by [Hirose](#) manufacturer:

Other Similar products are found below :

[707-0300](#) [8800235](#) [91101181024](#) [PPCB-H](#) [A3F01](#) [A3M01](#) [QGP3F](#) [HA16PRQ-3SE\(71\)](#) [AA3FL](#) [AAA4FWZ](#) [AAA4MWZ](#) [AC3-MIC](#) [AC4-MIC](#) [AC5FPZB](#) [AC6AFDZV](#) [D4FB](#) [DE4MW](#) [DHNFBAG](#) [E3MBAUSW](#) [NA2FP-UW](#) [NA3MP-UW](#) [NC3FBHR1-0](#) [NC3FD-H-0](#) [NC3FK-V](#) [NC3FXY-B](#) [NC3MK-V](#) [NC3MXY](#) [NC5FX-HD-B](#) [NC6MSX-BAG](#) [91210071096](#) [SL05](#) [99.265.0400.0](#) [A3F04](#) [AC3FG](#) [AC4-FCP](#) [AC4FPZ](#) [AQG4F](#) [2504FP](#) [30-498-2](#) [R6MZ](#) [3FD-H-I](#) [3FD-H-I-\(0\)](#) [3FD-H-I-B](#) [3FD-V-I](#) [3FD-V-I-\(0\)](#) [3FD-V-I-B](#) [3MD-H-I-B](#) [3MD-V-I](#) [3MD-V-I-B](#) [TA01](#)