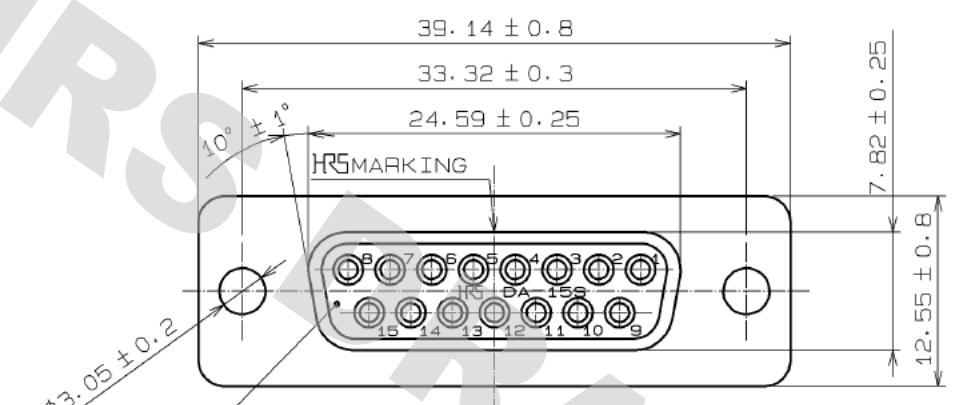
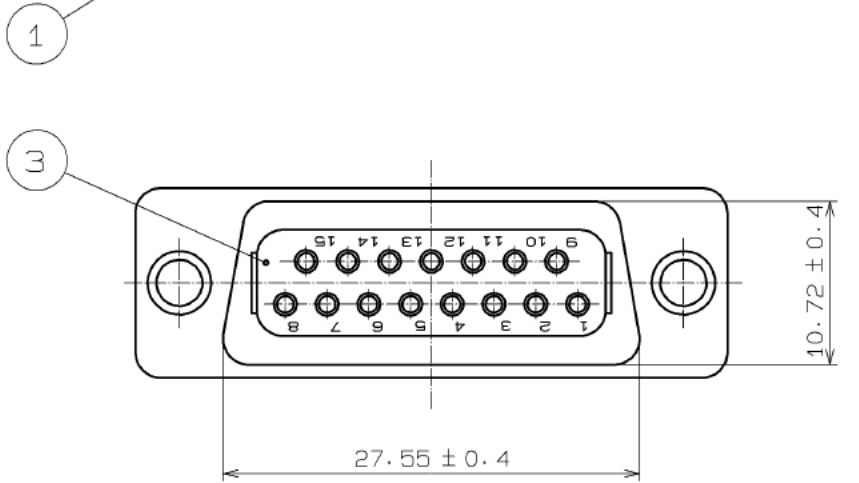
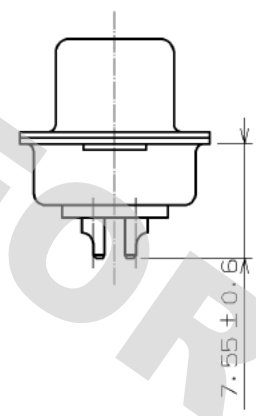
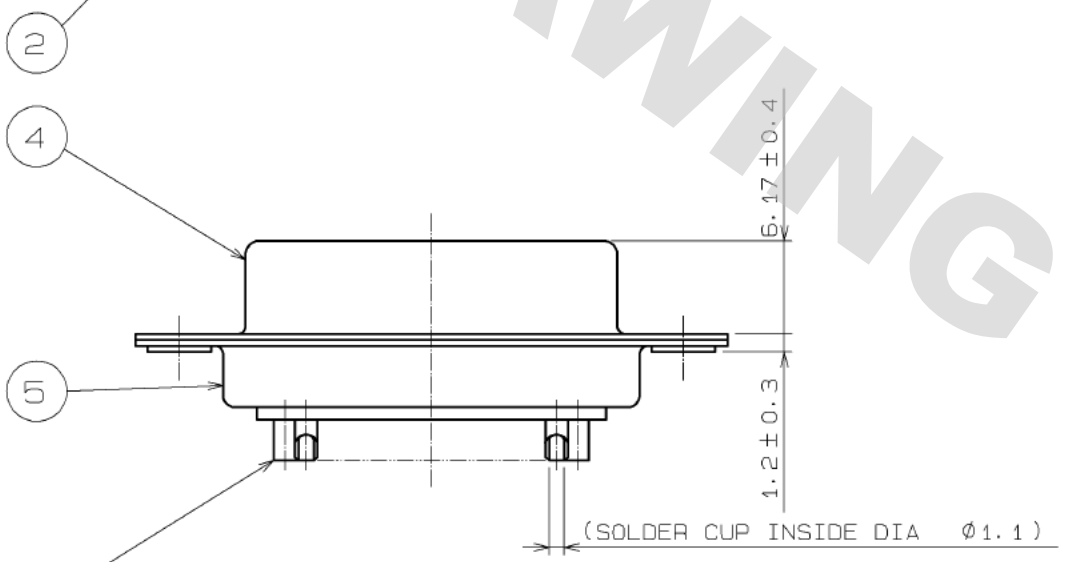
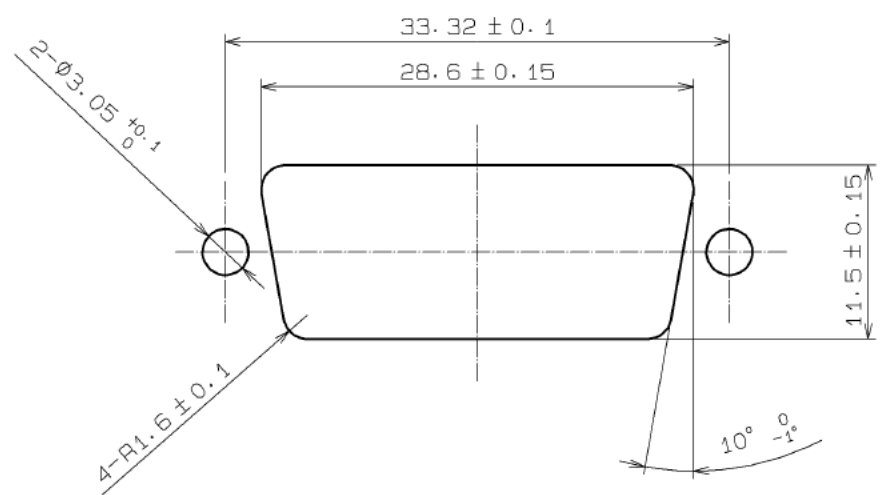


DRAWING FOR REFERENCE: This is subject to change without notice  
05/31/2013



PANEL CUTOUT



NOTE 1. SOLDERING SHALL BE DONE WITH SOLDERING BIT OF 40W MAX WITHIN 4 SEC.  
2 CONTACT AREA : GOLD PLATING 0.5µm MIN  
TERMINAL AREA : GOLD PLATING 0.03µm MIN  
UNDER PLATING : NICKEL PLATING 1.27µm MIN

3	PBT	BLACK, UL94V-0	5	STEEL	OVER PLATING : NICKEL 1µm min. UNDER PLATING : COPPER 5µm min.			
2	PBT	BLACK, UL94V-0	4	STEEL	OVER PLATING : NICKEL 1µm min. UNDER PLATING : COPPER 5µm min.			
1	PHOSPHOR BRONZE	2						
NO.	MATERIAL	FINISH . REMARKS	NO.	MATERIAL	FINISH . REMARKS			
UNITS	mm	SCALE	2 : 1	COUNT	DESCRIPTION OF REVISIONS	DESIGNED	CHECKED	DATE
<b>HRS</b> HIROSE ELECTRIC CO., LTD.		APPROVED : RI. TAKAYASU	13.01.31	DRAWING NO. EDC3-009504-01				
		CHECKED : EJ. WAKATSUKI	13.01.31	PART NO. HDAB-15S(57)				
		DESIGNED : TS. ITO	13.01.31	CODE NO. CL211-0235-4-57				
		DRAWN : TY. ITO	13.01.31					

## X-ON Electronics

Largest Supplier of Electrical and Electronic Components

*Click to view similar products for [D-Sub Standard Connectors](#) category:*

*Click to view products by [Hirose](#) manufacturer:*

Other Similar products are found below :

[56F706-005-LI](#) [56F711-015](#) [LV242999-142T12](#) [015-0341-000](#) [015-0372-005](#) [015-0372-008](#) [015-8755-001](#) [020419-0104](#) [012-0467-000](#)  
[012-9507-034](#) [012-9507-114](#) [020745-0008](#) [609-25P](#) [CT2-18-11PCAU](#) [CT6-10SL-3SC](#) [CT6-10SL-4SC](#) [CT6-14S-2SC](#) [CT6E14SA7SC](#)  
[CT6N10SL-4SSA34](#) [M83513/01-FC](#) [M83723/76W24619 L/C](#) [M85049/48-3-2F](#) [6STD09PCM99B70X](#) [6STD09SCM99B30X](#)  
[6STD09SCT99S40X](#) [6STD15PCT99S40X](#) [6STD15SCT99S40X](#) [6STF09PCM05B70X](#) [7-135760-9](#) [MC11E-10-6SN](#) [747552-3](#) [MD1-21PS](#)  
[MDM-15SCBRM7-F222](#) [MDM96517-699](#) [MDM96521-744](#) [MDVB1-21SL1](#) [MIK0-1-7SH003](#) [MIKQ6-7SH076](#) [MIKQ7-7PH077](#) [MIKQ7-](#)  
[7PH11](#) [MIKQ7-7PH32](#) [MJSV-28SL61](#) [MKJ4A1F14-55S](#) [8-135760-3](#) [8STD09PCM99B30X](#) [PG-KV/PV-16-GROM-SEALING](#) [GDA15P](#)  
[GDAY15PB](#) [980-0000-170](#) [980-0000-171](#)