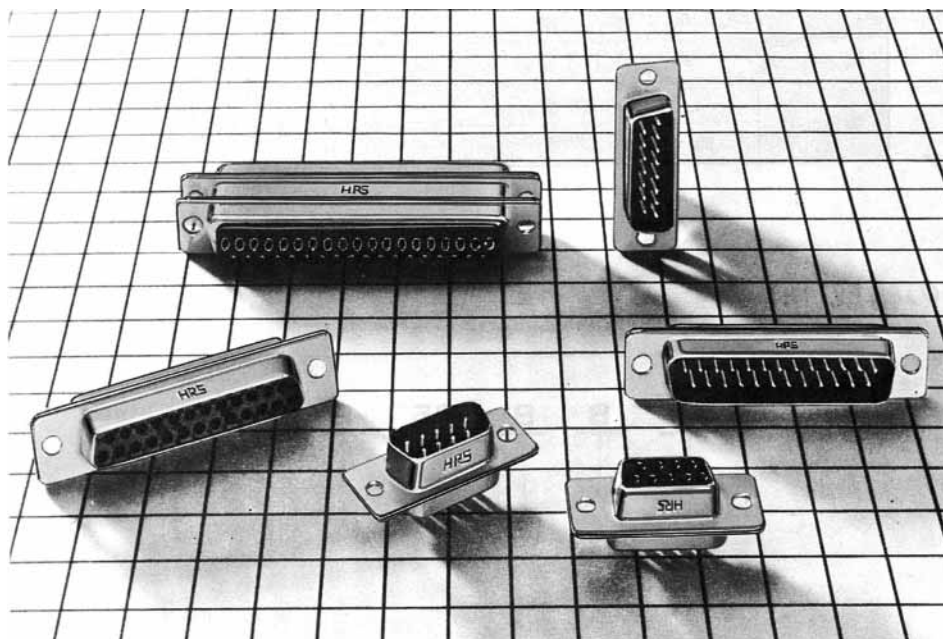


HD SERIES SOLDER TYPE D SUBMINIATURE CONNECTOR

General

H D Series subminiature connectors with stamped contacts are easy to solder to a wide variety of stranded and single conductor cables. 9, 15, 25, 37 and 50-contact models available.



Features

- (1) Compact and sturdy due to metal shell.
- (2) Large solder cup enables use of wire up to 20 AWG.
- (3) Glass filled P.B.T. resin insulator offers excellent resistance to heat and chemicals.
- (4) Available in various plug cases such as CTF and CTH. A wide variety of combinations available, such as straight dipping (SD), right angle dipping (RD), crimping (CD), and ribbon IDC termination (FD).

Application

Computers, peripherals and terminals, control equipment, radio equipment, and measuring instruments.

Electrical and Environmental

Electrical and Environmental Characteristics	
Current capacity	3A
Rated voltage	400V AC
Insulation resistance	5000mΩ min. at 500V DC
Contact resistance	7mΩ max. at 100mA DC
Withstand voltage	1250Vrms AC for 1 minute

Material and finish		
Shell	Steel	Nickel plating
Insulator	PBT (GE Valox)	Black
Contact	Male	Copper alloy
	Female	Phosphor bronze
		Selective Gold + Nickel

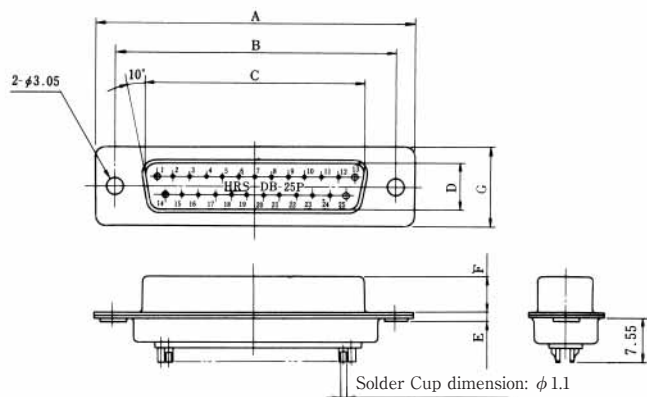
Ordering Informations

HD B B — 25 P F (05)
 (1) (2) (3) (4) (5) (6) (7)

- (1) Model number symbol HD: D sub-soldering type
- (2) Shell size: E, A, B, C and D
- (3) Serial symbols by type of connector unit:
- (4) Number of poles: 9, 15, 25, 37 and 50
- (5) Terminal opening shape symbol
 P: male terminal
 S: female terminal
- (6) F: shell dimple machined
- (7) Specification contents
 (05): Shell: Nickel plating
 Termination of contact: Nickel plating+gold flash plating



HDBB-25P (05)

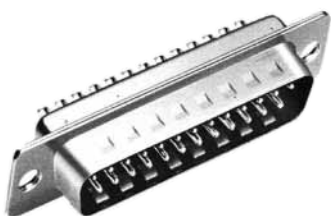


Note 1: Soldering should be made within 4 seconds using a soldering iron of 40 W or less.

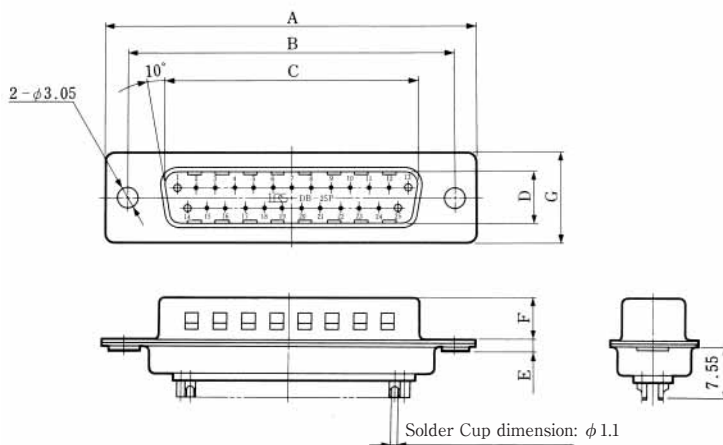
Note 2: The figure shows a 25-contact model (HDBB-25P (05))

Unit: mm

HRS No	No. of pin	Part No.	A	B	C	D	E	F	G	RoHS
CL211-0232-6-05	9	HDEB-9P (05)	30.81	24.99	16.9	8.34	1.2	5.99	12.55	YES
CL211-0234-1-05	15	HDAB-15P (05)	39.14	33.32	25.24	8.34	1.2	5.99	12.55	
CL211-0215-7-05	25	HDBB-25P (05)	53.04	47.04	39.01	8.4	1.3	5.87	12.55	
CL211-0236-7-05	37	HDCB-37P (05)	69.32	63.5	55.47	8.4	1.4	5.87	12.55	
CL211-0393-5-05	50	HDDB-50P (05)	66.93	61.11	52.85	11.13	1.5	5.87	15.37	



HDBB-25PF (05)



Note 1: Soldering should be made within 4 seconds using a soldering iron of 40 W or less.

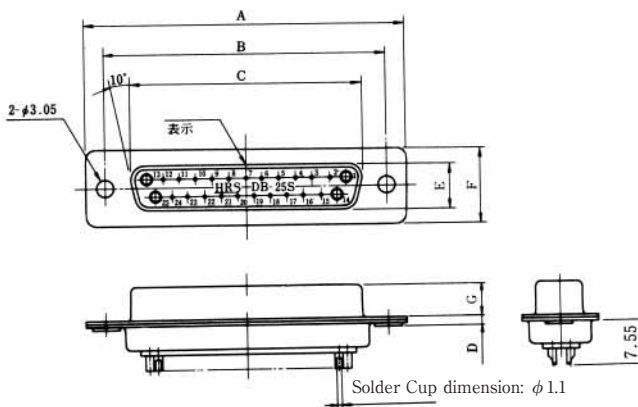
Note 2: The figure shows a 25-contact model (HDBB-25PF (05))

Unit: mm

HRS No	No. of pin	Part No.	A	B	C	D	E	F	G	RoHS
CL211-0566-1-05	9	HDEB-9PF (05)	30.81	24.99	16.9	8.34	1.2	5.99	12.55	YES
CL211-0563-3-05	15	HDAB-15PF (05)	39.14	33.32	25.24	8.34	1.2	5.99		
CL211-0564-6-05	25	HDBB-25PF (05)	53.04	47.04	39.01	8.4	1.3	5.87		
CL211-0567-4-05	37	HDCB-37PF (05)	69.32	63.5	55.47	8.4	1.4	5.87		



HDBB-25S (05)



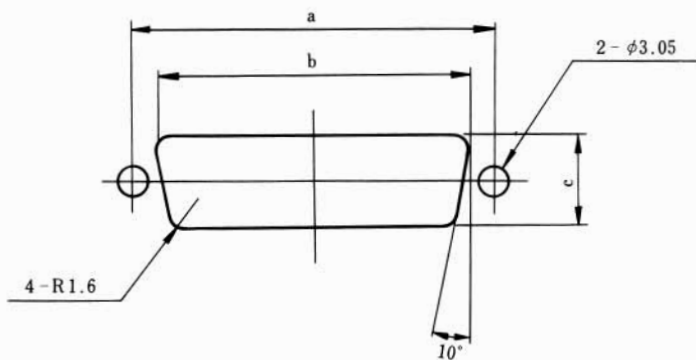
Note 1: Soldering should be made within 4 seconds using a soldering iron of 40 W or less.

Note 2: The figure shows a 25-contact model (HDBB-25S (05))

Unit: mm

HRS No	No of pin	Part No.	A	B	C	D	E	F	G	RoHS
CL211-0233-9-05	9	HDEB-9S (05)	30.81	24.99	16.4	1.2	7.82	12.55	6.17	YES
CL211-0235-4-05	15	HDAB-15S (05)	39.14	33.32	24.59	1.2	7.82	12.55	6.17	
CL211-0216-0-05	25	HDBB-25S (05)	53.04	47.04	38.3	1.2	7.82	12.55	6.17	
CL211-0237-0-05	37	HDCB-37S (05)	69.32	63.5	54.76	1.2	7.82	12.55	6.17	
CL211-0394-8-05	50	HDDB-50S (05)	66.93	61.11	52.35	1.2	10.63	15.37	6.17	

Mounting Cutout



Unit: mm

Shell Size	a	b	c
E	24.99	20.2	11.5
A	33.32	28.6	11.5
B	47.04	42.3	11.5
C	63.5	58.7	11.5
D	61.11	56	14.3

X-ON Electronics

Largest Supplier of Electrical and Electronic Components

Click to view similar products for [D-Sub Backshells](#) category:

Click to view products by [Hirose](#) manufacturer:

Other Similar products are found below :

[600X54009X](#) [600X56025X](#) [M85049/86-12N03](#) [70.350.0636.4](#) [70.350.2435.1](#) [72.350.1035.2](#) [73.359.4035.3](#) [829472-1](#) [PCS-E20W](#) [970-015-040R011](#) [971-009-040R011](#) [DD19678-4](#) [DD-C4-J13-S1](#) [DPH-B-003](#) [165X02659X](#) [165X10899X](#) [165X11689X](#) [165X13169X](#) [165X13449X](#) [165X14219X](#) [165X14449X](#) [L171373](#) [971-037-040R011](#) [300X11139X](#) [975T025-020R121](#) [165X00809X](#) [165X11629XE](#) [165X17189X](#) [165X17559X](#) [300X10179X](#) [500-047M37H](#) [500E012J37H](#) [500S010M37H09](#) [500S010M51H10](#) [500T010E15B07](#) [500T010J09H05](#) [500T010J21H08](#) [500T010M09B07](#) [500T010M09F08B](#) [500T010M15E08B](#) [500T010M15F05B](#) [500T010M15H08L](#) [500T010M69H10](#) [500T010NF51H10](#) [557-083B1](#) [557B316M535TB8](#) [557E316M432TB](#) [557E316M536TB6](#) [557S283NF1A05](#) [557T071NF131SB](#)