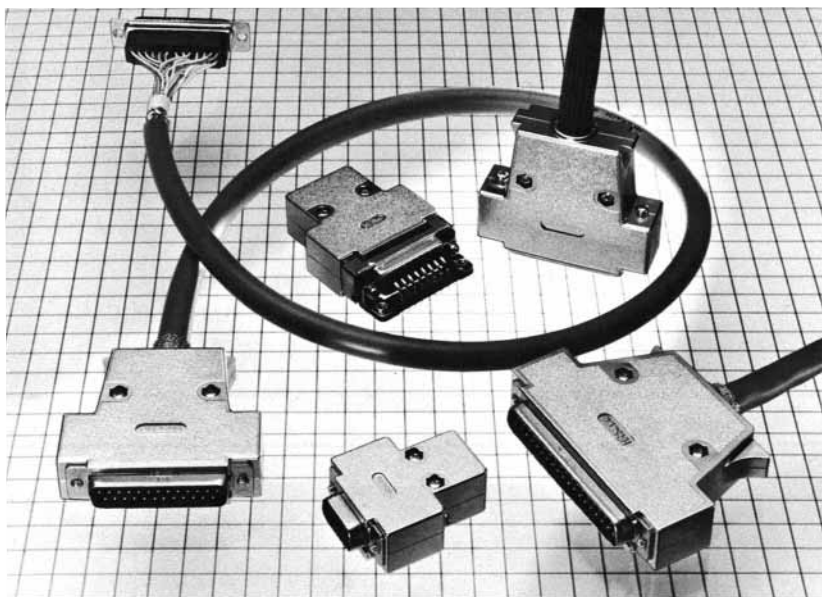


# CTH SERIES METALIZED PLASTIC “D” SUBMINIATURE SHELL

## General

The HIROSE "CTH" plug cases are made of plated plastic for achieve high shielding effectiveness. 9, 15, 25 and 37-contact models are available. Suitable for

protecting the interfaces between units from electro-magnetic interference.



## Features

- (1) Standard screw type locking mechanism provides a strong and secure lock.
- (2) Plated ABS resin enable shell to be lightweight and strong with excellent shielding characteristics (ABS resin UL94HB/plating UL746C)
- (3) Enhanced shielding effectiveness by clamping the cable shielding part with two types of clamps sandwiched between the plug cases.
- (4) The clamp has a screw to ground the drain wire. Can easily in corporate soldering (HD), ribbon cable type (FD) and crimping (CD).

## Applications

Computers, peripherals and terminals, control equipment, and measuring instruments.

## Material and Finish

Parts	Materials	Finish
Plug Case	ABS	Chrome plated over nickel plated

## Ordering Informations

### Plug Case

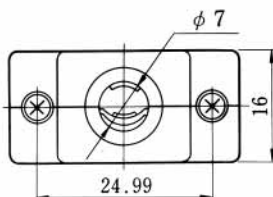
H D
B
-
C T
H
1
(4-40)
(10)

(1)
(2)
(3)
(4)
(5)
(6)

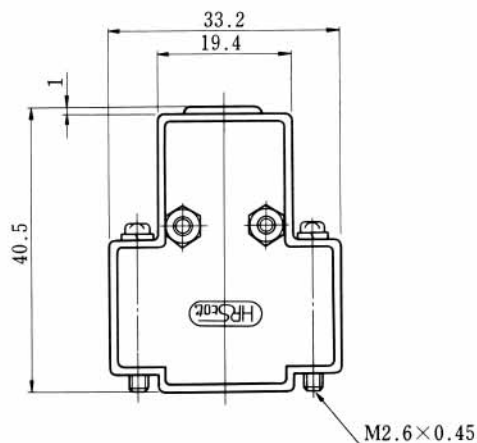
- (1) Series Name
- (2) Connector size: E (9 contacts), A (15 contacts), B (25 contacts), C (37 contacts)  
 Note: Not available for 50pos. cover.
- (3) Type of plug case  
 CT: With vertical cable inlet opening
- (4) Serial sign for series  
 H: Plug case made of plated plastic
- (5) No sign: Lock screw to be driven with screwdriver  
 1: Hand-driven lock screw
- (6) No sign: M2.6  
 (4-40): Inch



HDE-CTH (10)

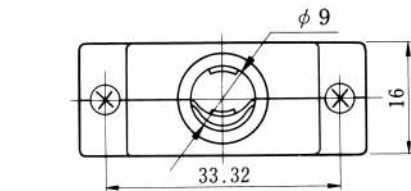


HRS No	Part No.	RoHS
CL211-0276-1-10	HDE-CTH (10)	YES
CL211-0309-9-10	HDE-CTH (4-40) (10)	
CL211-0621-8-10	HDE-CTH1 (10)	
CL211-0865-2-10	HDE-CTH1 (4-40) (10)	

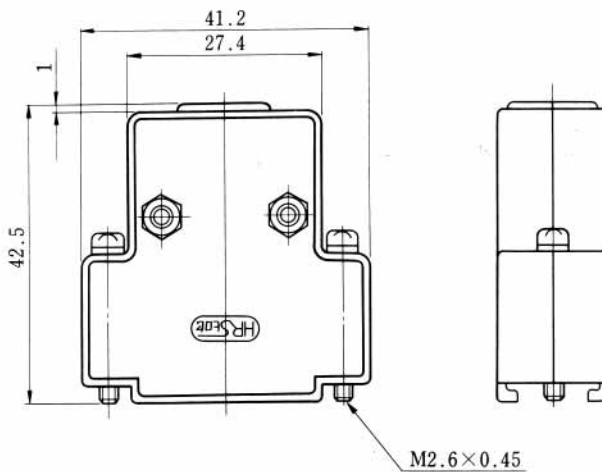




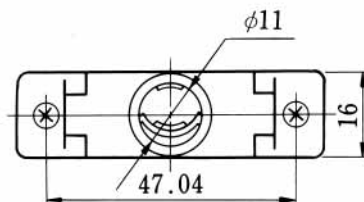
HDA-CTH (10)



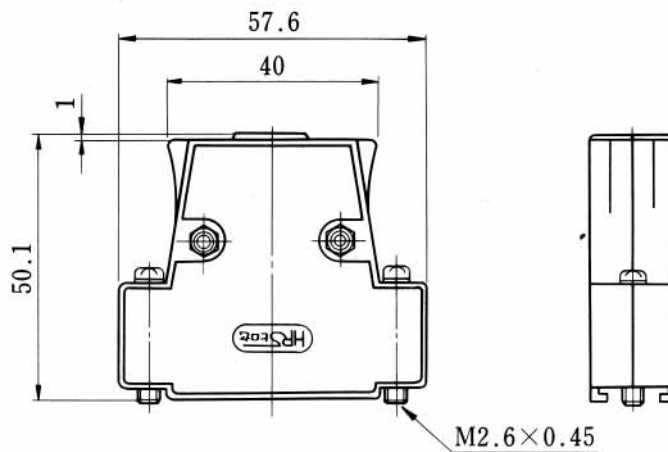
HRS No	Part No.	RoHS
CL211-0277-4-10	HDA-CTH (10)	YES
CL211-0346-5-10	HDA-CTH (4-40) (10)	
CL211-0622-0-10	HDA-CTH1 (10)	
CL211-0882-1-10	HDA-CTH1 (4-40) (10)	



HDB-CTH (10)

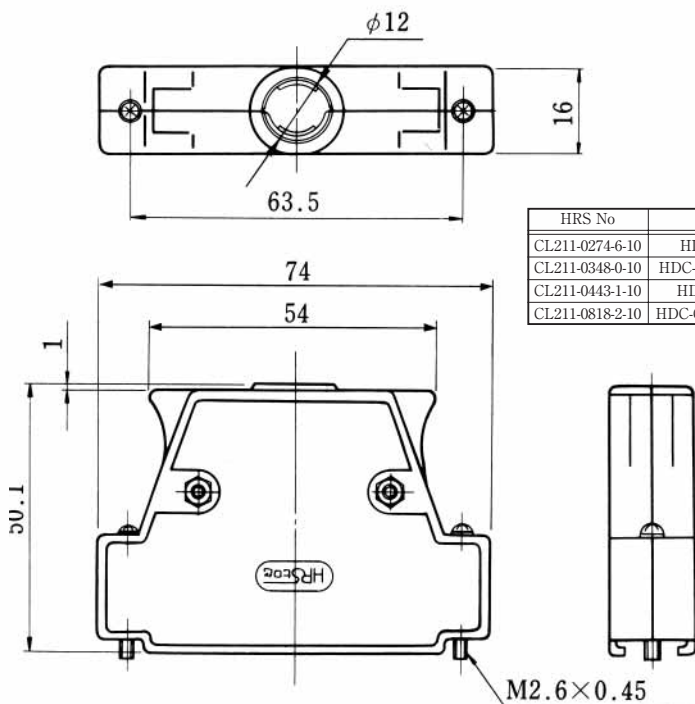


HRS No	Part No.	RoHS
CL211-0278-7-10	HDB-CTH (10)	YES
CL211-0347-8-10	HDB-CTH (4-40) (10)	
CL211-0306-0-10	HDB-CTH1 (10)	
CL211-0532-0-10	HDB-CTH1 (4-40) (10)	



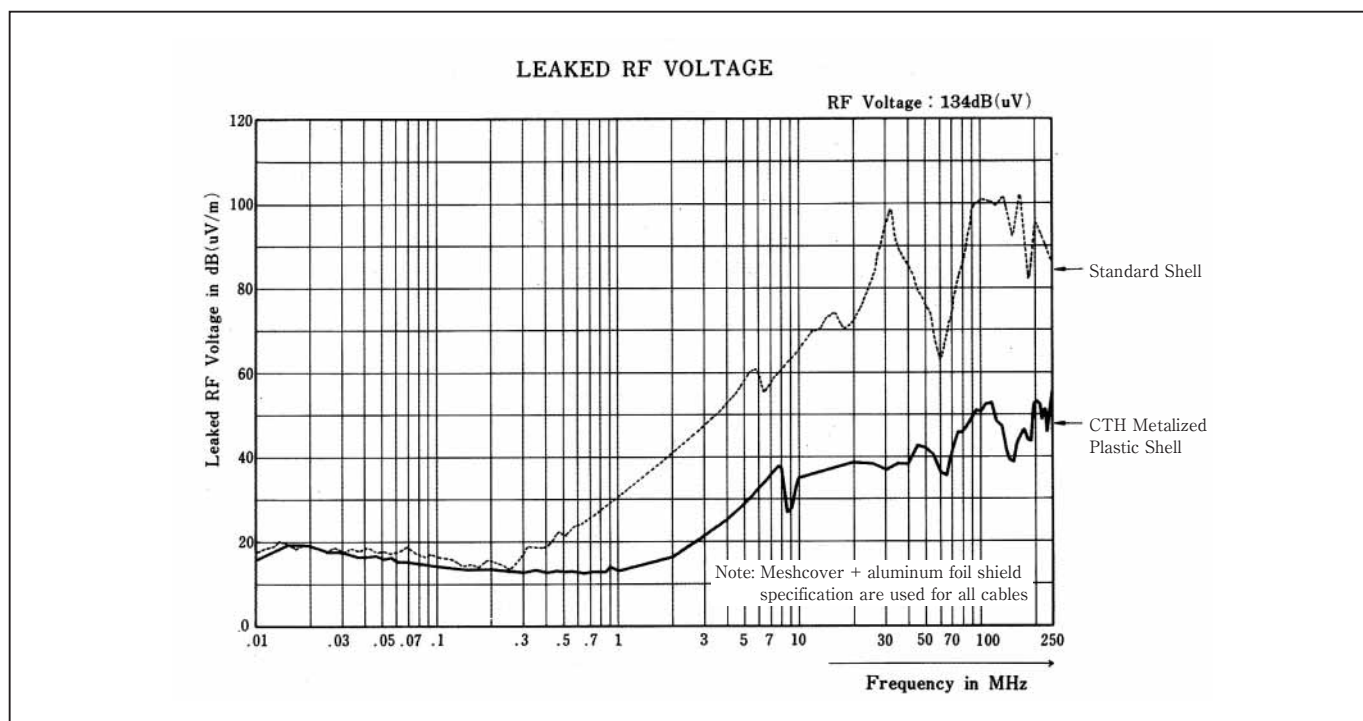


HDE-CTH (10)

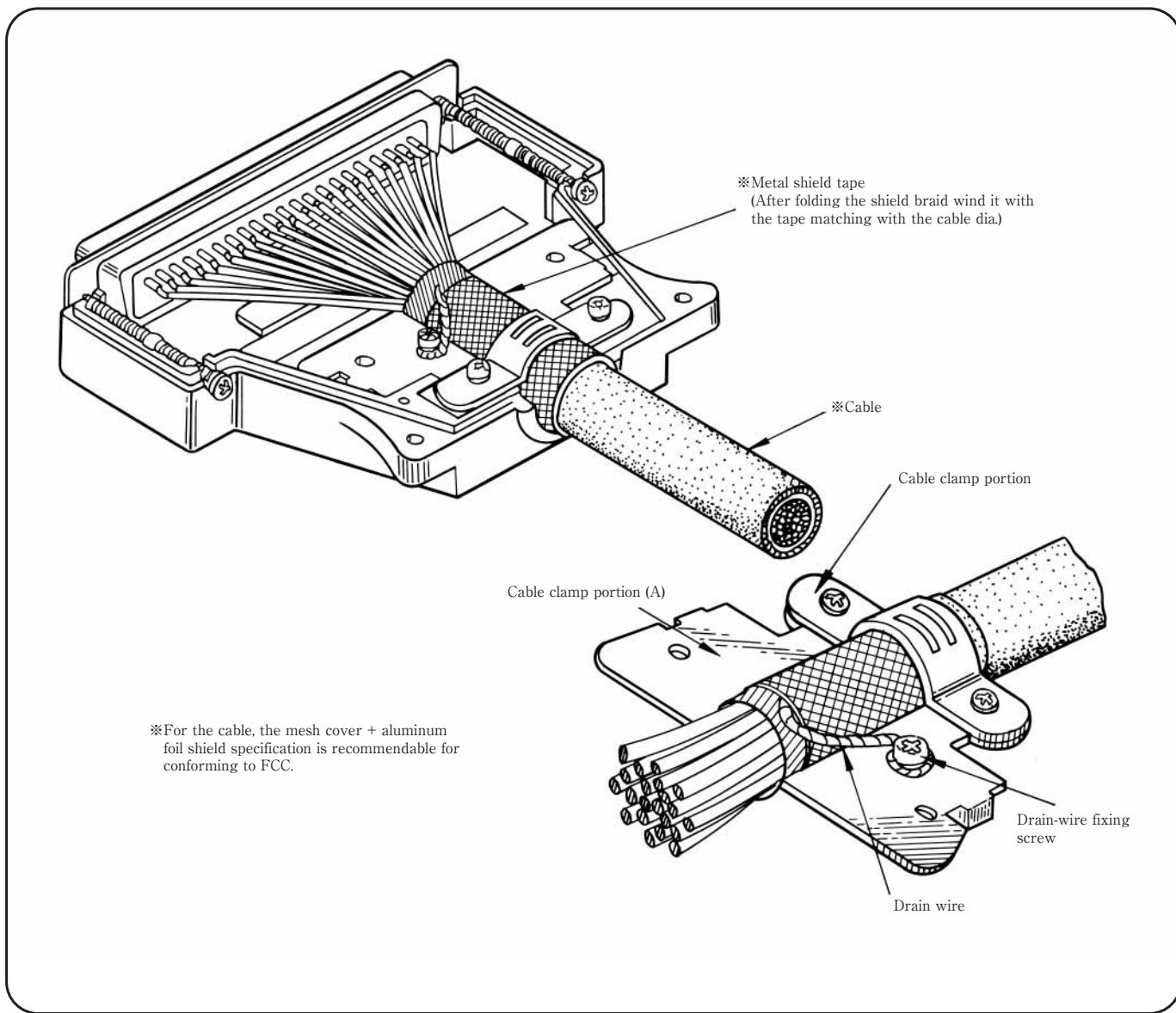


HRS No	Part No.	RoHS
CL211-0274-6-10	HDC-CTH (10)	YES
CL211-0348-0-10	HDC-CTH (4-40) (10)	
CL211-0443-1-10	HDC-CTH1 (10)	
CL211-0818-2-10	HDC-CTH1 (4-40) (10)	

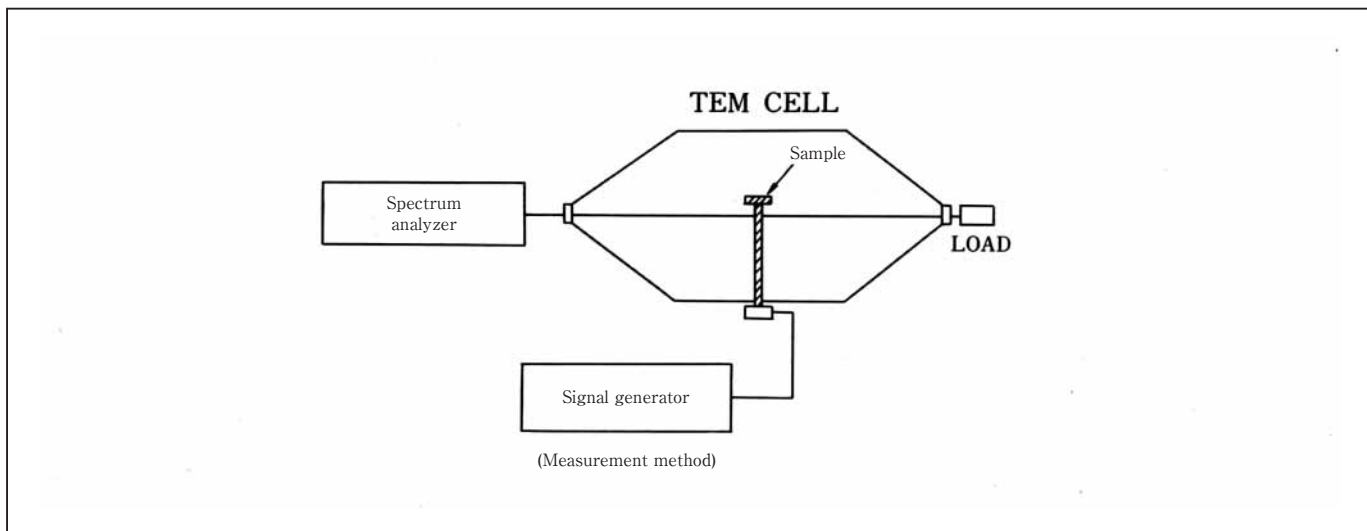
## Shielding Characteristics



## Metalized Plastic Shell Assembling Method



## EMI Test Method



## X-ON Electronics

Largest Supplier of Electrical and Electronic Components

*Click to view similar products for [Cable Mounting & Accessories](#) category:*

*Click to view products by [Hirose](#) manufacturer:*

Other Similar products are found below :

[HP-4N](#) [582603-1](#) [009333-000](#) [727844N003](#) [809090N001](#) [8109](#) [843188-000](#) [843459N001](#) [843460N003](#) [8666](#) [967279N002](#) [GPQC1/0](#) [DB-](#)  
[11](#) [1300830208](#) [1300840039](#) [1300900026](#) [1300990052](#) [1301740005](#) [1301800121](#) [1301800416](#) [1300830184](#) [1300990149](#) [1301580036](#)  
[1301720103](#) [1301720135](#) [1301720152](#) [1301720157](#) [1301740009](#) [1301770011](#) [1301850553](#) [1301860939](#) [1302000074](#) [1302264431](#)  
[1337706-2](#) [APA18-AK](#) [MTX6UTPSRC-C](#) [1-787307-1](#) [185491N001](#) [HP-6N](#) [C-202-C](#) [202C221-13-0](#) [OMTM-S10-C0](#) [205339-4](#) [CA7308-](#)  
[000](#) [8S23-75FR-CS8184](#) [2684](#) [9648](#) [3089](#) [988382-000](#) [A0270164](#)