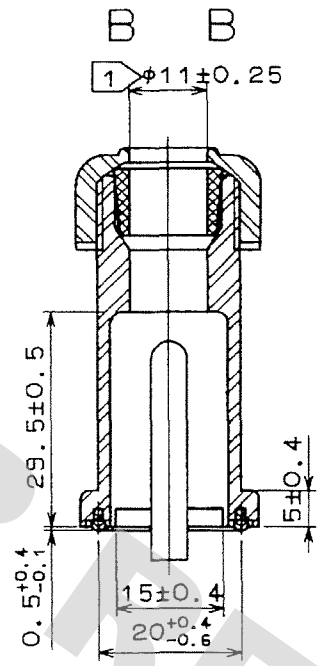
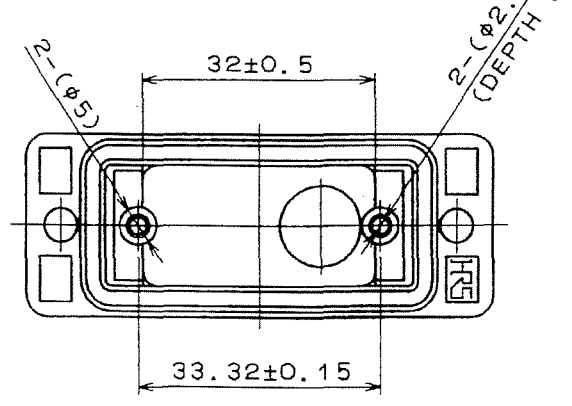
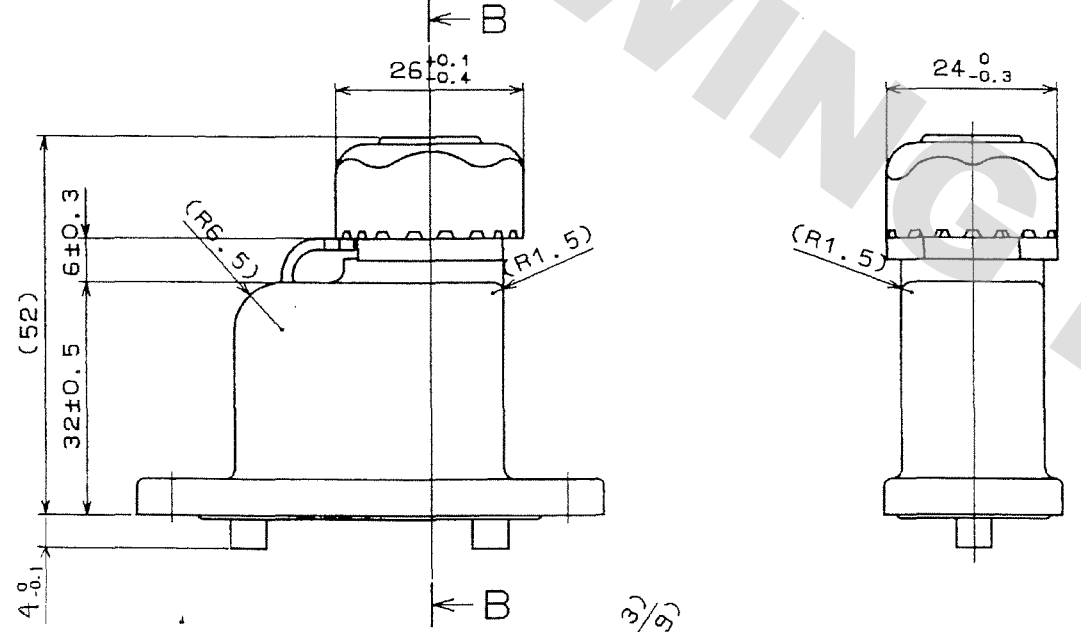
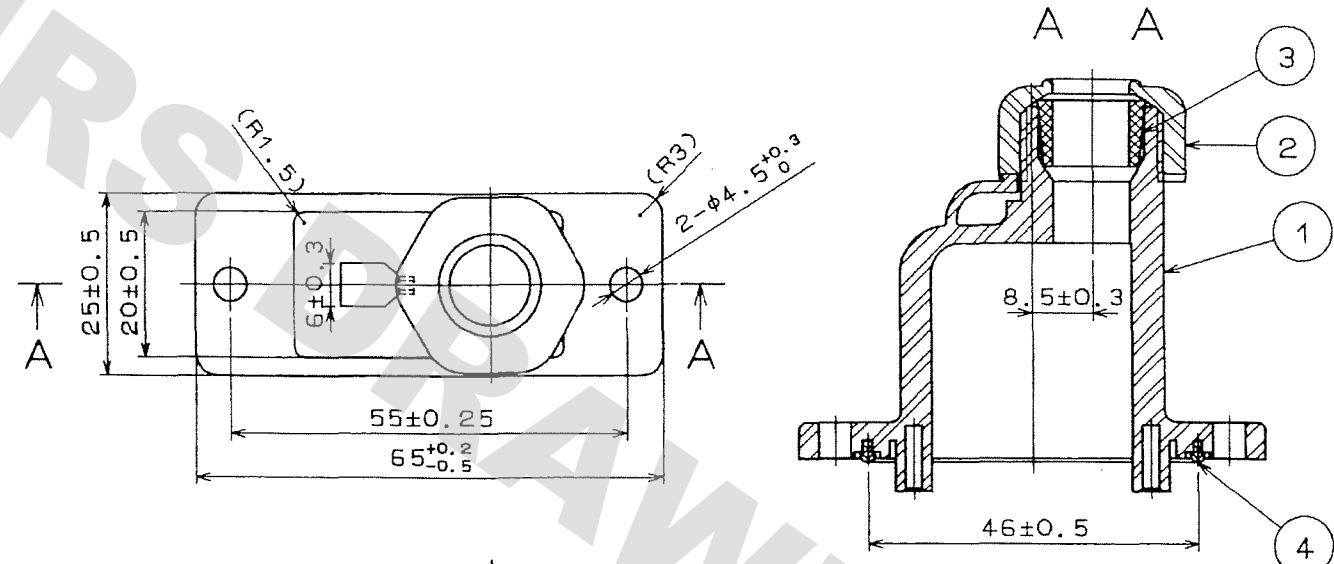
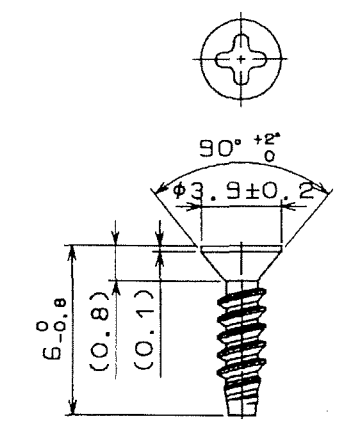


DRAWING FOR REFERENCE: This is subject to change without notice
08/11/2012

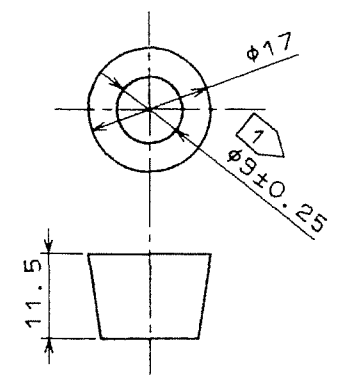
COUNT	DESCRIPTION OF REVISIONS	BY	CHKD	DATE	COUNT	DESCRIPTION OF REVISIONS	BY	CHKD	DATE



5 M2.6X6 TAPPIN SCREW ATTACHED
(SCALE FREEE) (2 PIECES)



6 φ9 GAS-KET ATTACHED
(1PIECE)



No	GAS-KET INSIDE DIA	APPLICABLE CABLE OVERALL DIA
3	φ 11 ± 0.25	φ 10.4 N φ 11.2
6	φ 9 ± 0.25	φ 8.4 N φ 9.2

NO.	MATERIAL	FINISH, REMARKS	NO.	MATERIAL	FINISH, REMARKS
3	SILICONE RUBBER	(BLACK)UL94HB	6	SILICONE RUBBER	(BLACK)UL94HB
2	PBT	(BLACK)UL94V-0	5	STELL	OVER: NICKEL PLATING 2um min UNDER: COPPER PLATING 1um min
1	PBT	(BLACK)UL94V-0	4	SILICONE RUBBER	(BLACK)UL94HB

CODE NO. (OLD)	DRAWN	DESIGNED	CHECKED	APPROVED	RELEASED
	M. Itano	M. Itano	Y. Enami	H. Mura	
	'06.09.04	'06.09.04	06.09.04	06.09.04	

DRAWING NO.	PART NO.
EDC3-043737-01	HDAW-15-CV(50)
SCALE 2 : 1	CODE NO.
UNITS mm	CL211-5094-1-50

TO
Q1

X-ON Electronics

Largest Supplier of Electrical and Electronic Components

Click to view similar products for [D-Sub Backshells](#) category:

Click to view products by [Hirose](#) manufacturer:

Other Similar products are found below :

[600X51137X](#) [600X54009X](#) [66241-12A](#) [M85049/6-38N](#) [M85049/86-12N03](#) [M85049/90-13P03](#) [70.350.0636.4](#) [70.350.2435.1](#) [72.350.1035.2](#)
[72.352.2435.1](#) [73.359.4035.3](#) [829472-1](#) [PCS-E20W](#) [970-015-040R011](#) [971-009-030R121](#) [971-009-040R011](#) [971-015-040R011](#) [DPH-B-003](#)
[1437013-9](#) [1484402-8](#) [156-3025-EX](#) [16-500800](#) [165X02659X](#) [165X03399A](#) [165X10259X](#) [165X11359X](#) [165X11759X](#) [165X11889X](#)
[165X11899X](#) [165X13019X](#) [165X13029X](#) [165X13169X](#) [165X13199X](#) [165X13239X](#) [165X13389X](#) [165X13489X](#) [165X14219X](#)
[165X14429X](#) [165X14449X](#) [165X17409X](#) [165X17439X](#) [165X17569X](#) [165X17599X](#) [165X17609X](#) [165X17979X](#) [L171373](#) [971-025-](#)
[030R121](#) [300X10989X](#) [165X02609X](#) [165X02639X](#)