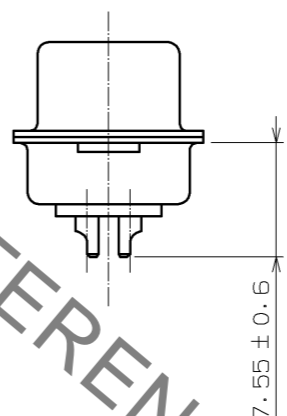
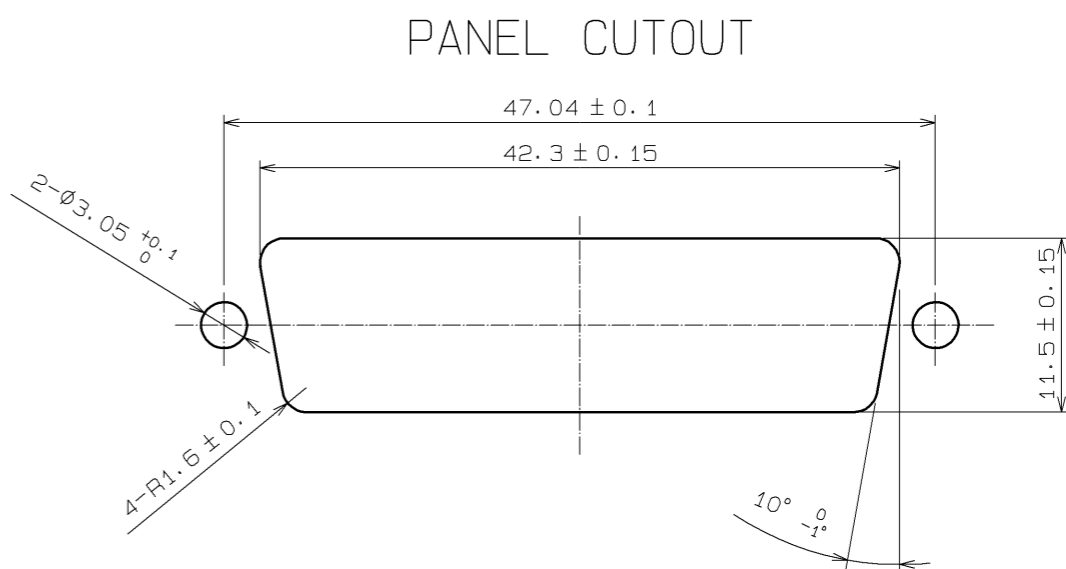
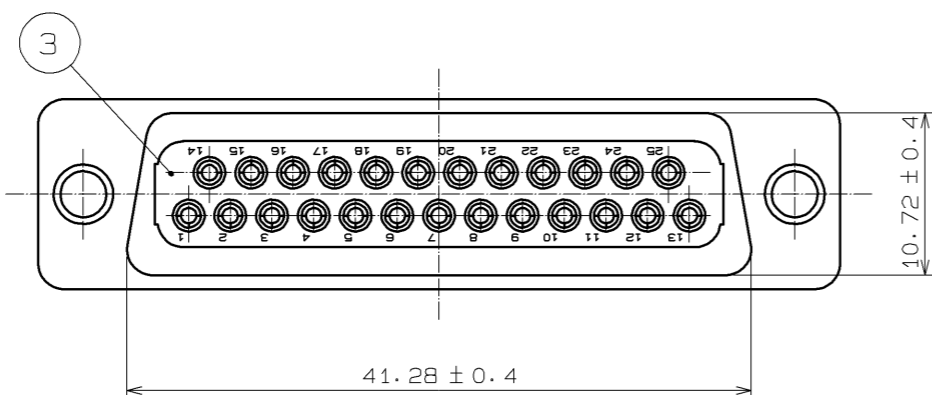
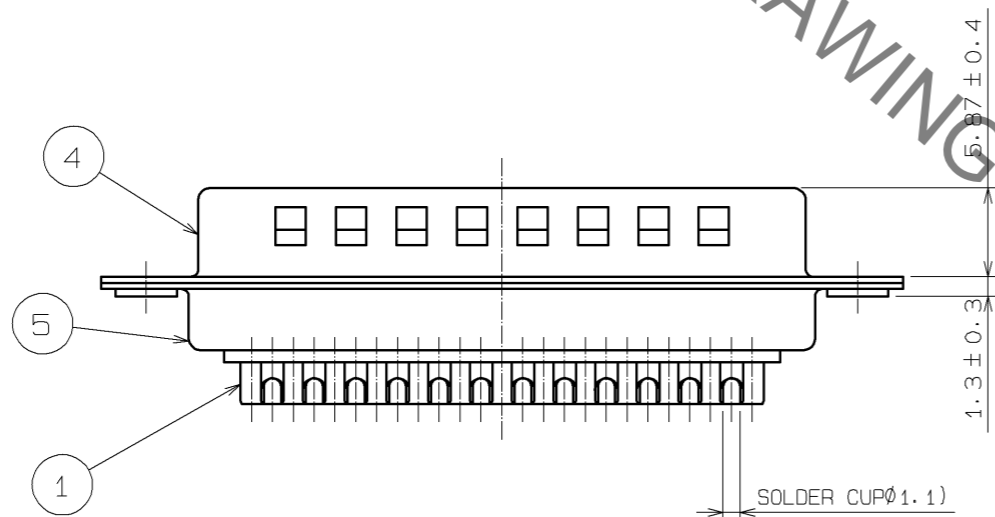
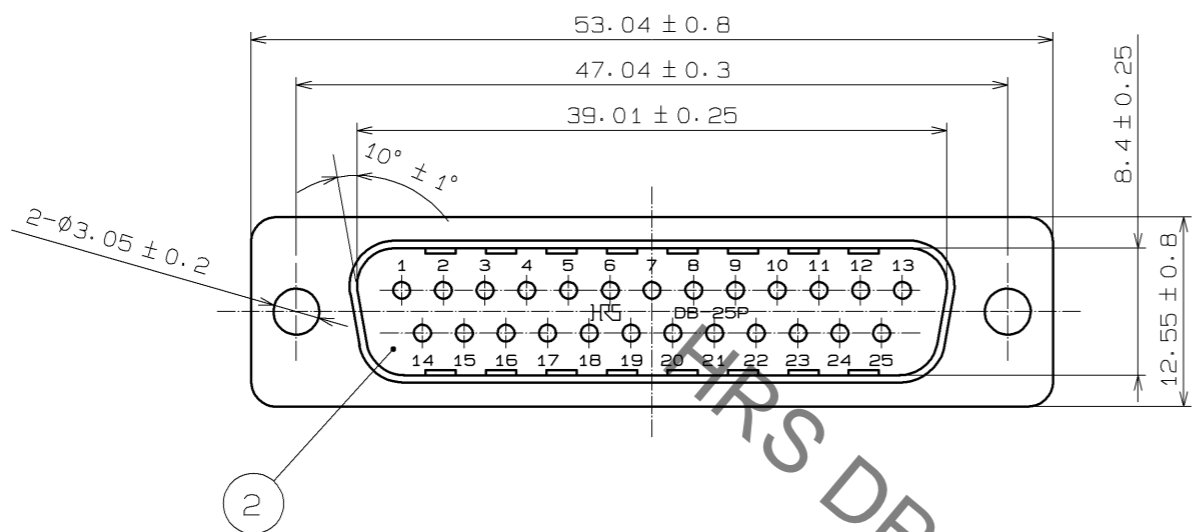


Sep.1.2021 Copyright 2021 HIROSE ELECTRIC CO., LTD. All Rights Reserved.
In case of consideration for using Automotive equipment / device which demand high reliability, kindly contact our sales window correspondents.



NOTE 1. SOLDERING SHALL BE DOWN WITH SOLDERING BIT OF 40W MAX WITHIN 4s.
 2 CONTACT AREA: GOLD PLATING 0.2μm MIN
 TERMINAL AREA: GOLD PLATING 0.03μm MIN
 UNDER PLATING: NICKEL PLATING 1μm MIN

3	PBT	UL94V-0 BLACK	5	STEEL	SURFACE PLATING : NICKEL 2μm min. UNDER PLATING : COPPER 5μm min.
2	PBT	UL94V-0 BLACK	4	STEEL	SURFACE PLATING : NICKEL 2μm min. UNDER PLATING : COPPER 5μm min.
1	PHOSPHOR BRONZE	2			
NO.	MATERIAL	FINISH . REMARKS	NO.	MATERIAL	FINISH . REMARKS
UNITS mm		SCALE 2 : 1	COUNT △	DESCRIPTION OF REVISIONS	
DESIGNED		CHECKED	DATE		
APPROVED : YH. ENAMI		09.01.29	DRAWING NO. EDC3-022424-01		
CHECKED : HO. MIWA		09.01.29	PART NO. HDBB-25PF (05)		
DESIGNED : YH. MAMADA		09.01.28	CODE NO. CL211-0564-6-05		
DRAWN : YH. MAMADA		09.01.28	1/1		

X-ON Electronics

Largest Supplier of Electrical and Electronic Components

Click to view similar products for [D-Sub Standard Connectors](#) category:

Click to view products by [Hirose](#) manufacturer:

Other Similar products are found below :

[56F706-005-LI](#) [56F711-015](#) [LV242999-142T12](#) [015-0341-000](#) [015-0372-005](#) [015-0372-008](#) [015-8755-001](#) [020419-0104](#) [012-0467-000](#)
[012-9507-034](#) [012-9507-114](#) [020745-0008](#) [609-25P](#) [CT2-18-11PCAU](#) [CT6-10SL-3SC](#) [CT6-10SL-4SC](#) [CT6-14S-2SC](#) [CT6E14SA7SC](#)
[CT6N10SL-4SSA34](#) [M83513/01-FC](#) [M83723/76W24619 L/C](#) [M85049/48-3-2F](#) [6STD09PCM99B70X](#) [6STD09SCM99B30X](#)
[6STD09SCT99S40X](#) [6STD15PCT99S40X](#) [6STD15SCT99S40X](#) [6STF09PCM05B70X](#) [7-135760-9](#) [MC11E-10-6SN](#) [747552-3](#) [MD1-21PS](#)
[MDM-15SCBRM7-F222](#) [MDM96517-699](#) [MDM96521-744](#) [MDVB1-21SL1](#) [MIK0-1-7SH003](#) [MIKQ6-7SH076](#) [MIKQ7-7PH077](#) [MIKQ7-](#)
[7PH11](#) [MIKQ7-7PH32](#) [MJSV-28SL61](#) [MKJ4A1F14-55S](#) [8-135760-3](#) [8STD09PCM99B30X](#) [PG-KV/PV-16-GROM-SEALING](#) [GDA15P](#)
[GDAY15PB](#) [980-0000-170](#) [980-0000-171](#)