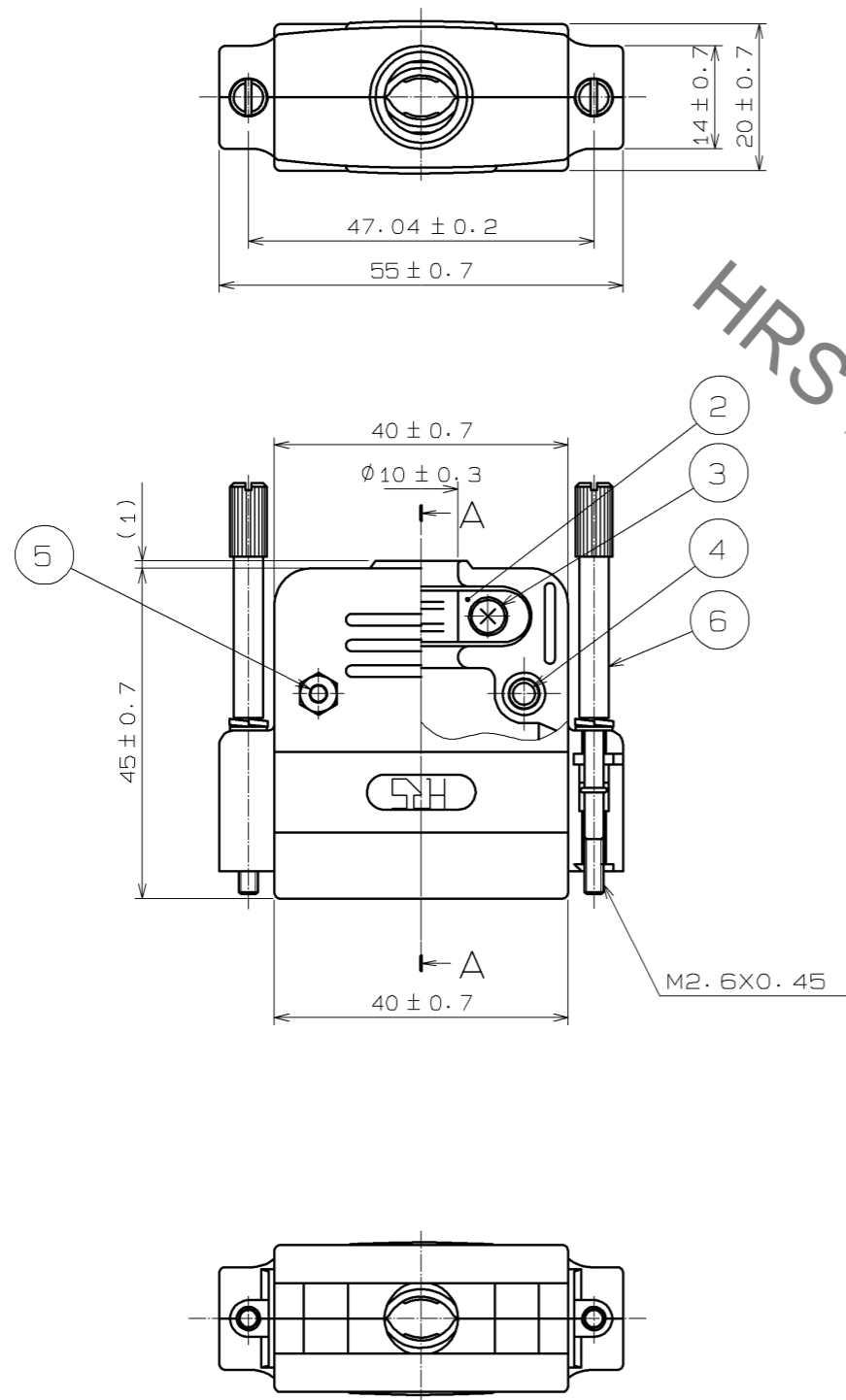
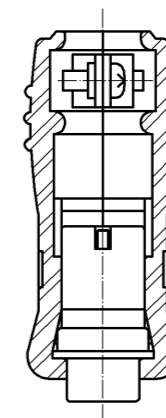


Sep.1.2021 Copyright 2021 HIROSE ELECTRIC CO., LTD. All Rights Reserved.
In case of consideration for using Automotive equipment / device which demand high reliability, kindly contact our sales window correspondents.



CONNECTOR APPLICATED SECTIONAL VIEW (SECTION A-A)
FDB-25P NOT STRAIN-RELIEF



HRS DRAWING FOR REFERENCE

NO.	MATERIAL	FINISH	REMARKS	NO.	MATERIAL	FINISH	REMARKS
3	STEEL	SURFACE PLATING : NICKEL 0.8µm min. UNDER PLATING : COPPER 2µm min.		6	STEEL	SURFACE PLATING : NICKEL 0.8µm min. UNDER PLATING : COPPER 2µm min.	
2	STEEL	SURFACE PLATING : NICKEL 3µm min. UNDER PLATING : COPPER 2µm min.		5	STEEL	SURFACE PLATING : NICKEL 0.8µm min. UNDER PLATING : COPPER 2µm min.	
1	ABS	(2.5 PB 6.0/2.0)UL94HB		4	STEEL	SURFACE PLATING : NICKEL 0.8µm min. UNDER PLATING : COPPER 2µm min.	

UNITS	SCALE	COUNT	DESCRIPTION OF REVISIONS	DESIGNED	CHECKED	DATE
mm	1 : 1	△				
APPROVED : YH. ENAMI			09.01.29	DRAWING NO. EDC3-008874-01		
CHECKED : HO. MIWA			09.01.29	PART NO. HDB-CTF1(50)		
DESIGNED : YH. MAMADA			09.01.28	CODE NO. CL211-0166-3-50		
DRAWN : YH. MAMADA			09.01.28	△ 1/1		

X-ON Electronics

Largest Supplier of Electrical and Electronic Components

Click to view similar products for [D-Sub Backshells](#) category:

Click to view products by [Hirose](#) manufacturer:

Other Similar products are found below :

[600X51137X](#) [600X54009X](#) [66241-12A](#) [M85049/6-38N](#) [M85049/86-12N03](#) [M85049/90-13P03](#) [70.350.0636.4](#) [70.350.2435.1](#) [72.350.1035.2](#)
[72.352.2435.1](#) [73.359.4035.3](#) [829472-1](#) [PCS-E20W](#) [970-015-040R011](#) [971-009-030R121](#) [971-009-040R011](#) [971-015-040R011](#) [DPH-B-003](#)
[1437013-9](#) [1484402-8](#) [156-3025-EX](#) [16-500800](#) [165X02659X](#) [165X03399A](#) [165X10259X](#) [165X11359X](#) [165X11689X](#) [165X11759X](#)
[165X11889X](#) [165X11899X](#) [165X13019X](#) [165X13029X](#) [165X13169X](#) [165X13199X](#) [165X13239X](#) [165X13389X](#) [165X13489X](#)
[165X14219X](#) [165X14429X](#) [165X14449X](#) [165X17409X](#) [165X17439X](#) [165X17569X](#) [165X17599X](#) [165X17609X](#) [165X17979X](#) [L171373](#)
[971-025-030R121](#) [300X10989X](#) [165X02609X](#)