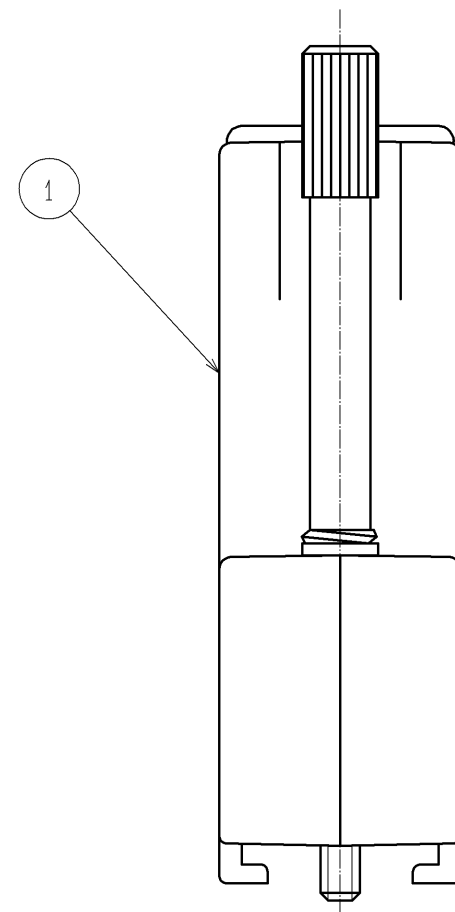
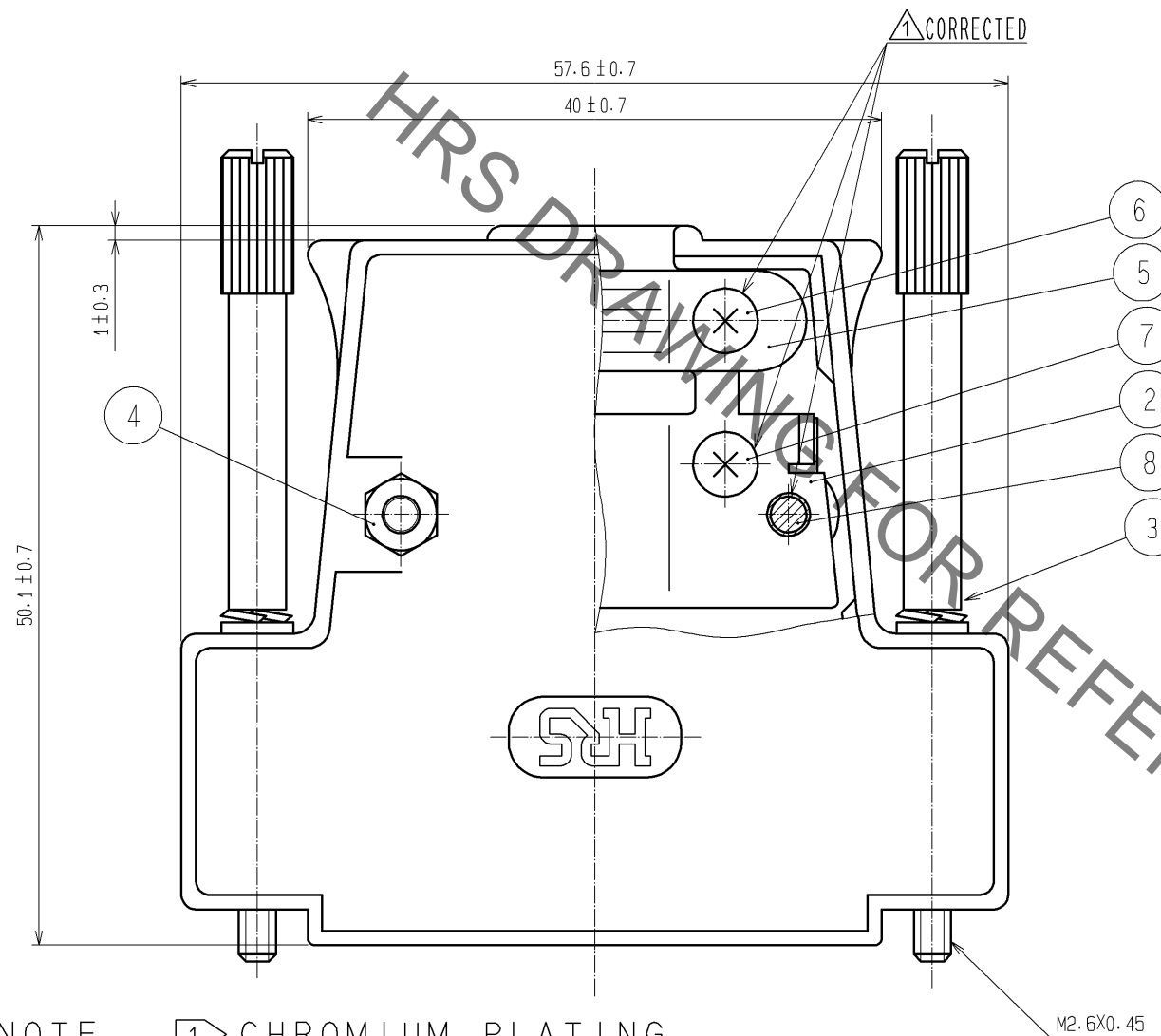
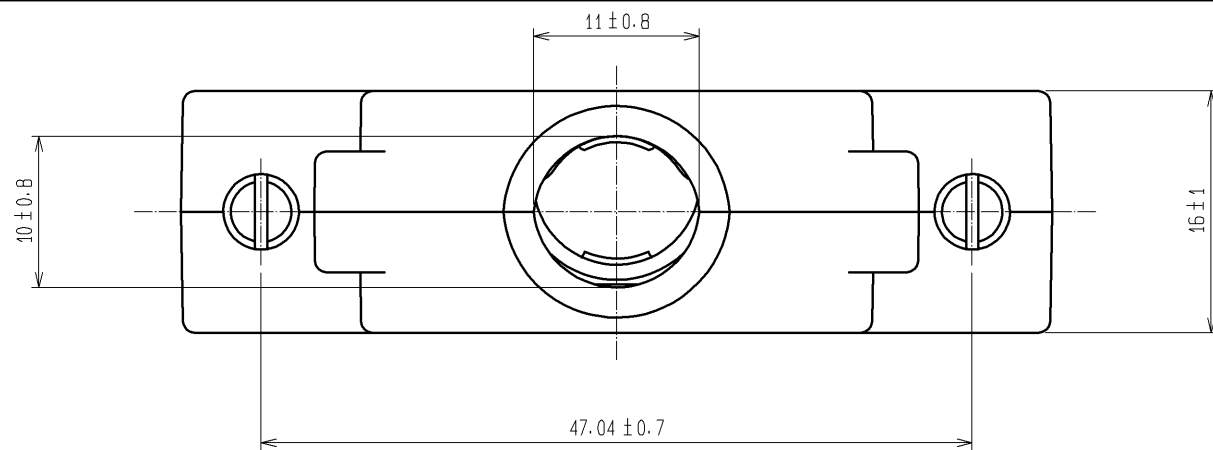


Sep.1.2021 Copyright 2021 HIROSE ELECTRIC CO., LTD. All Rights Reserved.
In case of consideration for using Automotive equipment / device which demand high reliability, kindly contact our sales window correspondents.



- NOTE.
- ① CHROMIUM PLATING OVER NICKEL PLATING UL94HB
 - ② HEXAGON NUT M2. 6X0. 45 NICKEL PLATING
 - ③ PAN HEAD MACHINE SCREW WITH SPRING WASHER M2. 6X0. 45X8 NICKEL PLATING
 - ④ PAN HEAD MACHINE SCREW WITH SPRING WASHER M2. 6X0. 45X5 NICKEL PLATING
 - ⑤ PAN HEAD MACHINE SCREW WITH SPRING WASHER M2. 6X0. 45X14 NICKEL PLATING

NO.	MATERIAL	FINISH .	REMARKS	NO.	MATERIAL	FINISH .	REMARKS
4	STEEL		②	8	STEEL		⑤
3	STEEL	NICKEL PLATING		7	STEEL		④
2	STEEL	NICKEL PLATING		6	STEEL		③
1	ABS		①	5	STEEL	NICKEL PLATING	

UNITS	SCALE	COUNT	DESCRIPTION OF REVISIONS	DESIGNED	CHECKED	DATE
mm	2 : 1	1	DIS-E-002509	MT. ITANO	KI. NAGANUMA	08. 10. 21

APPROVED : HO. MIWA	06. 07. 12	DRAWING NO.	EDC3-010429-01
CHECED : YH. ENAMI	06. 07. 12	PART NO.	HDB-CTH1(10)
DESIGNED : TU. TANIGUCHI	06. 07. 12	CODE NO.	CL211-0306-0-10
DRAWN : MT. ITANO	06. 07. 11		

X-ON Electronics

Largest Supplier of Electrical and Electronic Components

Click to view similar products for [D-Sub Backshells](#) category:

Click to view products by [Hirose](#) manufacturer:

Other Similar products are found below :

[600X51137X](#) [600X54009X](#) [66241-12A](#) [M85049/6-38N](#) [M85049/86-12N03](#) [M85049/90-13P03](#) [70.350.0636.4](#) [70.350.2435.1](#) [72.350.1035.2](#)
[72.352.2435.1](#) [73.359.4035.3](#) [829472-1](#) [PCS-E20W](#) [970-015-040R011](#) [971-009-030R121](#) [971-009-040R011](#) [971-015-040R011](#) [DPH-B-003](#)
[1437013-9](#) [1484402-8](#) [156-3025-EX](#) [16-500800](#) [165X02659X](#) [165X03329A](#) [165X03399A](#) [165X10259X](#) [165X11359X](#) [165X11759X](#)
[165X11889X](#) [165X11899X](#) [165X13019X](#) [165X13029X](#) [165X13169X](#) [165X13199X](#) [165X13239X](#) [165X13389X](#) [165X13489X](#)
[165X14219X](#) [165X14429X](#) [165X14449X](#) [165X17409X](#) [165X17439X](#) [165X17569X](#) [165X17599X](#) [165X17609X](#) [165X17889X](#)
[165X17979X](#) [L171373](#) [971-025-030R121](#) [300X10989X](#)