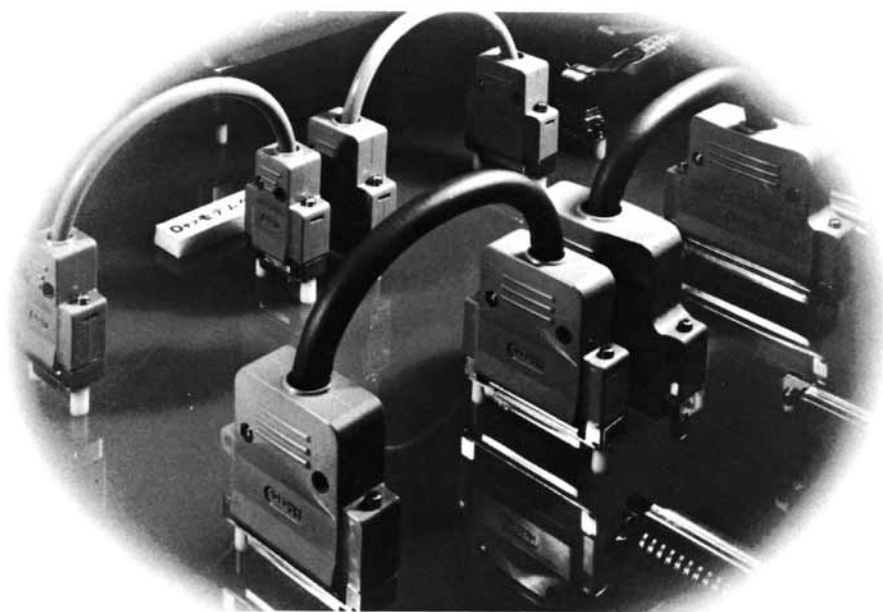


# CTF SERIES PLASTIC D SUBMINIATURE SHELL (ACCESSORIES)

## General

HIROSE CTF series plastic D subminiature shells offer the highest quality of mechanical design and appearance. Available to fit 9, 15, 25, and 37 position

connectors and most competitors products. LN mounts allow for design flexibility.



## Features

- (1) Standard screw type locking mechanism provides a strong and secure lock.
- (2) ABS resin molding material offers light weight, sturdy construction.
- (3) Easy to assemble and service because the case is split at the center of the cable inlet and few screws are used.
- (4) Two types of locking devices are available, rectangular and hexagonal, to meet different panel mounting complies.
- (5) The 25-contact model complies with the the mod- em plug case specified in JIS-C-6361.
- (6) Can easily incorporate solderling (HD) and crimping.

## Application

Modems in communications equipment such as computers, peripherals and terminal equipment, control

equipment, measuring instruments, and export equip- ment.

## Materials

Part	Material	Finish
Plug case	ABS resin	2.5PB 6/2 (color)
Locking device	Steel or zinc alloy die casting	Nickel plating

## Ordering Informations

### Plug case

HD   B   —   CT   F   ※<sub>1</sub>   ※<sub>2</sub>  
 |   |   |   |   |   |  
 (1) (2)   (3) (4) (5) (8)

### Locking device

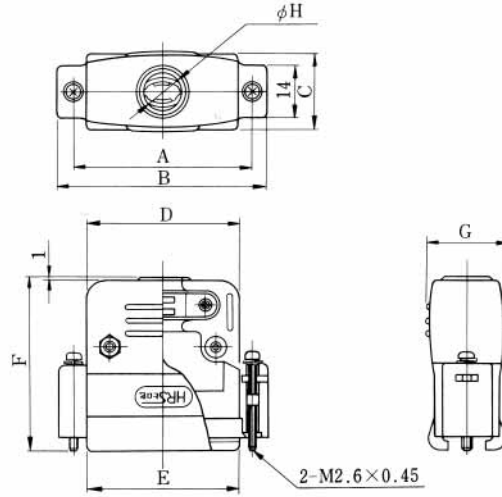
HD   —   LN   A   ※<sub>2</sub>  
 |   |   |   |  
 (1)   (6) (7) (8)

- (1) Connector series
- (2) Connector size: E (9 contacts), A (15 contacts), B (25 contacts), C (37 contacts)  
 Note: Not available for 50pos. cover.
- (3) Type of plug case  
 CT: Plug case with a vertical cable inlet opening
- (4) Serial sign for series  
 F: Plug case made of plastic
- (5) Locking screws  
 No sign: To be locked with a screwdriver  
 1: To be locked by hand
- (6) Locking device  
 LN: screw type locking device
- (7) Type of locking device  
 Provided with a sequence of upper-case alphabetic characters.  
 No sign: Rectangular  
 A: Hexagonal
- (8) Type of screw  
 Provided with a sequence of Arabic numerals.  
 No sign: M2.6  
 (4-40): inch

## Dataphone shell (To be locked with a screwdriver)



HDB-CTF (50)



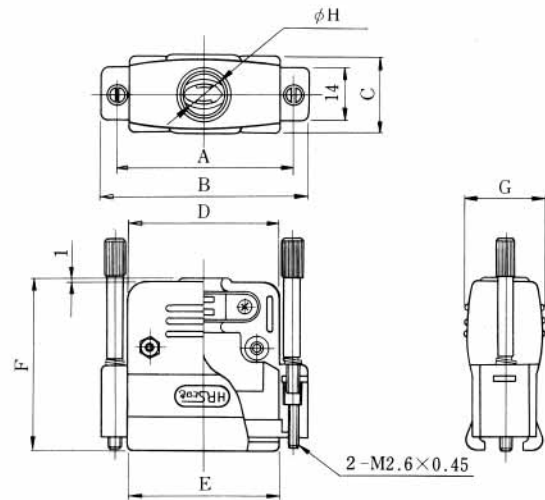
Unit: mm

HRS No	No. of pin	Part No.	A	B	C	D	E	F	G	H	RoHS
CL211-0159-8-50	9	HDE-CTF (50)	24.99	33.2	18	19.3	19.2	40.2	19.6	7	YES
CL211-0160-7-50	15	HDA-CTF (50)	33.32	41.2	18	27.2	27.2	43.2	19.6	9	
CL211-0139-0-50	25	HDB-CTF (50)	47.04	55	20	40	40	46	20.8	10	
CL211-0161-0-50	37	HDC-CTF (50)	63.5	72.2	20	50.2	57	51.2	24	12	

## Dataphone Shell (To be locked by hand)



HDB-CTF1 (50)



Unit: mm

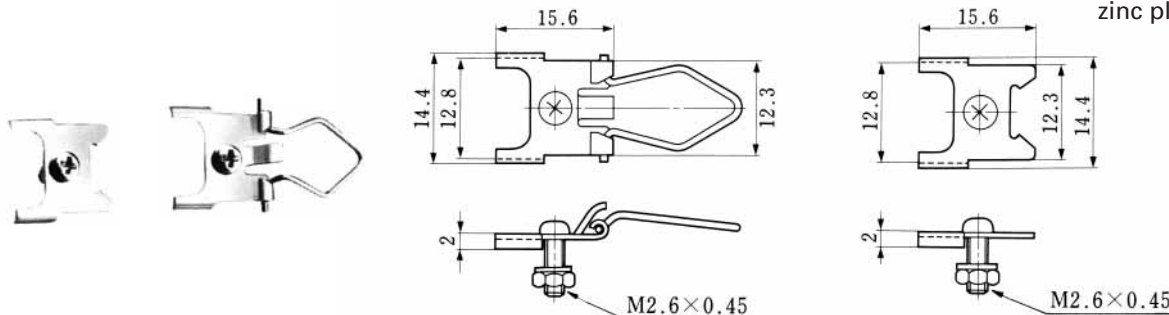
HRS No	No. of pin	Part No.	A	B	C	D	E	F	G	H	RoHS
CL211-0168-9-50	9	HDE-CTF1 (50)	24.99	33.2	18	19.2	19.2	40.2	19.6	7	YES
CL211-0350-2-50	15	HDA-CTF1 (50)	33.32	41.2	18	27.2	27.2	43.2	19.6	9	
CL211-0166-3-50	25	HDB-CTF1 (50)	47.04	55	20	40	40	46	20.8	10	
CL211-0328-3-50	37	HDC-CTF1 (50)	63.5	72.2	20	50.2	57	51.2	24	12	

## SM Series (D SUB) Accessory

### Spring lock

#### Material

Body: Stainless steel  
 Screws: Steel  
 Finish  
 Screws: Treated with dichromate over zinc plating



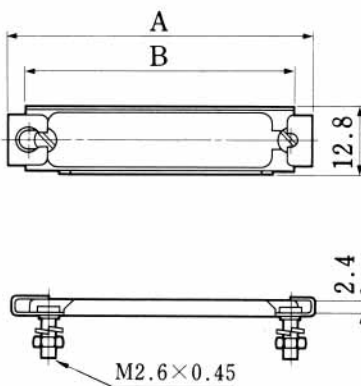
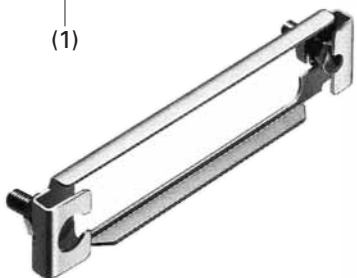
HRS No	Part No.	RoHS
CL211-0122-8-50	DA-L (50)	YES

HRS No	Part No.	RoHS
CL211-0123-0-50	DA-LP (50)	YES

### Spring lock

D※-PLA (50)

(1)



#### Material

Body: Stainless steel  
 Screws: Steel  
 Finish  
 Screws: Nickel plating

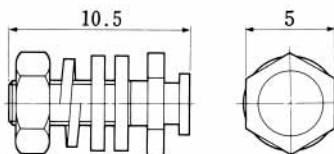


Unit: mm

- (1) Connector size: E (9contacts)  
 A (15contacts)  
 B (25contacts)  
 C (37contacts)

HRS No	Part No.	A	B	No. of pin	RoHS
CL211-0679-8-50	DE-PLA (50)	35.37	28.51	9	YES
CL211-0680-7-50	DA-PLA (50)	43.7	36.84	15	
CL211-0681-0-50	DB-PLA (50)	57.42	50.56	25	
CL211-0682-2-50	DC-PLA (50)	73.88	67.02	37	

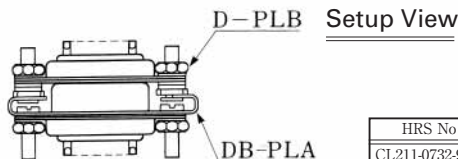
### D-PLA (05)



#### Material: Steel

Body  
 Finish: Nickel plating  
 Screws

- Notes (1) Minimum ordering quantity is one package, which contains two units.  
 (2) Applicable for any size of our connectors.



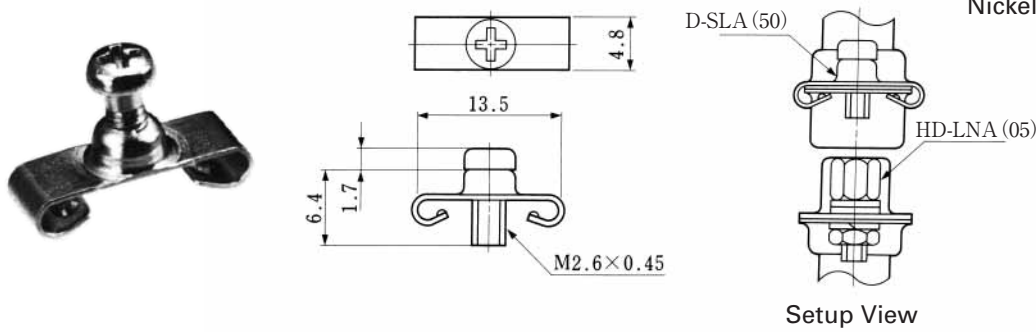
HRS No	Part No.	RoHS
CL211-0732-9-05	D-PLB (05)	YES

## SM Series (D SUB) Accessory

### Screw lock (for HD-LNA)

Note: Minimum ordering quantity is one package, which contains two units.

**Material**  
**Body: Steel**  
**Finish**  
**Nickel plating**



HRS No	Part No.	RoHS
CL211-0307-3-50	D-SLA (50)	YES

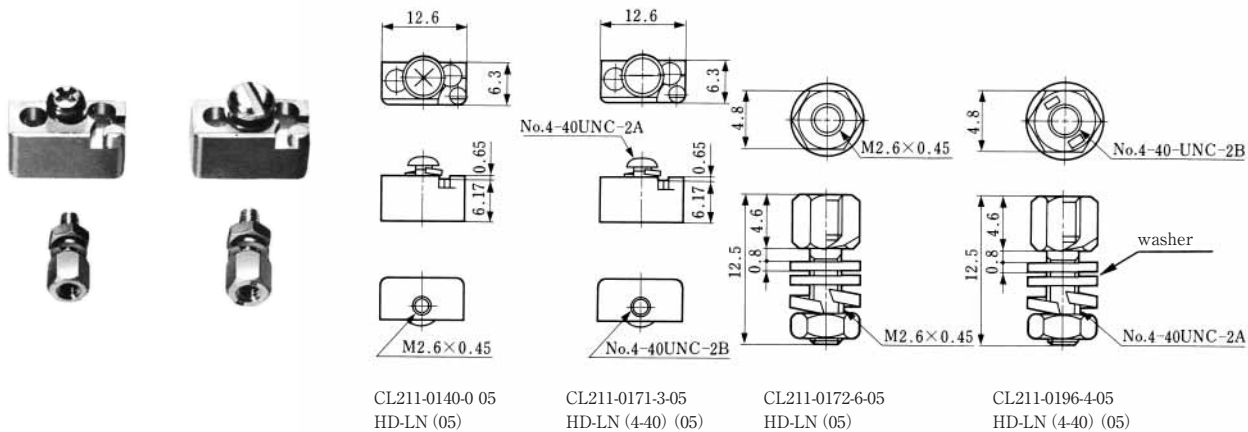
Before mounting the D-SLA, loosen the screw slightly

Note (1) Applicable for 9 to 37 contacts.

(2) Minimum ordering quantity is one package which contains two units.

### Locking device

No. of washers	Applicable panel thickness
0	1.6-2.0mm
1	0.8-1.2mm
2	0-0.4mm



CL211-0140-0 05  
 HD-LN (05)

CL211-0171-3-05  
 HD-LN (4-40) (05)

CL211-0172-6-05  
 HD-LN (05)

CL211-0196-4-05  
 HD-LN (4-40) (05)

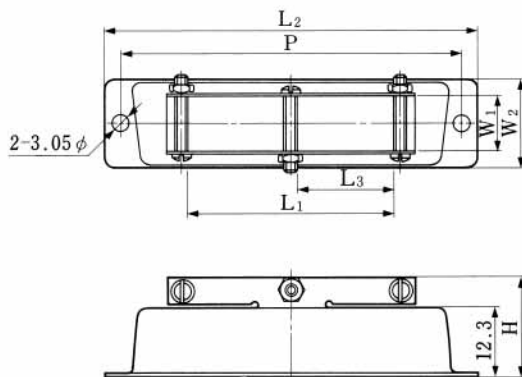
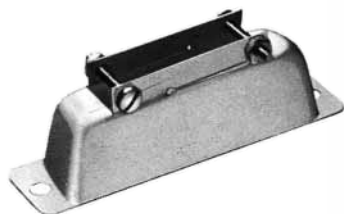
Unit: mm

HRS No	Part No.	RoHS	Applicable panel thickness	No. of washers	Finish
CL211-0140-0 05	HD-LN (05)	YES	1.2mm or less		Nickel plating
CL211-0171-3 05	HD-LN (4-40) (05)				
CL211-0140-0 08	HD-LN (08)		1.2-1.6mm		
CL211-0171-3 08	HD-LN (4-40) (08)				
CL211-0172-6 05	HD-LNA (05)		1.6-2.0mm	0	Adjust no. of washer
CL211-0196-4 05	HD-LNA (4-40) (05)		0.8-1.2mm	1	
			0-0.4mm	2	

**Material**  
**Steel or zinc alloy**  
**Finish**  
**Nickel plating**

## SM Series (D SUB) Accessory

### Clamp

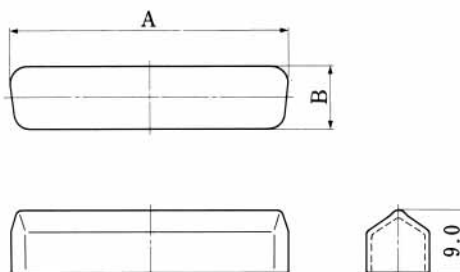


Material  
Steel  
Finish  
Nickel plating

Unit: mm

HRS No	Part No.	L <sub>1</sub>	L <sub>2</sub>	L <sub>3</sub>	P	W <sub>1</sub>	W <sub>2</sub>	H (abt.)	RoHS
CL211-0018-6-50	HDE-C (50)	7.3	30.6	—	24.99	7.5	12.7	16.3	YES
CL211-0005-4-50	HDA-C (50)	8.0	38.9	—	33.32	7.5	12.7	16.3	
CL211-0011-7-50	HDB-C (50)	20.2	52.8	—	47.04	7.5	12.7	16.3	
CL211-0059-3-50	HDC-C (50)	37.0	69.1	17.5	63.5	7.5	12.7	16.3	
CL211-0006-7-50	HDD-C (50)	37.0	66.7	17.5	61.11	9.9	15.5	17.6	

### Dust cap

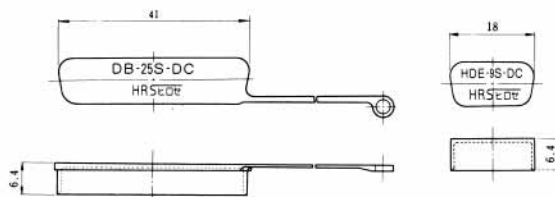


Material  
Vinyl chloride (UL94V-2)  
Finish  
Color: Light blue

	HRS No	No. of pin	Part No.	A	B	RoHS
For male connector	CL211-0777-7	9	DE-9P-DC1	18.7	10.2	YES
	CL211-0778-0	15	DA-15P-DC1	27.0	10.2	
	CL211-0779-2	25	DB-25P-DC1	41.0	10.4	
	CL211-0780-1	37	DC-37P-DC1	57.7	10.6	
	CL211-0781-4	50	DD-50P-DC1	55.0	13.3	

	HRS No	No. of pin	Part No.	A	B	RoHS
For female connector	CL211-0782-7	9	DE-9S-DC1	17.4	8.8	YES
	CL211-0783-0	15	DA-15S-DC1	25.6	8.8	
	CL211-0784-2	25	DB-25S-DC1	39.3	8.8	
	CL211-0785-5	37	DC-37S-DC1	55.8	8.8	
	CL211-0786-8	50	DD-50S-DC1	53.4	11.6	

Note: Dust cap for male connector cannot be used for the connector with locking device (LN)



Material  
Polyethylene resin  
Finish  
Color: Natural

HRS No	Part No.	RoHS
CL211-0162-2	DB-25S-DC	YES

HRS No	Part No.	RoHS
CL211-0130-6	HDE-9S-DC	YES

## X-ON Electronics

Largest Supplier of Electrical and Electronic Components

*Click to view similar products for [D-Sub Tools & Hardware](#) category:*

*Click to view products by [Hirose](#) manufacturer:*

Other Similar products are found below :

[000-01-09-132](#) [000-01-21-132](#) [D20418-148](#) [D20418-2R](#) [D20418-J3F](#) [780-010-06G4-00C](#) [780-518-50SG6-WS](#) [1230032-1](#) [DBMM-21W1S](#)  
[15-004670](#) [1-5021101-2](#) [1589283-4](#) [160-015-003R031](#) [160X10909X](#) [164C03939A](#) [1-966830-8](#) [21018-6](#) [21028-2](#) [JS-1000](#) [248C21530X](#)  
[212561-3](#) [QLOCKPOST-2](#) [D20419-16](#) [D20419-16JR](#) [500-008NF1K-01](#) [500-008NF3R3KS-01](#) [5-1393561-5](#) [559-001-49](#) [C115373-0001](#)  
[C115373-0002](#) [L17D4M68711](#) [DAMMY3W3S](#) [4-1393560-7](#) [XM2Z-0003](#) [500-008B1AD-07](#) [500-008M1G-01](#) [500-008NF2GKE-04](#)  
[020420-0086](#) [080-00-00-503](#) [063385](#) [09670019977](#) [572019-00108-70](#) [SF09](#) [SF15](#) [CF50S](#) [799-101780](#) [ICK S 18X18X10](#) [D20418-145](#)  
[D20419-121](#) [V42254A6000K115](#)