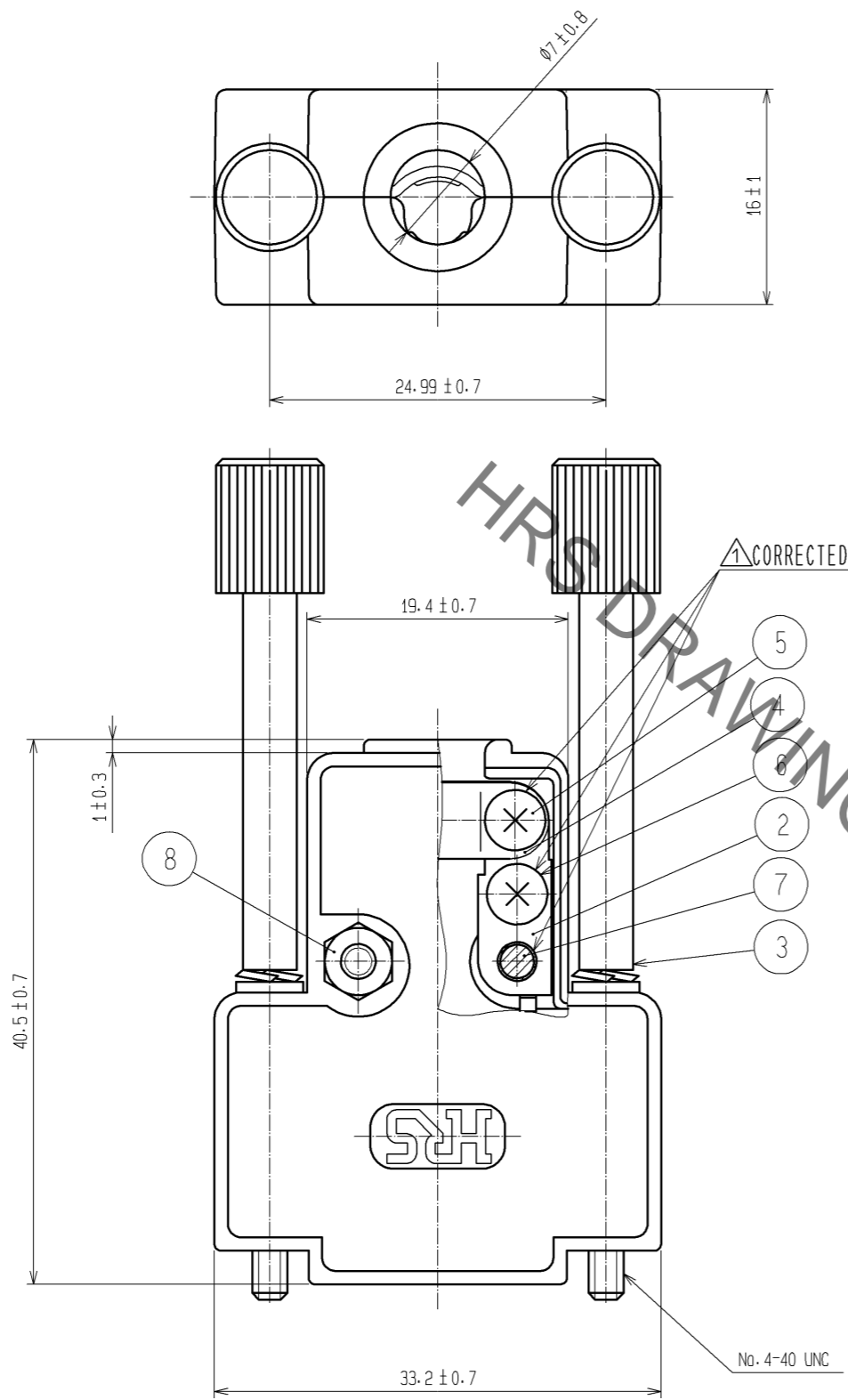


Sep.1.2021 Copyright 2021 HIROSE ELECTRIC CO., LTD. All Rights Reserved.
 In case of consideration for using Automotive equipment / device which demand high reliability, kindly contact our sales window correspondents.



NO.	MATERIAL	FINISH . REMARKS	NO.	MATERIAL	FINISH . REMARKS
4	STEEL	NICKEL PLATING	7	STEEL	PAN HEAD MACHINE SCREW WITH SPRING WASHER M2.6×0.45×14
3	STEEL	NICKEL PLATING	6	STEEL	PAN HEAD MACHINE SCREW WITH SPRING WASHER M2.6×0.45×5 △
2	STEEL	NICKEL PLATING	5	STEEL	PAN HEAD MACHINE SCREW WITH SPRING WASHER M2.6×0.45×8
1	ABS	CHROMIUM PLATING OVER NICKEL PLATING UL94HB	8	STEEL	HEXAGON NUT M2.6×0.45 NICKEL PLATING

UNITS mm		SCALE 2 : 1	COUNT 2	DESCRIPTION OF REVISIONS DIS-E-002509	DESIGNED MT. ITANO	CHECKED KI. NAGANUMA	DATE 08.10.21
HRS HIROSE ELECTRIC CO., LTD.		APPROVED : YH. ENAMI 08.09.05	DRAWING NO. EDC3-027854-01				
		CHECKED : HO. MIWA 08.09.05	PART NO. HDE-CTH1(4-40)(10)				
		DESIGNED : YH. MAMADA 08.09.05	CODE NO. CL211-0865-2-10				
		DRAWN : YH. MAMADA 08.09.05			△ 1/1		

X-ON Electronics

Largest Supplier of Electrical and Electronic Components

Click to view similar products for [D-Sub Backshells](#) category:

Click to view products by [Hirose](#) manufacturer:

Other Similar products are found below :

[600X51137X](#) [600X54009X](#) [66241-12A](#) [M85049/6-38N](#) [M85049/86-12N03](#) [M85049/90-13P03](#) [70.350.0636.4](#) [70.350.2435.1](#) [72.350.1035.2](#)
[72.352.2435.1](#) [73.359.4035.3](#) [829472-1](#) [PCS-E20W](#) [970-015-040R011](#) [971-009-030R121](#) [971-009-040R011](#) [971-015-040R011](#) [DPH-B-003](#)
[1437013-9](#) [1484402-8](#) [156-3025-EX](#) [16-500800](#) [165X02659X](#) [165X03399A](#) [165X10259X](#) [165X11359X](#) [165X11759X](#) [165X11889X](#)
[165X11899X](#) [165X13019X](#) [165X13029X](#) [165X13169X](#) [165X13199X](#) [165X13239X](#) [165X13389X](#) [165X13489X](#) [165X14219X](#)
[165X14429X](#) [165X14449X](#) [165X17409X](#) [165X17439X](#) [165X17569X](#) [165X17599X](#) [165X17609X](#) [165X17979X](#) [L171373](#) [971-025-](#)
[030R121](#) [300X10989X](#) [165X02609X](#) [165X02639X](#)