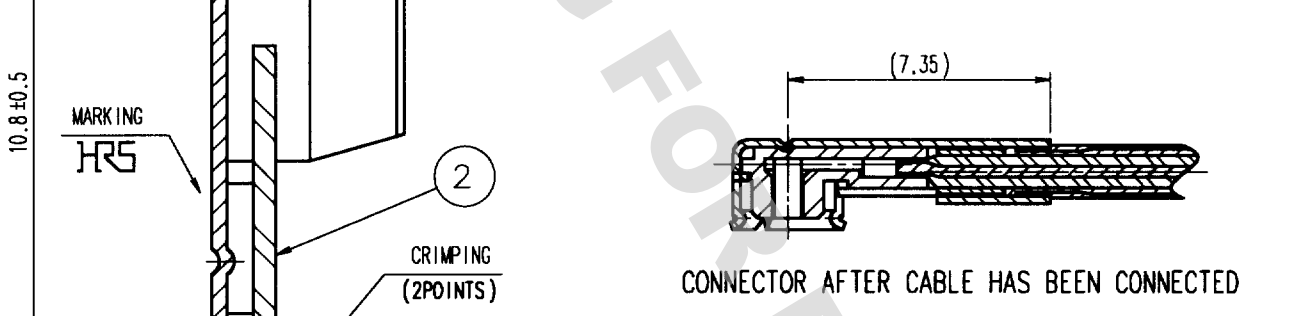
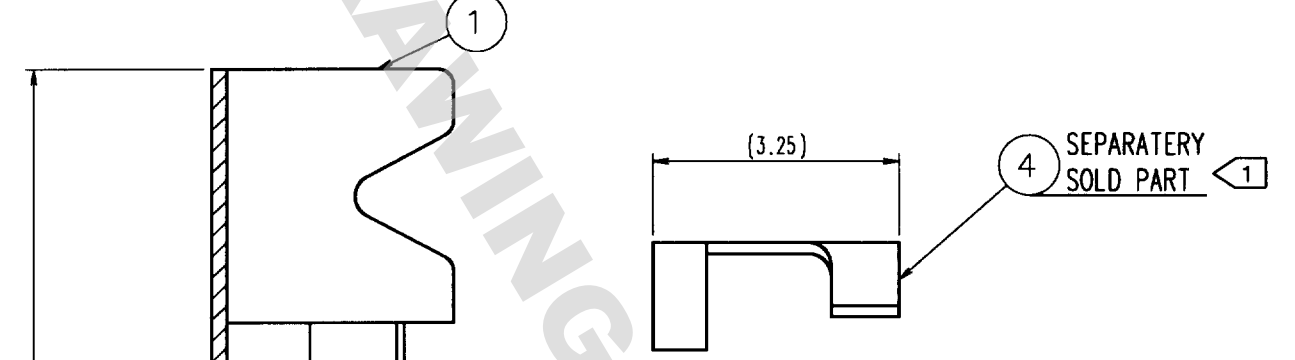
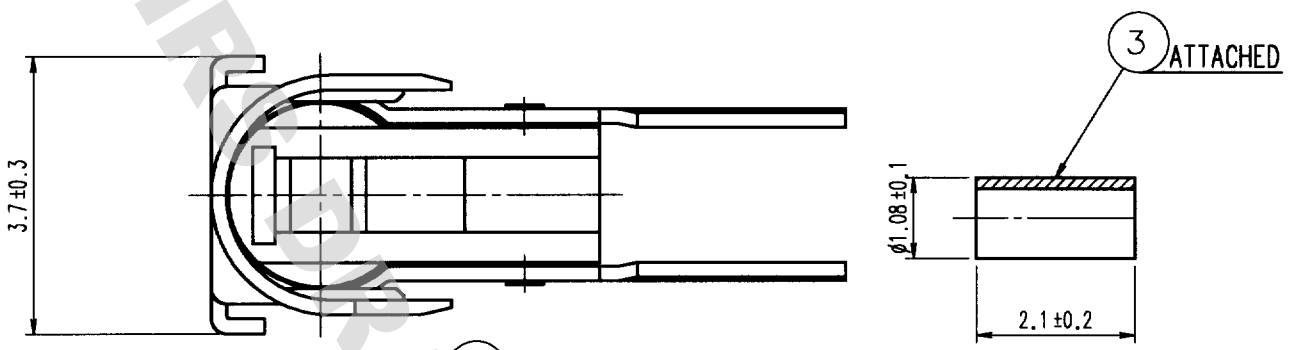


DRAWING FOR REFERENCE: This is subject to change without notice
08/11/2012

1		2			3			4	
COUNT	DESCRIPTION OF REVISIONS	BY	CHKD	DATE	COUNT	DESCRIPTION OF REVISIONS	BY	CHKD	DATE
△					△				
△					△				
△					△				



NOTE 1 THE FEMALE CONTACT IS A SEPARATERY SOLD PART. IT IS SOLD BY THE REEL AND EACH REEL CONTAINS 10,000 CONTACTS.

- 3 THE QUANTITY OF H.FL-LP-A32(01) IS 100 CONNECTORS PER PACK.
- 2 CONNECTOR SHALL BE EXTRACTED VERTICALLY BY SPECIALISED EXTRACTION JIG.(S.FL-LP-N(CL331-0151-9))

2	P B T	(BLACK) .UL94V-0	4	PHOSPHOR BRONZE	GOLD PLATED
1	PHOSPHOR BRONZE	SILVER PLATED	3	STAINLESS STEEL	
NO.	MATERIAL	FINISH, REMARKS	NO.	MATERIAL	FINISH, REMARKS

CODE NO. (OLD) CL	DRAWN H. Shimizu '00.11.14	DESIGNED H. Shimizu '00.11.14	CHECKED Kobayashi '00.11.14	APPROVED Kobayashi '00.11.14	RELEASED
----------------------	----------------------------------	-------------------------------------	-----------------------------------	------------------------------------	----------

	DRAWING NO. EDC4-047370-01	PART NO. H.FL-LP-A32(01)
SCALE 10 : 1 UNITS mm	CODE NO. CL331-0504-7-01	1/1

TO
RF

X-ON Electronics

Largest Supplier of Electrical and Electronic Components

Click to view similar products for [RF Connectors / Coaxial Connectors](#) category:

Click to view products by [Hirose](#) manufacturer:

Other Similar products are found below :

[8915-1511-000](#) [89674-0827](#) [6001-7071-019](#) [6002-7051-003](#) [6002-7551-202](#) [6059674-1](#) [619550-1](#) [630059-000](#) [M39030/3-01N](#) [6500-7071-046](#) [6769](#) [CX050L2AQ](#) [7002-1542-011](#) [7004-1512-000](#) [7009-1511-004](#) [7010-1511-000](#) [7029-1511-060](#) [7101-1541-010](#) [7101-1571-002](#) [7105-1521-002](#) [7145-1521-002](#) [7203-1571-003](#) [7209-1511-011](#) [7210-1511-015](#) [7210-1511-019](#) [73137-5015](#) [73216-2241](#) [73404-2300](#) [7405-1521-005](#) [7405-1521-802](#) [8527](#) [8547](#) [FS11V](#) [8808-1511-001](#) [9049-9513-000](#) [9074-9513-000](#) [9101-9573-002](#) [910A205F](#) [9130-9573-002](#) [PL11SC-026](#) [PL375-33](#) [PL40-5](#) [PL74C-221](#) [PL75MC-217](#) [PL803-7](#) [980-8666-005](#) [1200690078](#) [1-201144-1](#) [R107003010W](#) [R110A172100](#)