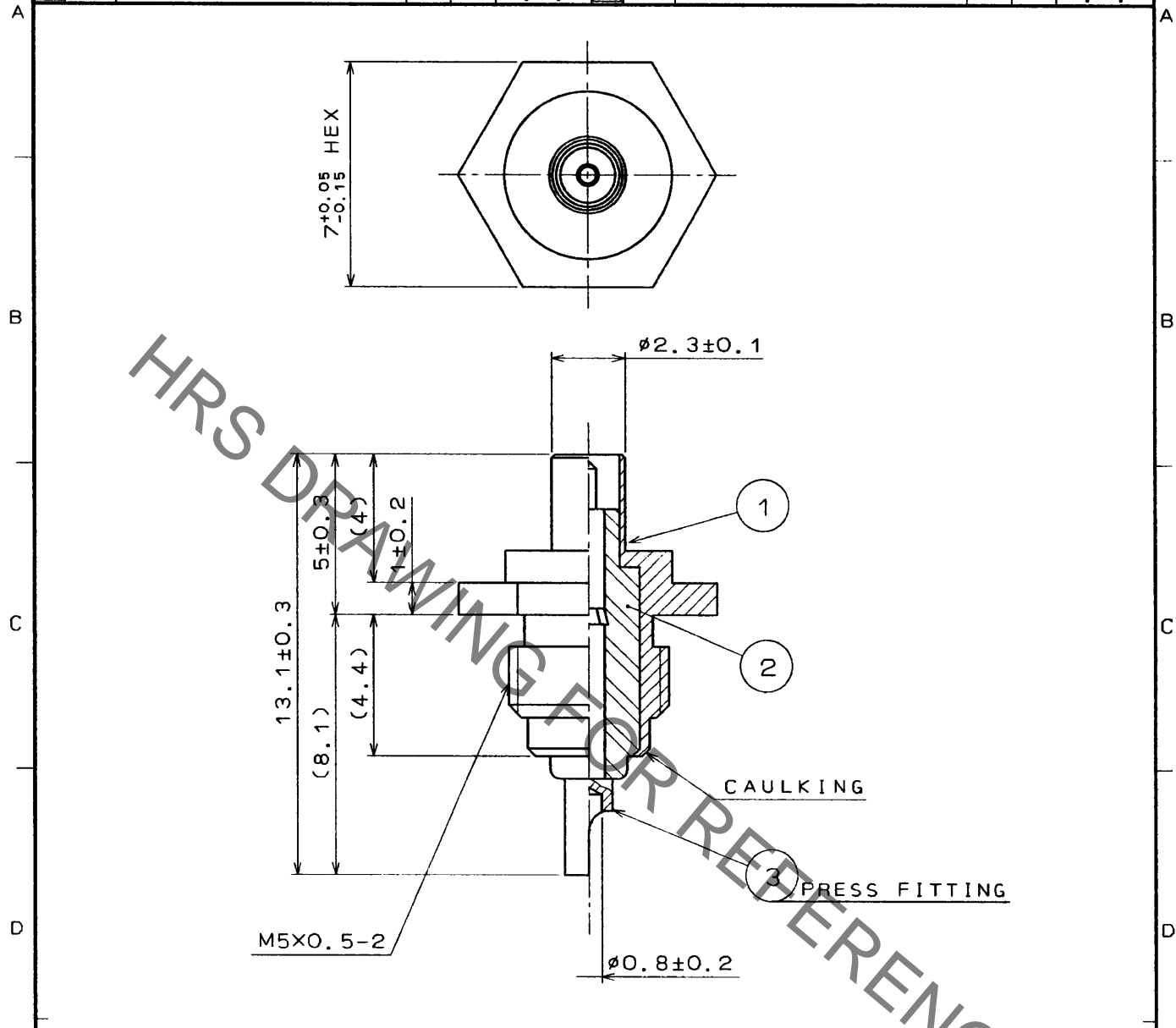


Sep.1.2021 Copyright 2021 HIROSE ELECTRIC CO., LTD. All Rights Reserved.
In case of consideration for using Automotive equipment / device which demand high reliability, kindly contact our sales window correspondents.

| 1 | | 2 | | | 3 | | | 4 | | |
|-------|--------------------------|----|------|------|-------|--------------------------|----|------|------|--|
| COUNT | DESCRIPTION OF REVISIONS | BY | CHKD | DATE | COUNT | DESCRIPTION OF REVISIONS | BY | CHKD | DATE | |
| △ | | | | .. | △ | | | | .. | |
| △ | | | | .. | △ | | | | .. | |
| △ | | | | .. | △ | | | | .. | |



- NOTES
1. USE ONLY FOR INSPECTION OF CONTINUITY AND OF VOLTAGE PROOF ETC. FOR CABLE ASSEMBLY. BECAUSE OF NO LOCKING DEVICE.
 2. MATED CONNECTOR SHALL BE INSERTED AND WITHDRAWN PERPENDICULARLY BECAUSE OF NO SCOOP-PROOF.

| 2 | PTFE | | | | |
|-------------------------------|-----------------|-----------------|--------------|------------------|-----------------|
| 1 | STAINLESS STEEL | NICKEL PLATED | 3 | BERYLLIUM COPPER | GOLD PLATED |
| NO. | MATERIAL | FINISH, REMARKS | NO. | MATERIAL | FINISH, REMARKS |
| CODE NO. (OLD) | | | DRAWN | DESIGNED | CHECKED |
| | | | M.NAGASHIMA | M.NAGASHIMA | H. Shimizu |
| | | | '94.5.19 | '94.5.19 | '94.5.21 |
| | | | | | APPROVED |
| | | | | | F. Kobayashi |
| | | | | | '94.5.23 |
| | | | | | RELEASED |
| | | | | | |
| DRAWING NO. | | | PART NO. | | |
| EDC4-047432 | | | H. FL-R-1 | | |
| UNITS | | | CODE NO. | | |
| mm | | | CL331-0516-6 | | |
| HRS HIROSE ELECTRIC CO., LTD. | | | 1/1 | | |

TO
RF

X-ON Electronics

Largest Supplier of Electrical and Electronic Components

Click to view similar products for [RF Connectors / Coaxial Connectors](#) category:

Click to view products by [Hirose](#) manufacturer:

Other Similar products are found below :

[8915-1511-000](#) [89674-0827](#) [6001-7071-019](#) [6002-7051-003](#) [6002-7551-202](#) [6059674-1](#) [619550-1](#) [630059-000](#) [M39030/3-01N](#) [6500-7071-046](#) [6769](#) [CX050L2AQ](#) [7002-1542-011](#) [7004-1512-000](#) [7009-1511-004](#) [7010-1511-000](#) [7029-1511-060](#) [7101-1541-010](#) [7101-1571-002](#) [7105-1521-002](#) [7145-1521-002](#) [7203-1571-003](#) [7209-1511-011](#) [7210-1511-015](#) [7210-1511-019](#) [73137-5015](#) [73216-2241](#) [7325-1512-000](#) [73404-2300](#) [7405-1521-005](#) [7405-1521-802](#) [7406-1521-005](#) [8527](#) [8547](#) [FS11V](#) [8808-1511-001](#) [9049-9513-000](#) [9074-9513-000](#) [9101-9573-002](#) [910A205F](#) [9130-9573-002](#) [PL11SC-026](#) [PL375-33](#) [PL40-5](#) [PL71-9](#) [PL74C-221](#) [PL75MC-217](#) [PL803-7](#) [980-8666-005](#) [1200690078](#)