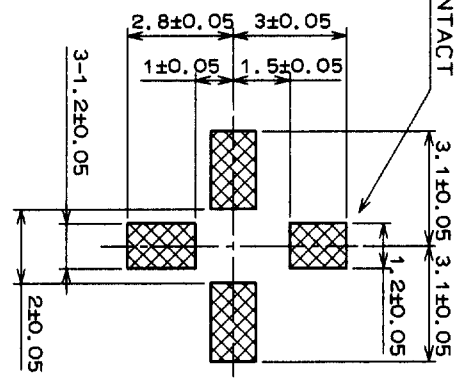
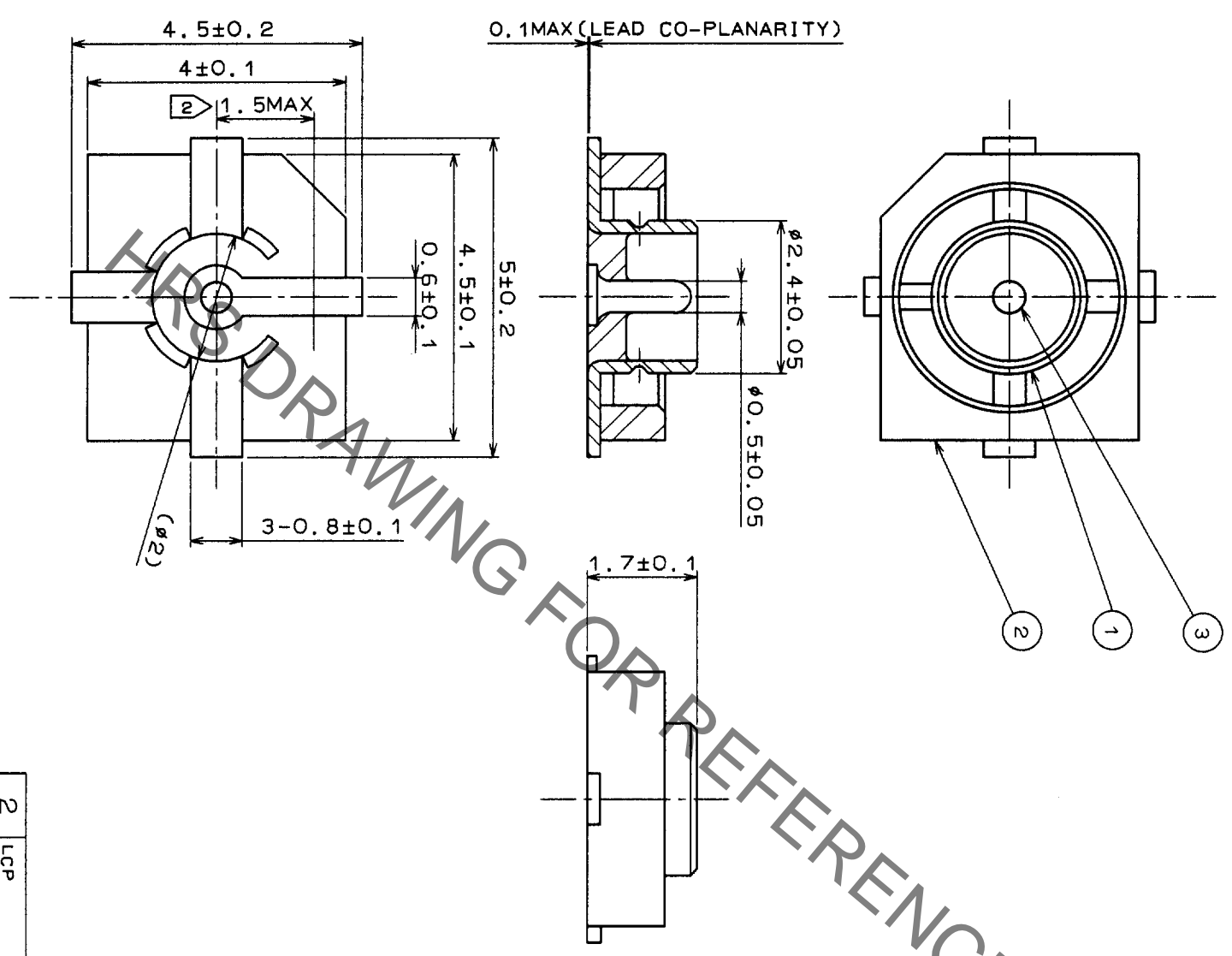


NO.	DESCRIPTION OF REVISIONS	BY	CHKD	DATE	NO.	DESCRIPTION OF REVISIONS	BY	CHKD	DATE
1									
2									
3									
4									
5									
6									
7									
8									



RECOMMENDED PC BOARD PAD PATTERN (5:1)

FOR CENTER CONTACT

NOTES 1 THE QUANTITY OF H.FL-R-SMT(01) IS 100 CONNECTORS PER PACK.

2 THIS DIMENSION SHOWS THE ALLOWABLE RANGE THAT THE RESIN IS PUT OVER THE CENTER CONTACT.

2	LCP	(BLACK) UL94V-0	3	BRASS	GOLD PLATING 0.2μm MIN OVER NICKEL PLATED 1.27μm MIN
1	PHOSPHOR BRONZE	SILVER PLATING 2μm MIN			
NO. MATERIAL		FINISH, REMARKS		FINISH, REMARKS	
CODE NO. (OLD)		DRAWN		APPROVED	
		DESIGNED		RELEASED	
		CHECKED			
SCALE 10:1		DRAWING NO. EDC3-046538-01		PART NO. H.FL-R-SMT(01)	
UNITS mm		DRAWN J. Okawa 97.4.9		DESIGNED N. Niinomiya 97.4.9	
HRS HIROSE ELECTRIC CO., LTD.		CHECKED J. Matsuda 97.4.10		APPROVED K. Kobayashi 97.4.15	
		CODE NO. CL331-0521-6-01			

TO	RF	USA
----	----	-----

X-ON Electronics

Largest Supplier of Electrical and Electronic Components

Click to view similar products for [RF Connectors / Coaxial Connectors](#) category:

Click to view products by [Hirose](#) manufacturer:

Other Similar products are found below :

[8915-1511-000](#) [89674-0827](#) [6001-7071-019](#) [6002-7051-003](#) [6002-7551-202](#) [6059674-1](#) [619550-1](#) [630059-000](#) [M39030/3-01N](#) [6500-7071-046](#) [6769](#) [CX050L2AQ](#) [7002-1542-011](#) [7004-1512-000](#) [7009-1511-004](#) [7010-1511-000](#) [7029-1511-060](#) [7101-1541-010](#) [7101-1571-002](#) [7105-1521-002](#) [7145-1521-002](#) [7203-1571-003](#) [7209-1511-011](#) [7210-1511-015](#) [7210-1511-019](#) [73137-5015](#) [73216-2241](#) [7325-1512-000](#) [73404-2300](#) [7405-1521-005](#) [7405-1521-802](#) [7406-1521-005](#) [8527](#) [8547](#) [FS11V](#) [8808-1511-001](#) [9049-9513-000](#) [9074-9513-000](#) [9101-9573-002](#) [910A205F](#) [9130-9573-002](#) [PL11SC-026](#) [PL375-33](#) [PL40-5](#) [PL71-9](#) [PL74C-221](#) [PL75MC-217](#) [PL803-7](#) [980-8666-005](#) [1200690078](#)