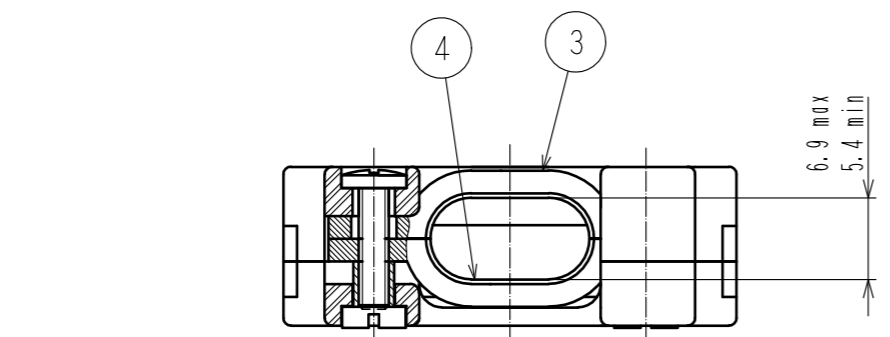
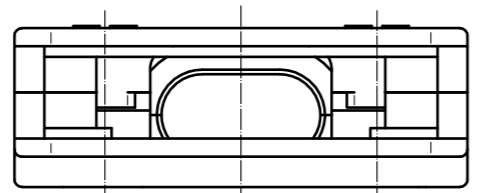
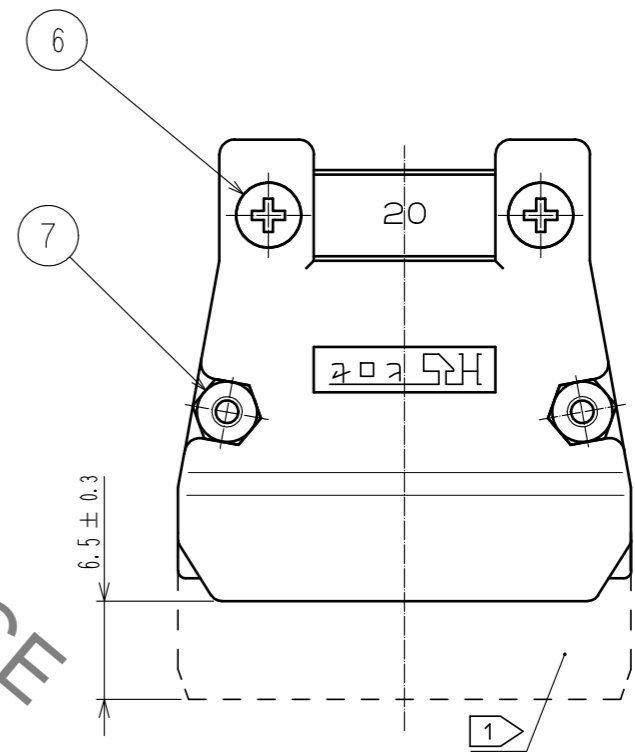
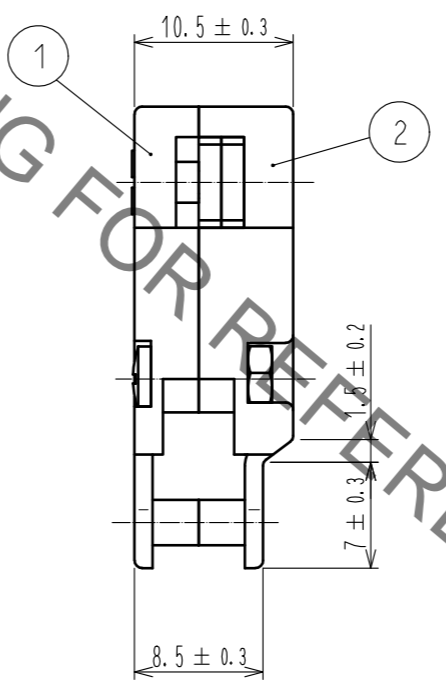
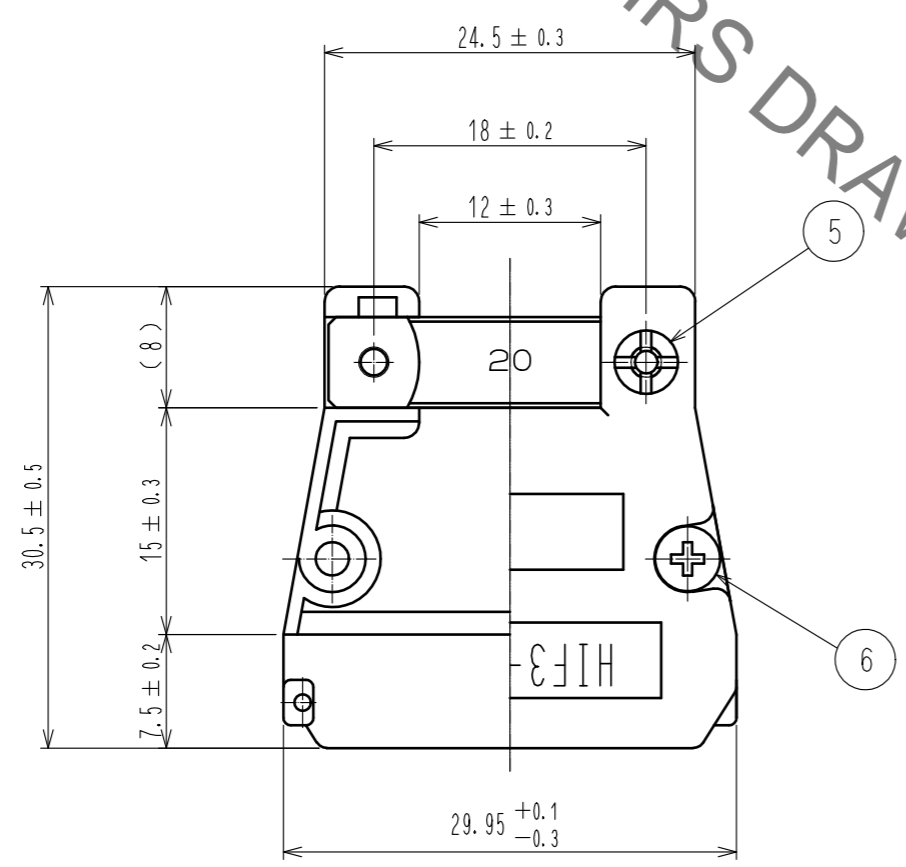


Sep.1.2021 Copyright 2021 HIROSE ELECTRIC CO., LTD. All Rights Reserved.
In case of consideration for using Automotive equipment / device which demand high reliability, kindly contact our sales window correspondents.



- Notes
- 1 Applicable housing to the Cover Case shall be as following. HIF3BA-20D-2.54C
 - 2 Pack part 3-7 in one bag. The bag, case(A) and (B) are to be packed together.
 - 3 The dimensions in parentheses are for reference.
 - 4 This product does not accept a pin header with F type lock as a corresponding connector.



HRS DRAWING FOR REFERENCE

NO.	MATERIAL	FINISH .	REMARKS	NO.	MATERIAL	FINISH .	REMARKS
4	STEEL		NICKEL PLATING	7	BRASS		NICKEL PLATING, M2 NUT
3	STEEL		NICKEL PLATING	6	BRASS		NICKEL PLATING M2, L=8, SELF-BINDING SCREW
2	ABS	BLACK	UL94V-0	5	BRASS		NICKEL PLATING
1	ABS	BLACK	UL94V-0				

UNITS	SCALE	COUNT	DESCRIPTION OF REVISIONS	DESIGNED	CHECKED	DATE
mm	2 : 1	△				
APPROVED : HT. YAMAGUCHI			18.08.02	DRAWING NO. EDC-016701-72-23		
CHECKED : HT. YAMAGUCHI			18.08.02	PART NO. HIF3-20CV<72>		
DESIGNED : TM. NAKAJIMA			18.08.01	CODE NO. CL562-0201-0-72		
DRAWN : MK. OOKI			18.07.31	1/1		

X-ON Electronics

Largest Supplier of Electrical and Electronic Components

Click to view similar products for [Headers & Wire Housings](#) category:

Click to view products by [Hirose](#) manufacturer:

Other Similar products are found below :

[892-18-020-10-001101](#) [58102-G61-06LF](#) [582553-1](#) [0009485154](#) [009176003701906](#) [0050291907](#) [LY20-4P-DT1-P1E-BR](#) [02.125.8002.8](#)
[609-3404](#) [61062-3](#) [622-0430](#) [622-3653LF](#) [63453-116](#) [636-1030](#) [636-1427](#) [636-3427](#) [636-4007](#) [641938-9](#) [641991-4](#) [644827-2](#) [65817-010LF](#)
[65817-015LF](#) [65863-015LF](#) [66207-023LF](#) [67095-007LF](#) [67601157](#) [68648-049](#) [70.362.1628.0](#) [70-4210](#) [70-4226B](#) [70-4853B](#) [707-5020](#) [707-5028](#) [71.350.2428.0](#) [71918-208LF](#) [71961-016LF](#) [733-134](#) [733-162](#) [754199-000](#) [760-3052](#) [787-8014-00](#) [79531-3000](#) [FCN-360C032-B](#) [FCN-367T-T012/H](#) [FCN-723D010/2](#) [80.063.4001.1](#) [800-90-001-10-001000](#) [800-90-010-10-002000](#) [801-43-002-10-013000](#) [801-43-006-10-002000](#)