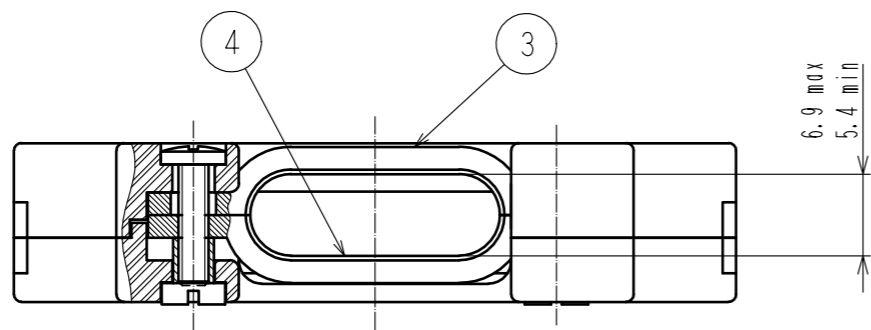
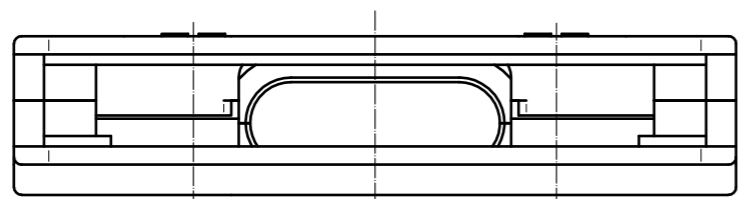
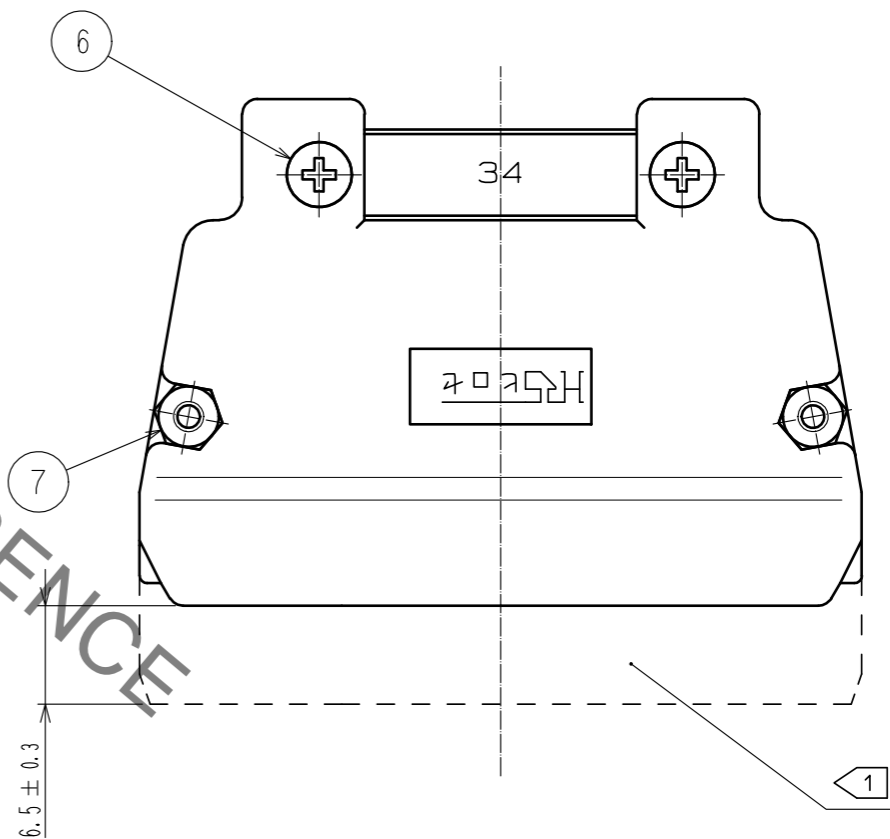
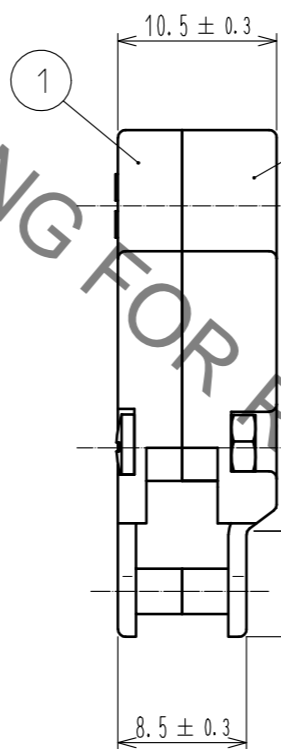
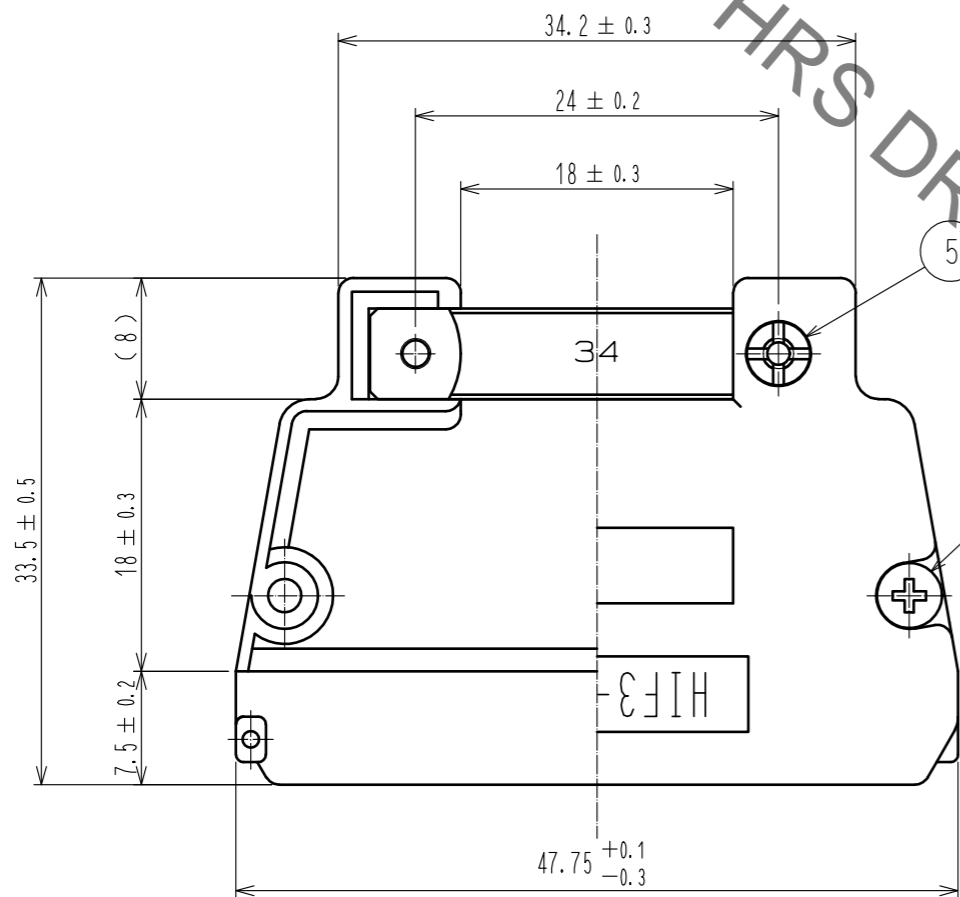


Sep.1.2021 Copyright 2021 HIROSE ELECTRIC CO., LTD. All Rights Reserved.
In case of consideration for using Automotive equipment / device which demand high reliability, kindly contact our sales window correspondents.



- Notes
- 1 Applicable housing to the Cover Case.
HIF3BA-34D-2.54C
 - 2 Pack part 3-7 in one bag. The bag, case(A) and (B) are to be packed together.
 - 3 The dimensions in parentheses are for reference.
 - 4 This product does not accept a pin header with F type lock as a corresponding connector.



NO.	MATERIAL	FINISH .	REMARKS	NO.	MATERIAL	FINISH .	REMARKS
4	STEEL	NICKEL PLATING		7	BRASS	NICKEL PLATING.	M2 NUT
3	STEEL	NICKEL PLATING		6	BRASS	NICKEL PLATING	M2. L=8. SELF-BINDING SCREW
2	ABS	BLACK	UL94V-0	5	BRASS	NICKEL PLATING	
1	ABS	BLACK	UL94V-0				

UNITS	SCALE	COUNT	DESCRIPTION OF REVISIONS	DESIGNED	CHECKED	DATE
mm	2 : 1	1	DIS-F-00003539	TM. NAKAJIMA	HT. YAMAGUCHI	18. 08. 02
APPROVED : HS. OKAWA			12. 09. 11	DRAWING NO. EDC3-016704-72		
CHECKED : HT. YAMAGUCHI			12. 09. 11	PART NO. HIF3-34CV<72>		
DESIGNED : KJ. NISHIWAKI			12. 09. 11	CODE NO. CL562-0204-8-72		
DRAWN : CR. TAKESHIMA			12. 09. 11	1/1		

X-ON Electronics

Largest Supplier of Electrical and Electronic Components

Click to view similar products for [I/O Connectors](#) category:

Click to view products by [Hirose](#) manufacturer:

Other Similar products are found below :

[571763P](#) [58098-0628](#) [72.250.1628.2](#) [72.250.2428.2](#) [74720-0505](#) [76.350.0729.0](#) [76871-1403](#) [FCN-244F080-G/1](#) [FCN-260A9920](#) [PCR-E36PM](#) [PCS-XE26MA+](#) [G38A71314B](#) [1571250010](#) [157-22500-3](#) [MS3471L14-19P L/C](#) [192991-0703](#) [172501-4002](#) [172501-6002](#) [FCN-260C008-A/L0](#) [FCN-260C024-AL0](#) [FCN-261Z008](#) [2000314-1](#) [200331-1](#) [PCR-E36FC+](#) [PCS-E28FS+](#) [PCS-XE26SLFD+](#) [PCS-XE26SLFDT+](#) [G730VID08BDC24](#) [U90B2054081210](#) [UE86K842720321](#) [38113800006](#) [DP3AR020WQ1R200](#) [Z4.102.0680.0](#) [500-1040](#) [500-1052](#) [500-1054](#) [ZP-4008-66L](#) [0709821002](#) [DX40-20P\(55\)](#) [5554841-1](#) [MS3474W18-8P-LC*](#) [SM3106F14S-7S-LC](#) [U90B3054061110](#) [U65-E04-4020](#) [ZPF000000000097891](#) [557-262M2-06C](#) [747360449](#) [10099439-003C-TRLF](#) [10137239-0021LF](#) [E9320-001-01](#)