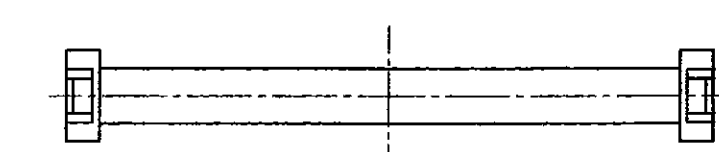
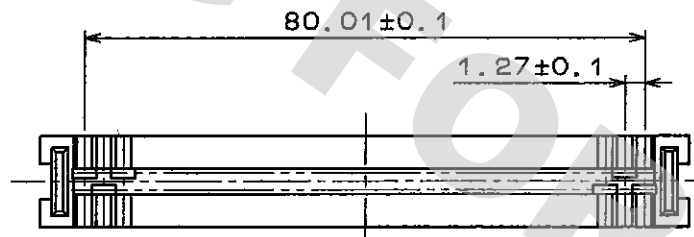
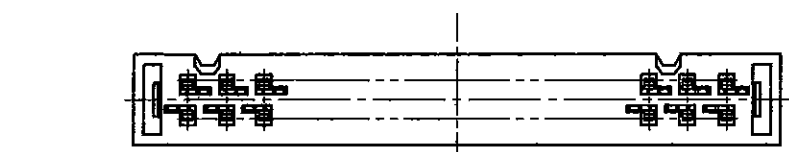
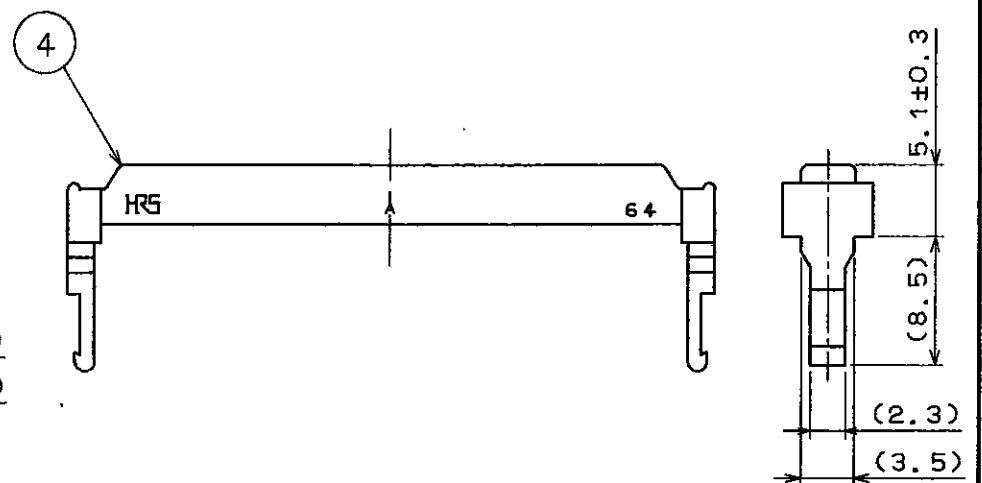
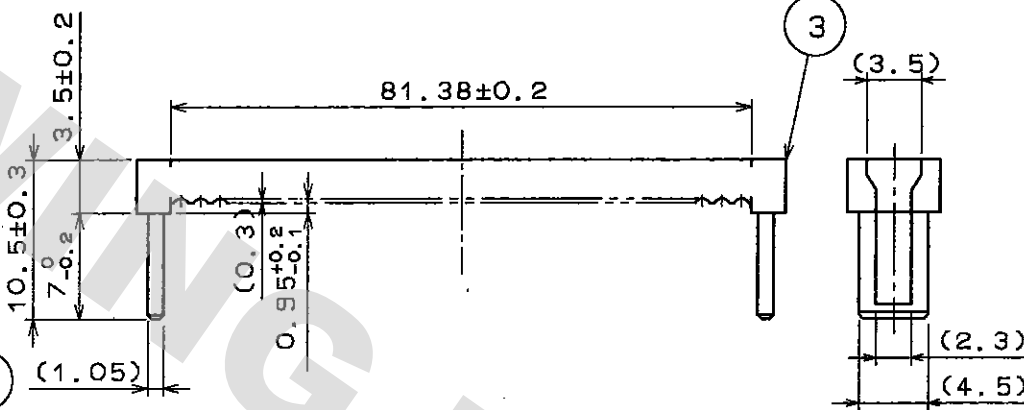
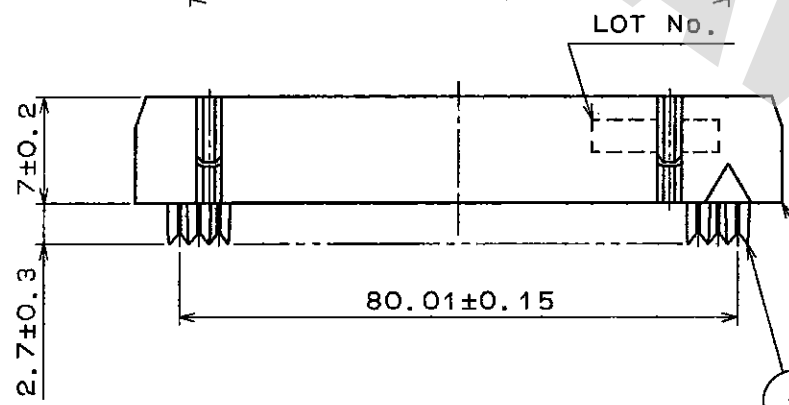
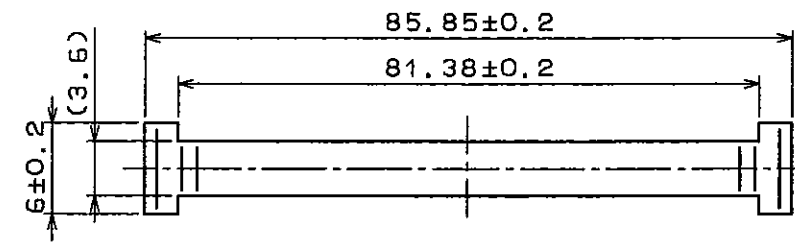
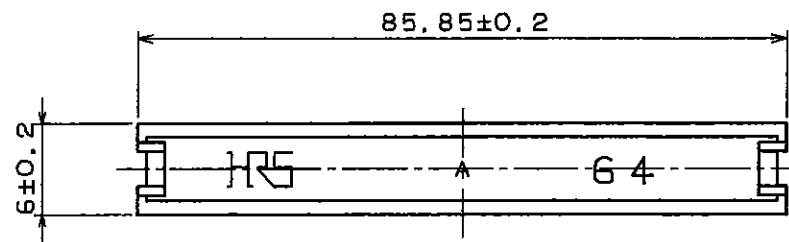
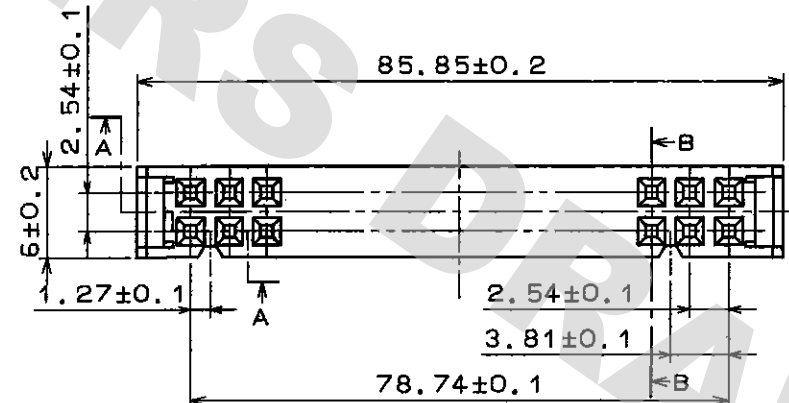


| COUNT | DESCRIPTION OF REVISIONS | BY | CHKD | DATE | COUNT | DESCRIPTION OF REVISIONS | BY | CHKD | DATE |
|-------|--------------------------|----|------|------|-------|--------------------------|----|------|------|
|       |                          |    |      |      |       |                          |    |      |      |
|       |                          |    |      |      |       |                          |    |      |      |
|       |                          |    |      |      |       |                          |    |      |      |

BODY

PROTECTOR

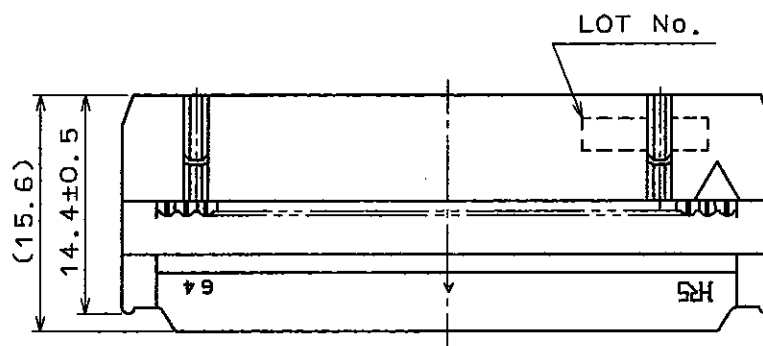
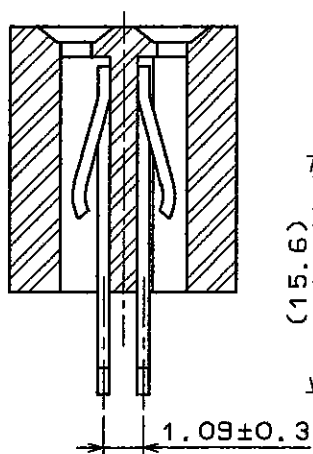
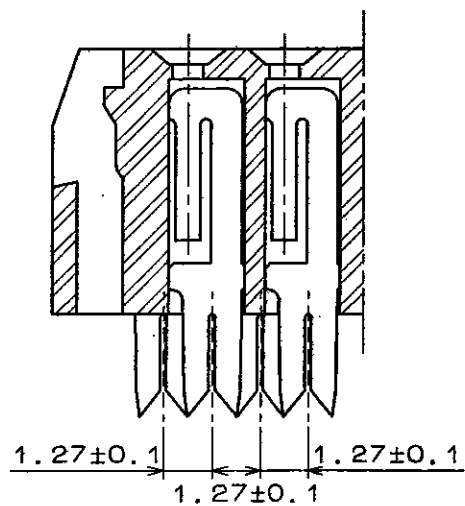
CLAMP



AA (5:1)

BB (5:1)

ASSEMBLY FIGURE



|                |                  |  |              |              |                 |          |
|----------------|------------------|--|--------------|--------------|-----------------|----------|
| 1              | BERYLLIUM COPPER | CONTACT AREA: GOLD 0.2μm<br>OTHER AREA: GOLD (FLASH)<br>UNDER PLATED: NICKEL | 2-4          | PBT          | BLACK           | UL94V-0  |
| NO.            | MATERIAL         | FINISH, REMARKS  | NO.          | MATERIAL     | FINISH, REMARKS |          |
| CODE NO. (OLD) | DRAWN            |  | DESIGNED     | CHECKED      | APPROVED        | RELEASED |
|                | H. Tamematsu     |  | H. Tamematsu | M. Yamaguchi | M. Yamaguchi    |          |
|                | 95.10.16         |  | 95.10.16     | 95.10.17     | 95.10.17        |          |

|               |                                  |                             |
|---------------|----------------------------------|-----------------------------|
| SCALE<br>FREE | DRAWING NO.<br>EDC3-017334       | PART NO.<br>HIF3B-64D-2.54R |
| UNITS<br>mm   | HRS<br>HIROSE ELECTRIC CO., LTD. | CODE NO.<br>CL610-0011-3    |

DRAWING FOR REFERENCE: This is subject to change without notice  
08/11/2012

|     |
|-----|
| TO  |
| PCK |
|     |
|     |

## X-ON Electronics

Largest Supplier of Electrical and Electronic Components

*Click to view similar products for [Headers & Wire Housings](#) category:*

*Click to view products by [Hirose](#) manufacturer:*

Other Similar products are found below :

[892-18-020-10-001101](#) [58102-G61-06LF](#) [582553-1](#) [0009485154](#) [009176003701906](#) [0050291907](#) [LY20-4P-DT1-P1E-BR](#) [02.125.8002.8](#)  
[609-3404](#) [61062-3](#) [622-0430](#) [622-3653LF](#) [63453-116](#) [636-1030](#) [636-1427](#) [636-3427](#) [636-4007](#) [641938-9](#) [641991-4](#) [644827-2](#) [65817-010LF](#)  
[65817-015LF](#) [65863-015LF](#) [66207-023LF](#) [67095-007LF](#) [67601157](#) [68648-049](#) [70.362.1628.0](#) [70-4210](#) [70-4226B](#) [70-4853B](#) [707-5020](#) [707-5028](#) [71.350.2428.0](#) [71918-208LF](#) [71961-016LF](#) [733-134](#) [733-162](#) [754199-000](#) [760-3052](#) [787-8014-00](#) [79531-3000](#) [FCN-360C032-B](#) [FCN-367T-T012/H](#) [FCN-723D010/2](#) [80.063.4001.1](#) [800-90-001-10-001000](#) [800-90-010-10-002000](#) [801-43-002-10-013000](#) [801-43-006-10-002000](#)