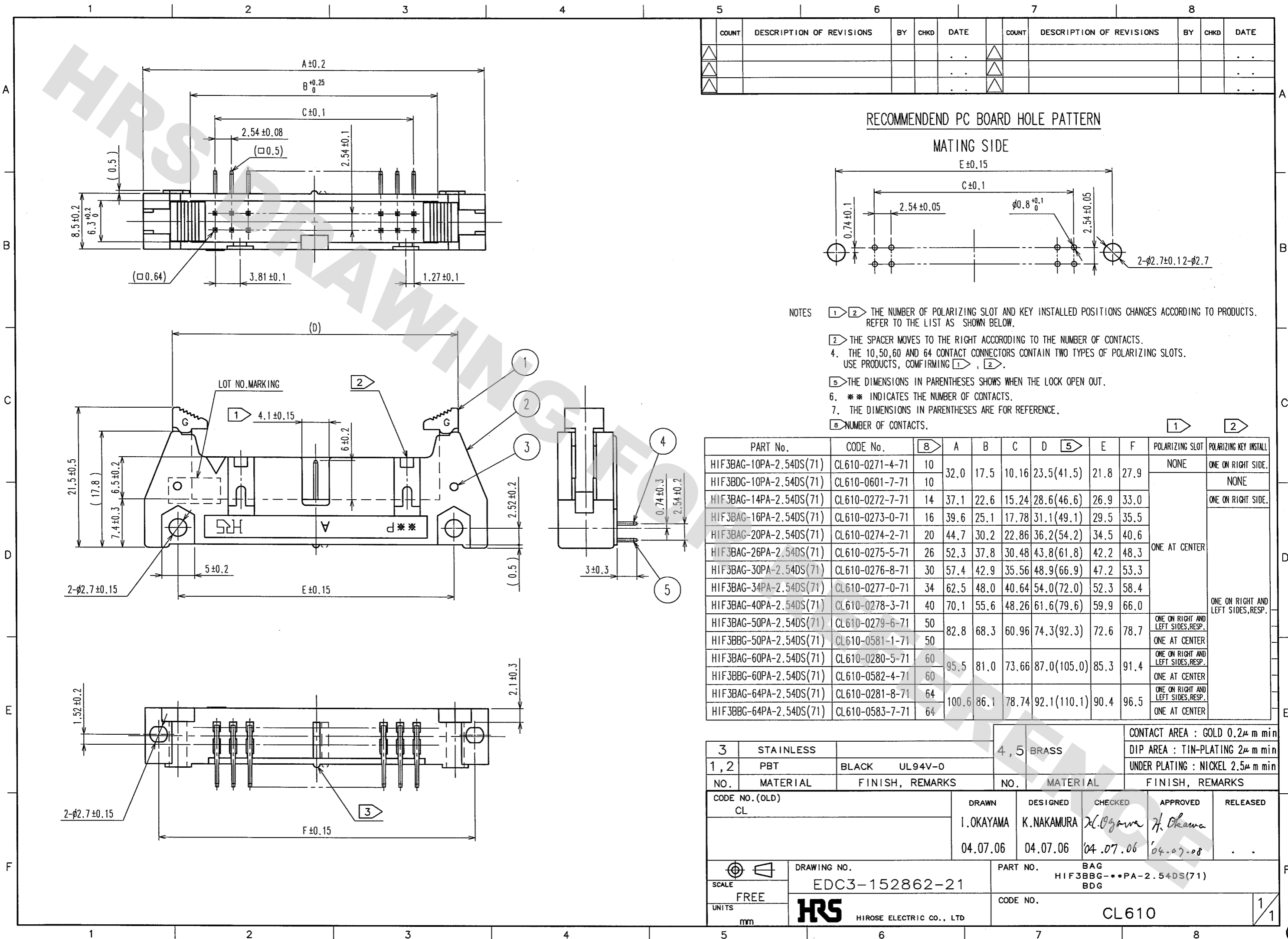
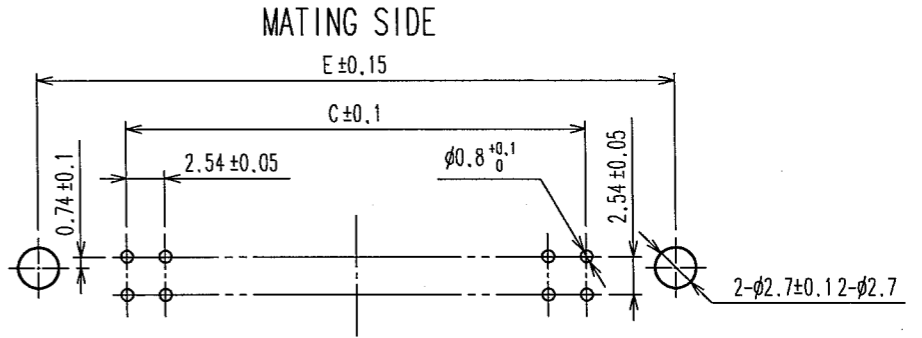


DRAWING FOR REFERENCE: This is subject to change without notice
08/11/2012



COUNT	DESCRIPTION OF REVISIONS	BY	CHKD	DATE	COUNT	DESCRIPTION OF REVISIONS	BY	CHKD	DATE

RECOMMEND PC BOARD HOLE PATTERN



- NOTES
- 1 2 THE NUMBER OF POLARIZING SLOT AND KEY INSTALLED POSITIONS CHANGES ACCORDING TO PRODUCTS. REFER TO THE LIST AS SHOWN BELOW.
 - 2 THE SPACER MOVES TO THE RIGHT ACCORDING TO THE NUMBER OF CONTACTS.
 - 4. THE 10, 50, 60 AND 64 CONTACT CONNECTORS CONTAIN TWO TYPES OF POLARIZING SLOTS. USE PRODUCTS, CONFIRMING 1, 2.
 - 5 THE DIMENSIONS IN PARENTHESES SHOWS WHEN THE LOCK OPEN OUT.
 - 6. ** INDICATES THE NUMBER OF CONTACTS.
 - 7. THE DIMENSIONS IN PARENTHESES ARE FOR REFERENCE.
 - 8 NUMBER OF CONTACTS.

PART No.	CODE No.	8	A	B	C	D	5	E	F	POLARIZING SLOT	POLARIZING KEY INSTALL
HIF3BAG-10PA-2.54DS(71)	CL610-0271-4-71	10	32.0	17.5	10.16	23.5(41.5)	21.8	27.9		NONE	ONE ON RIGHT SIDE.
HIF3BDG-10PA-2.54DS(71)	CL610-0601-7-71	10									NONE
HIF3BAG-14PA-2.54DS(71)	CL610-0272-7-71	14	37.1	22.6	15.24	28.6(46.6)	26.9	33.0			ONE ON RIGHT SIDE.
HIF3BAG-16PA-2.54DS(71)	CL610-0273-0-71	16	39.6	25.1	17.78	31.1(49.1)	29.5	35.5			ONE AT CENTER
HIF3BAG-20PA-2.54DS(71)	CL610-0274-2-71	20	44.7	30.2	22.86	36.2(54.2)	34.5	40.6			ONE AT CENTER
HIF3BAG-26PA-2.54DS(71)	CL610-0275-5-71	26	52.3	37.8	30.48	43.8(61.8)	42.2	48.3			ONE AT CENTER
HIF3BAG-30PA-2.54DS(71)	CL610-0276-8-71	30	57.4	42.9	35.56	48.9(66.9)	47.2	53.3			ONE AT CENTER
HIF3BAG-34PA-2.54DS(71)	CL610-0277-0-71	34	62.5	48.0	40.64	54.0(72.0)	52.3	58.4			ONE ON RIGHT AND LEFT SIDES, RESP.
HIF3BAG-40PA-2.54DS(71)	CL610-0278-3-71	40	70.1	55.6	48.26	61.6(79.6)	59.9	66.0			ONE ON RIGHT AND LEFT SIDES, RESP.
HIF3BAG-50PA-2.54DS(71)	CL610-0279-6-71	50	82.8	68.3	60.96	74.3(92.3)	72.6	78.7		ONE ON RIGHT AND LEFT SIDES, RESP.	ONE AT CENTER
HIF3BBG-50PA-2.54DS(71)	CL610-0581-1-71	50								ONE AT CENTER	
HIF3BAG-60PA-2.54DS(71)	CL610-0280-5-71	60	95.5	81.0	73.66	87.0(105.0)	85.3	91.4		ONE ON RIGHT AND LEFT SIDES, RESP.	ONE AT CENTER
HIF3BBG-60PA-2.54DS(71)	CL610-0582-4-71	60								ONE AT CENTER	
HIF3BAG-64PA-2.54DS(71)	CL610-0281-8-71	64	100.6	86.1	78.74	92.1(110.1)	90.4	96.5		ONE ON RIGHT AND LEFT SIDES, RESP.	ONE AT CENTER
HIF3BBG-64PA-2.54DS(71)	CL610-0583-7-71	64								ONE AT CENTER	

3	STAINLESS	4, 5	BRASS	CONTACT AREA : GOLD 0.2μm min		
1, 2	PBT	BLACK	UL94V-0	DIP AREA : TIN-PLATING 2μm min		
NO.	MATERIAL	FINISH, REMARKS	NO.	MATERIAL	FINISH, REMARKS	
CODE NO. (OLD)	CL	DRAWN	DESIGNED	CHECKED	APPROVED	RELEASED
		I. OKAYAMA	K. NAKAMURA	X. Ozawa	H. Okawa	
		04.07.06	04.07.06	04.07.06	04.07.08	
SCALE	FREE	DRAWING NO. EDC3-152862-21		PART NO. BAG HIF3BBG-***PA-2.54DS(71) BDG		
UNITS	mm	HRS HIROSE ELECTRIC CO., LTD		CODE NO.	CL610	

TO
PCK



X-ON Electronics

Largest Supplier of Electrical and Electronic Components

Click to view similar products for [Headers & Wire Housings](#) category:

Click to view products by [Hirose](#) manufacturer:

Other Similar products are found below :

[892-18-020-10-001101](#) [58102-G61-06LF](#) [582553-1](#) [0009485154](#) [009176003701906](#) [0050291907](#) [LY20-4P-DT1-P1E-BR](#) [02.125.8002.8](#)
[609-3404](#) [61062-3](#) [622-0430](#) [622-3653LF](#) [63453-116](#) [636-1030](#) [636-1427](#) [636-3427](#) [636-4007](#) [641938-9](#) [641991-4](#) [644827-2](#) [65817-010LF](#)
[65817-015LF](#) [65863-015LF](#) [66207-023LF](#) [67095-007LF](#) [67601157](#) [68648-049](#) [70.362.1628.0](#) [70-4210](#) [70-4226B](#) [70-4853B](#) [707-5020](#) [707-5028](#) [71.350.2428.0](#) [71918-208LF](#) [71961-016LF](#) [733-134](#) [733-162](#) [754199-000](#) [760-3052](#) [787-8014-00](#) [79531-3000](#) [FCN-360C032-B](#) [FCN-367T-T012/H](#) [FCN-723D010/2](#) [80.063.4001.1](#) [800-90-001-10-001000](#) [800-90-010-10-002000](#) [801-43-002-10-013000](#) [801-43-006-10-002000](#)