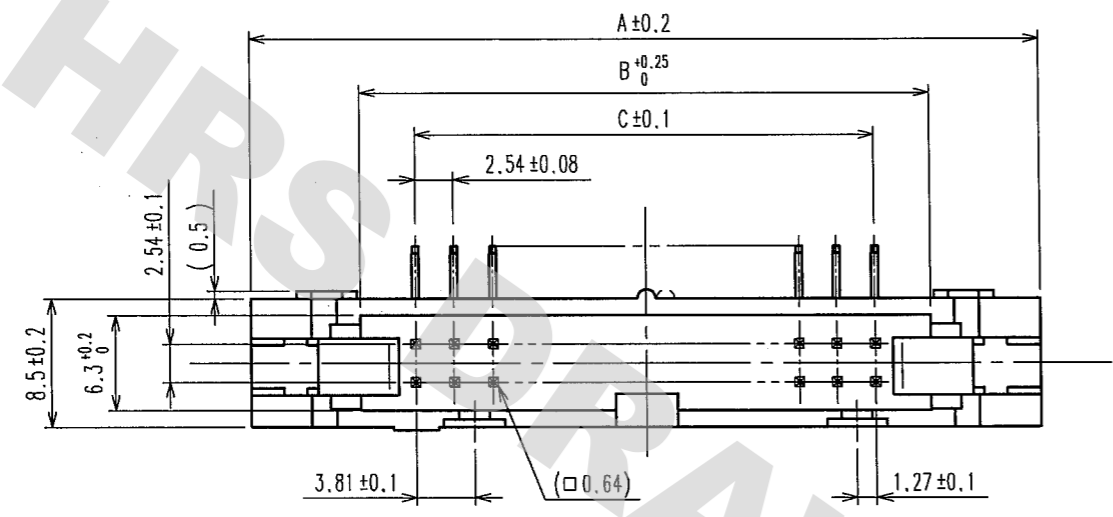


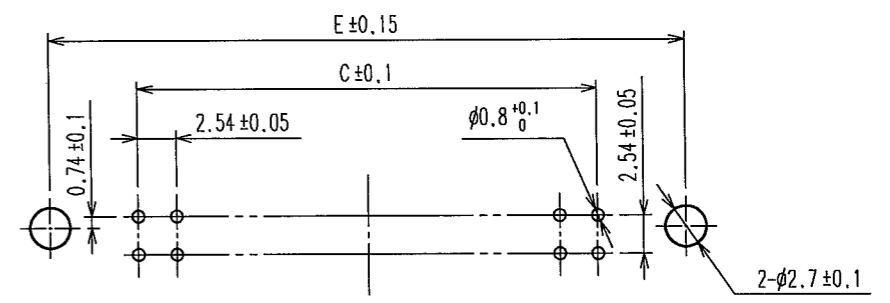
DRAWING FOR REFERENCE: This is subject to change without notice
08/11/2012

TO
PCK

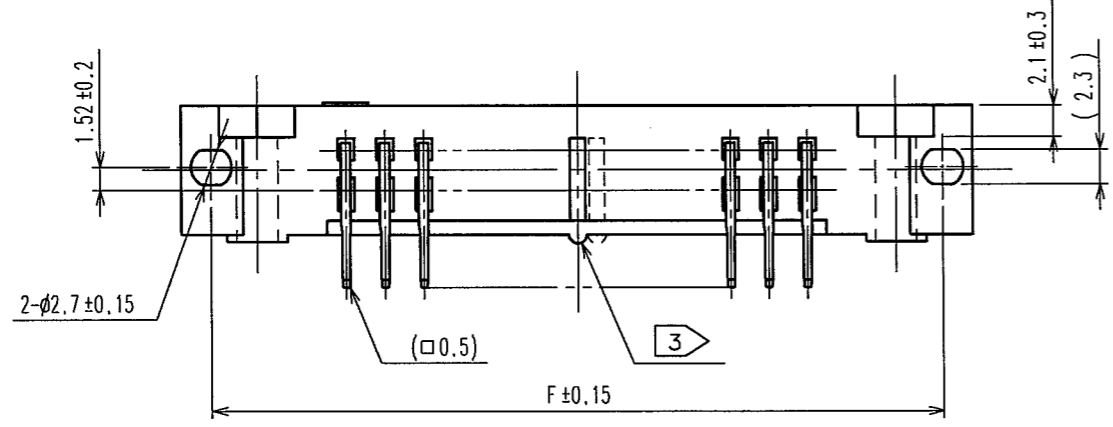
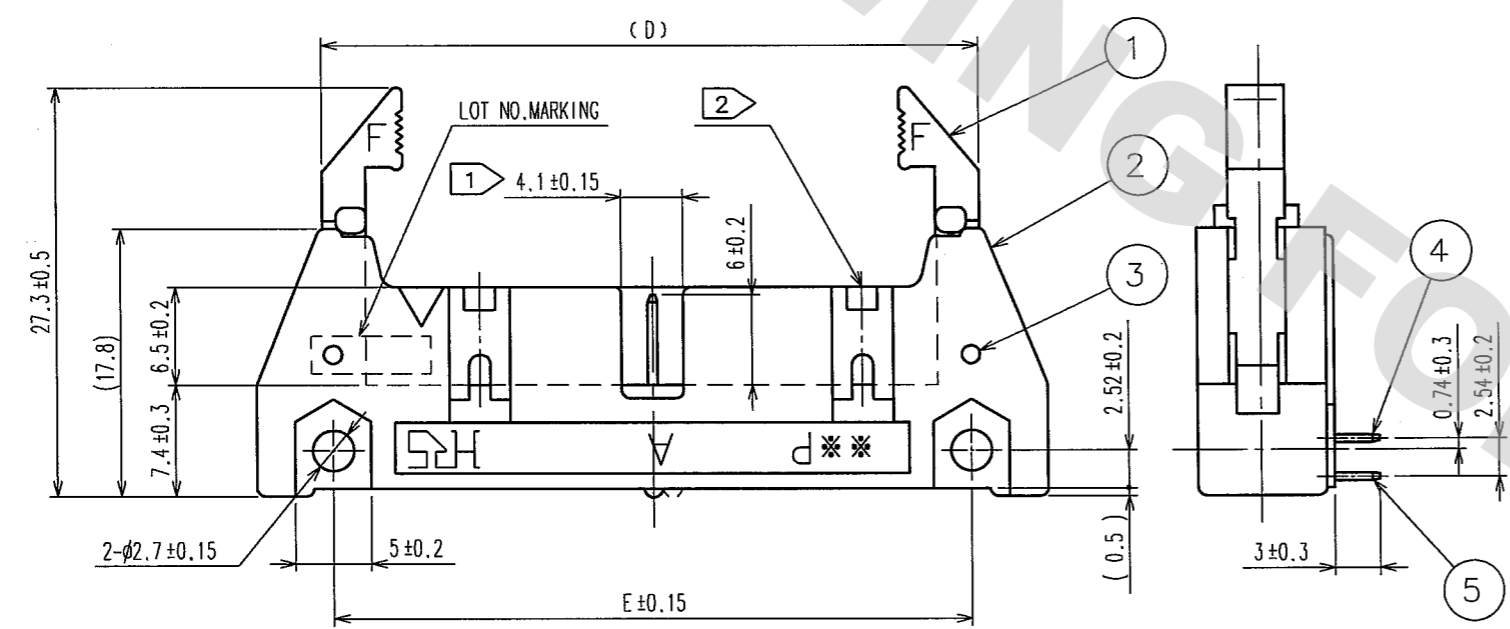
COUNT	DESCRIPTION OF REVISIONS	BY	CHKD	DATE	COUNT	DESCRIPTION OF REVISIONS	BY	CHKD	DATE



RECOMMEND PC BOARD HOLE PATTERN
MATING SIDE



- NOTES
- ①② THE NUMBER OF POLARIZING SLOT AND KEY INSTALLED POSITIONS CHANGES ACCORDING TO PRODUCTS. REFER TO THE LIST AS SHOWN BELOW.
 - ③ THE SPACER MOVES TO THE RIGHT ACCORDING TO THE NUMBER OF CONTACTS.
 - 4. THE 10, 50 AND 60 CONTACT CONNECTORS CONTAIN TWO TYPES OF POLARIZING SLOTS. USE PRODUCTS, CONFIRMING ①, ②.
 - ⑤ THE DIMENSIONS IN PARENTHESES SHOWS WHEN THE LOCK OPEN OUT.
 - 6. ** INDICATES THE NUMBER OF CONTACTS.
 - 7. THE DIMENSIONS IN PARENTHESES ARE FOR REFERENCE.
 - ⑧ NUMBER OF CONTACTS.



PART No.	CODE No.	⑧	A	B	C	D	⑤	E	F	POLARIZING SLOT	POLARIZING KEY INSTALL
HIF3BAF-10PA-2.54DS(71)	CL610-0231-0-71	10	32.0	17.5	10.16	23.7(41.7)	21.8	27.9		NONE	ONE ON RIGHT SIDE.
HIF3BDF-10PA-2.54DS(71)	CL610-0621-4-71	10									NONE
HIF3BAF-14PA-2.54DS(71)	CL610-0232-2-71	14	37.1	22.6	15.24	28.8(46.8)	26.9	33.0			ONE ON RIGHT SIDE.
HIF3BAF-16PA-2.54DS(71)	CL610-0233-5-71	16	39.6	25.1	17.78	31.4(49.4)	29.5	35.5			
HIF3BAF-20PA-2.54DS(71)	CL610-0234-8-71	20	44.7	30.2	22.86	36.4(54.4)	34.5	40.6			ONE AT CENTER
HIF3BAF-26PA-2.54DS(71)	CL610-0235-0-71	26	52.3	37.8	30.48	44.1(62.1)	42.2	48.3			
HIF3BAF-30PA-2.54DS(71)	CL610-0236-3-71	30	57.4	42.9	35.56	49.1(67.1)	47.2	53.3			
HIF3BAF-34PA-2.54DS(71)	CL610-0237-6-71	34	62.5	48.0	40.64	54.2(72.2)	52.3	58.4			
HIF3BAF-40PA-2.54DS(71)	CL610-0238-9-71	40	70.1	55.6	48.26	61.8(79.8)	59.9	66.0			ONE ON RIGHT AND LEFT SIDES, RESP.
HIF3BAF-50PA-2.54DS(71)	CL610-0239-1-71	50	82.8	68.3	60.96	74.5(92.5)	72.6	78.7			ONE ON RIGHT AND LEFT SIDES, RESP.
HIF3BBF-50PA-2.54DS(71)	CL610-0561-4-71	50									ONE AT CENTER
HIF3BAF-60PA-2.54DS(71)	CL610-0240-0-71	60	95.5	81.0	73.66	87.2(105.2)	85.3	91.4			ONE ON RIGHT AND LEFT SIDES, RESP.
HIF3BBF-60PA-2.54DS(71)	CL610-0562-7-71	60									ONE AT CENTER
HIF3BAF-64PA-2.54DS(71)	CL610-0241-3-71	64	100.6	86.1	78.74	92.3(110.3)	90.4	96.5			ONE ON RIGHT AND LEFT SIDES, RESP.

3	STAINLESS		4, 5	BRASS	CONTACT AREA : GOLD 0.2μm min
1, 2	PBT	BLACK UL94V-0			DIP AREA : TIN-PLATING 2μm min
					UNDER PLATING : NICKEL 2.5μm min
NO.	MATERIAL	FINISH, REMARKS	NO.	MATERIAL	FINISH, REMARKS

CODE NO. (OLD) CL	DRAWN I. OKAYAMA	DESIGNED K. NAKAMURA	CHECKED J. Ogawa	APPROVED H. Okawa	RELEASED .
	04.07.06	04.07.06	04.07.08	04.07.08	.

SCALE FREE	DRAWING NO. EDC3-154450-21	PART NO. BAF HIF3BBF-***PA-2.54DS(71) BDF	CODE NO. CL610	1/1
UNITS mm	HRS HIROSE ELECTRIC CO., LTD			



X-ON Electronics

Largest Supplier of Electrical and Electronic Components

Click to view similar products for [Headers & Wire Housings](#) category:

Click to view products by [Hirose](#) manufacturer:

Other Similar products are found below :

[892-18-020-10-001101](#) [58102-G61-06LF](#) [582553-1](#) [0009485154](#) [009176003701906](#) [0050291907](#) [LY20-4P-DT1-P1E-BR](#) [02.125.8002.8](#)
[609-3404](#) [61062-3](#) [622-0430](#) [622-3653LF](#) [63453-116](#) [636-1030](#) [636-1427](#) [636-3427](#) [636-4007](#) [641938-9](#) [641991-4](#) [644827-2](#) [65817-010LF](#)
[65817-015LF](#) [65863-015LF](#) [66207-023LF](#) [67095-007LF](#) [67601157](#) [68648-049](#) [70.362.1628.0](#) [70-4210](#) [70-4226B](#) [70-4853B](#) [707-5020](#) [707-5028](#) [71.350.2428.0](#) [71918-208LF](#) [71961-016LF](#) [733-134](#) [733-162](#) [754199-000](#) [760-3052](#) [787-8014-00](#) [79531-3000](#) [FCN-360C032-B](#) [FCN-367T-T012/H](#) [FCN-723D010/2](#) [80.063.4001.1](#) [800-90-001-10-001000](#) [800-90-010-10-002000](#) [801-43-002-10-013000](#) [801-43-006-10-002000](#)